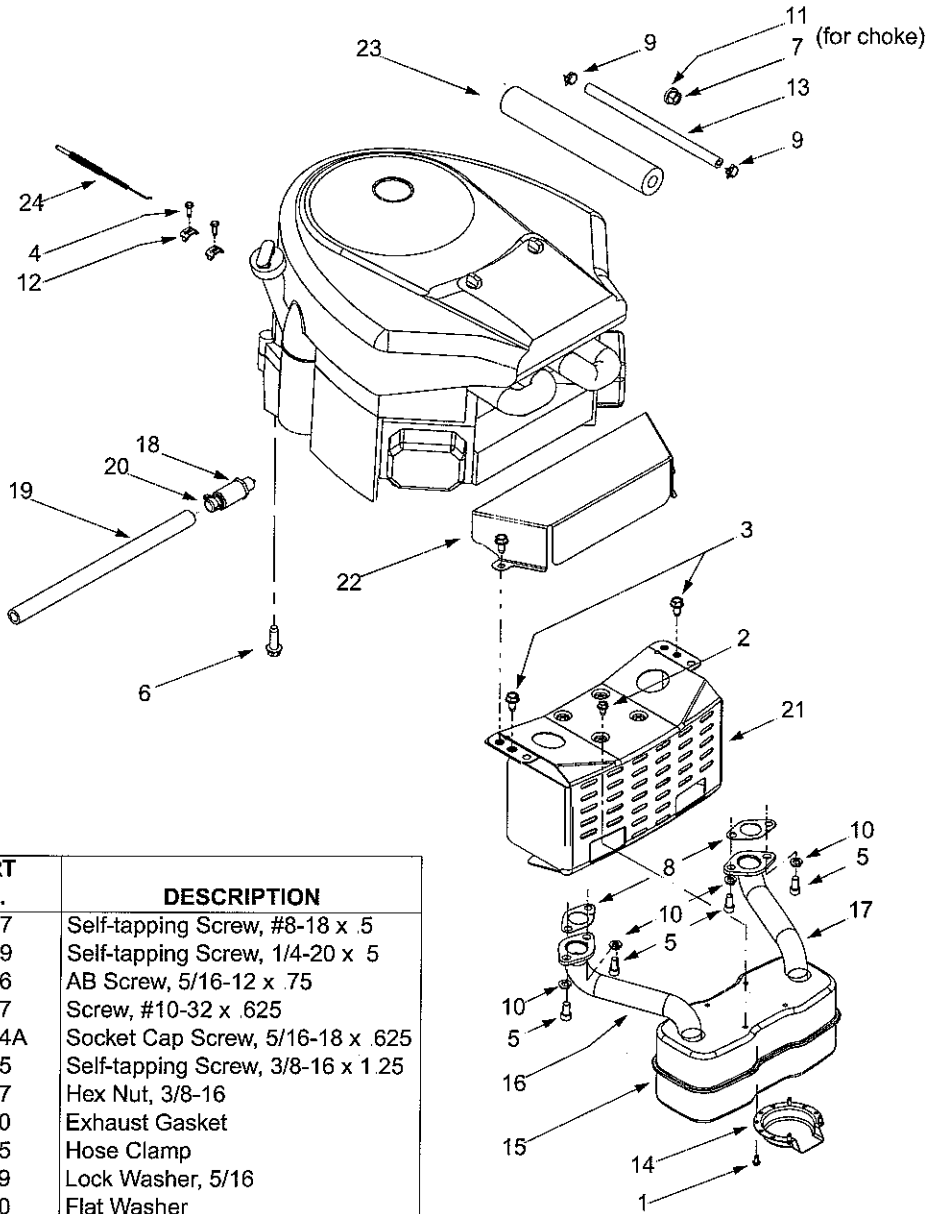
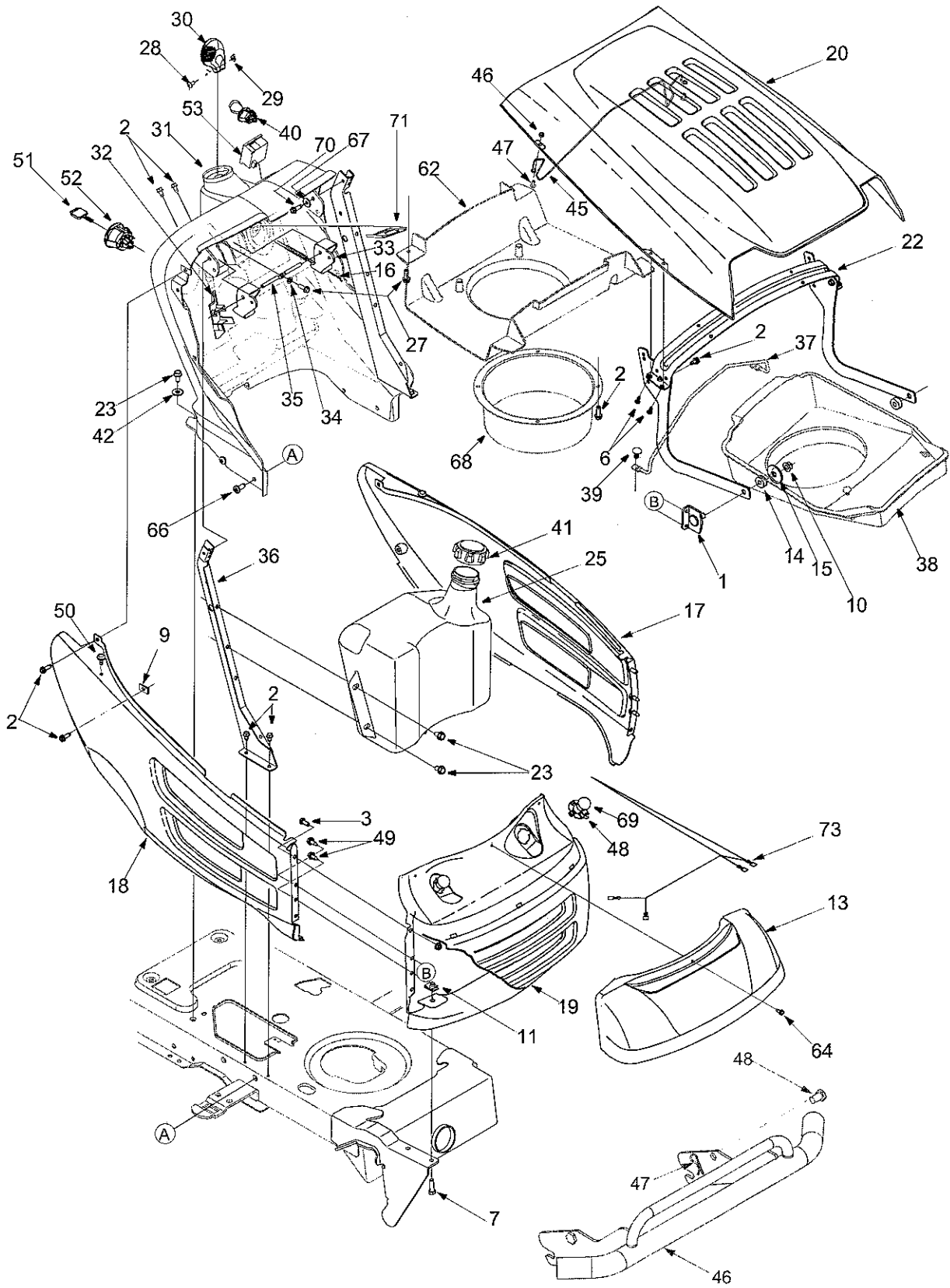


SECTION 12: PARTS LIST FOR MODELS 808H & 808K



REF. NO.	PART NO.	DESCRIPTION
1	710-0227	Self-tapping Screw, #8-18 x .5
2	710-0599	Self-tapping Screw, 1/4-20 x 5
3	710-0726	AB Screw, 5/16-12 x .75
4	710-1237	Screw, #10-32 x .625
5	710-1314A	Socket Cap Screw, 5/16-18 x .625
6	710-1315	Self-tapping Screw, 3/8-16 x 1.25
7	712-3017	Hex Nut, 3/8-16
8	721-0460	Exhaust Gasket
9	726-0205	Hose Clamp
10	736-0119	Lock Washer, 5/16
11	736-0300	Flat Washer
12	751B221535	Casing Clamp
13	751-0535	Fuel Line Hose
14	751-0564	Muffler Deflector
15	751-0616	Muffler, Twin Inlet
16	751-0650	RH Exhaust Pipe
17	751-0651	LH Exhaust Pipe
18	751-3140	Oil Drain Valve
19	751-3141	Oil Drain Hose
20	751-3142	Oil Drain Cap
21	783-0615B	Muffler Heat Shield
22	783-0625C	Engine Heat Shield
23	722-0263	Foam (fits over fuel line)
24	746-1086	Throttle Cable

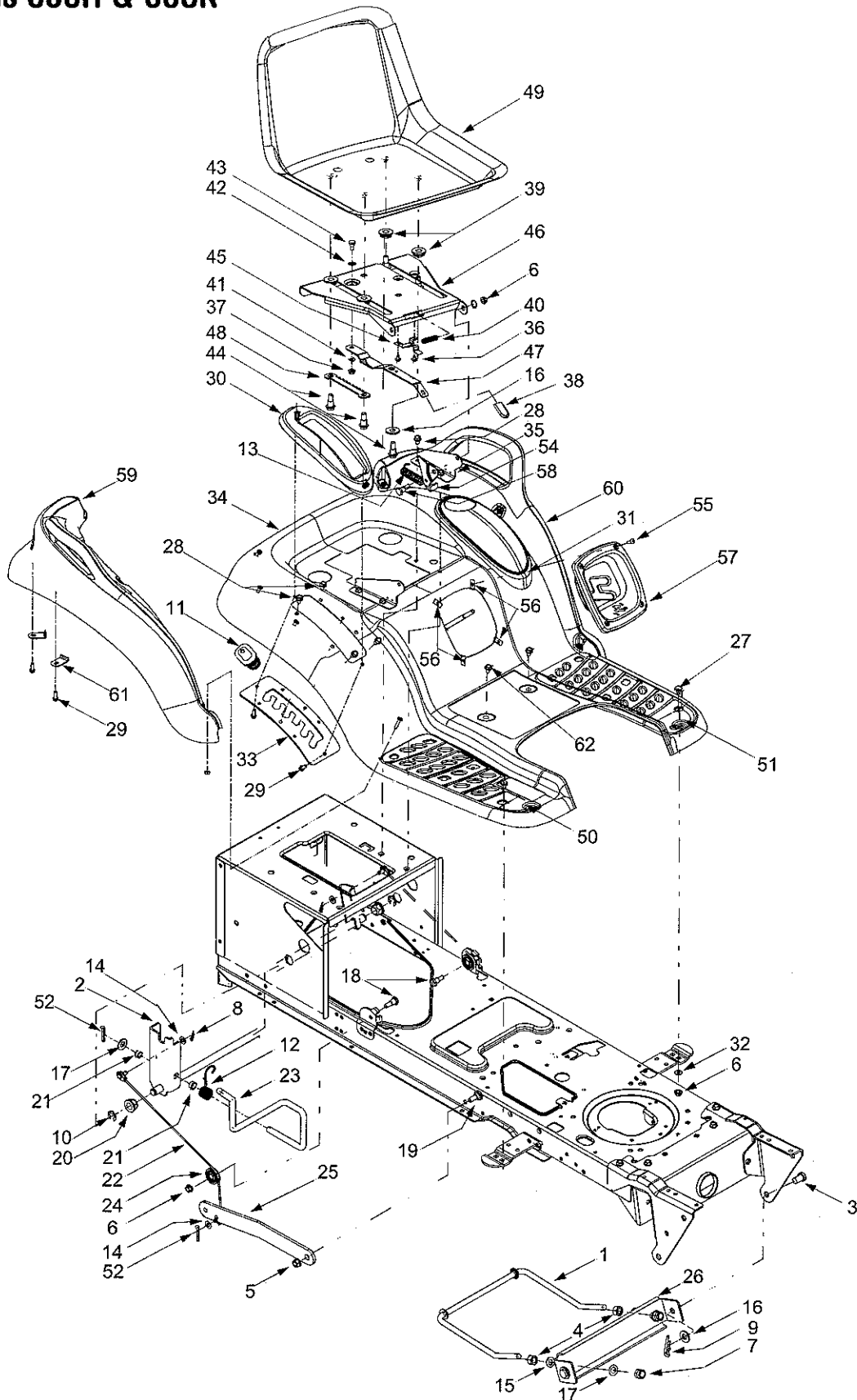
Models 808H & 808K



Models 808H & 808K

Ref. No.	Part No.	Description	Ref. No.	Part No.	Description
1	683-0195	Bracket Assembly	40	725-1752	Electric PTO Switch (if equipped)
2	710-0599	Self-tapping Screw, 1/4-20 x 5	41	712-3027	Hex Flange Lock Nut, 1/4-20
3	710-0751	Hex Cap Screw, 1/4-20 x 62	42	736-3078	Flat Washer, 349 x 1 0 x 063
4	710-0924	Phillips Pan Screw, 1/4-20 x .75	45	747-1215A	Hood Latch
6	710-0351	Screw, #10-16 x 5	46	712-0272	Hex Sems Nut, #10-32
7	710-0376	Hex Cap Screw, 5/16-18 x 1 0	47	710-0473	Machine Screw, #10-24
8	712-0271	Hex Sems Nut, 1/4-20	48	725-1649	Headlight Socket
9	712-0292	U-type Speed Nut, 1/4-20	49	710-0896	Hex Index Washer Scr , 1/4-14 x 0625
10	712-0431	Flange Lock Nut, 3/8-16			
11	726-0211	U-nut, 5/16-18	50	735-0199A	Rubber Bumper
13	731-1854A	Headlight Lens	51	725-1745	Ignition Key w/ plastic cover
14	735-0126	Rubber Washer, 87 x 33		725-1744	Ignition Key w/o plastic cover
15	736-3039	Flat Washer, 406 x 1.5 x 11GA	52	725-1741	Ignition Switch
16	746-1085	Choke Knob/Cable (B&S Twin)	53	725-1976	Systems Ind. Monitor w/ Hour Meter
	746-1088	Choke Knob/Cable (Kohler)		725-1758	Systems Ind. Monitor w/ Ammeter
17	783-0475B	LH Side Panel	58	711-0332	Clevis Pin, 50 x 78
18	783-0476C	RH Side Panel	59	768-0010A	Bumper Assembly
19	783-0477A	Grill	60	714-0145	Internal Cotter Pin
20	783-0478A	Hood	61	731-2300	Hood, Red
21	783-1495	Hood Hinge Bracket		731-2301	Hood, Green
22	783-0553A	Hood Support Bracket		731-2302	Hood, Black
23	710-0604A	Self-tapping Screw, 5/16-18 x .625		731-2303	Hood, Charcoal Grey
24	751-0658D	Fuel Tank, Three Gallon	62	731-2306	Hood Plenum
	751-0659C	Fuel Tank, Two Gallon (shown)	63	783-1034	Hood Bracket
25	751-0603	Fuel Cap (fits either tank)	64	710-0456	Hex Screw, #10 x 50
26	710-0809	Self-tapping Screw, 1/4-20 x 1.25	65	731-1999	Choke Plug
27	710-0895	Self-tapping Screw, 1/4-15 x .75	66	710-1611B	Screw, 5/16-18 x 75
28	710-3217	Truss Phillips Screw, #8-32 x 375	67	736-0270	Bell Washer, 265 x .75 x .062
29	712-0142	Hex Nut, #8-32	68	731-2232	Intake Bellow (Intek Single & kohler)
30	731-1857	Throttle Control Knob	69	725-0963	Lamp
31	731-2225C	Dash Panel (Models w/ Electric PTO)	70	710-0642	Self-tapping Screw, 1/4-20 x 75
	731-2122C	Dash Panel (Models w/ Manual PTO)	71	783-0462	Bracket: Elec. PTO Switch (if equipped)
32	731-2226	Cruise Control Button	72	629-0309	Headlight Wire Harness
	731-2228	Cruise Cover (Models w/o Cruise)	—	629-1067	Tractor Wire Harness (Models w/ Hour Meter & Electric PTO)
33	731-2227	Parking Brake Button	—	629-1068	Tractor Wire Harness (Kohler: Models with Hour Meter & Electric PTO)
34	736-0142	Flat Washer, 9/32 x 1/2 x 1/16	—	629-1071	Tractor Wire Harness (Models with Hour Meter & Manual PTO)
35	747-1196	Brake/Cruise Pivot Rod	—	629-1072	Tractor Wire Harness (Models with Ammeter & Manual PTO)
36	749-1087B	Dash Support Tube			
37	747-1184	Hood Plenum Support Rod			
38	731-2247A	Hood Plenum (B&S OHV V-Twin)			
	731-2248A	Hood Plenum (B&S Opposed Twin)			
39	726-3046	Ratchet Clip			

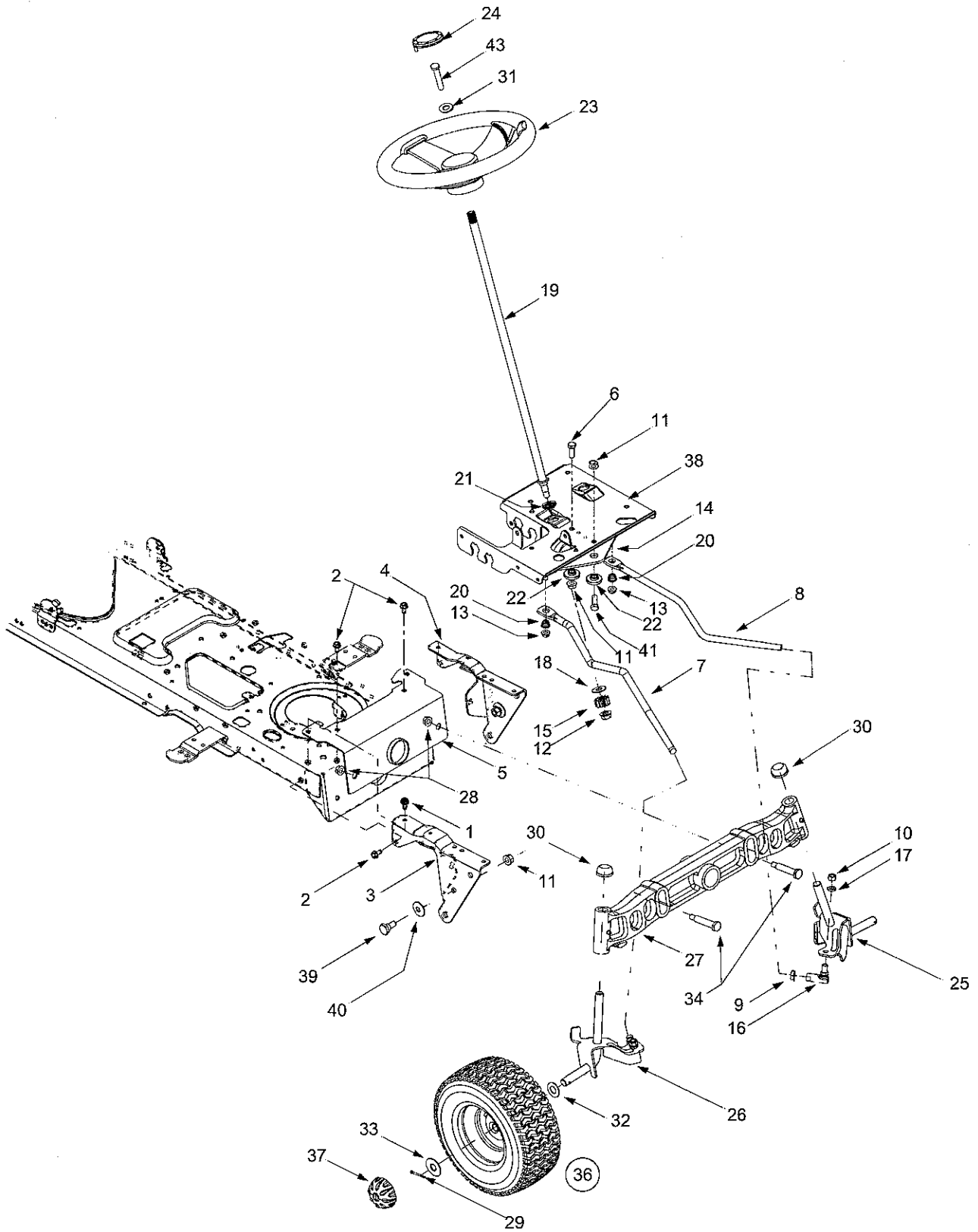
Models 808H & 808K



Models 808H & 808K

REF. NO.	PART NO.	DESCRIPTION	REF. NO.	PART NO.	DESCRIPTION
1	747-1130B	Deck Stabilizer Rod (Model 808H)	31	731-1993	Cover w/ Cup Holder
	747-1324	Deck Stabilizer Rod (Model 808K)	32	736-3078	Flat Washer, 349 x 1.0 x .063
2	683-0197B	Lift Shaft Assembly (Model 808H)	33	783-0677	Lift Adjustment Bracket
	683-0462	Lift Shaft Assembly (Model 808K)	34	783-04331	Fender
3	711-0332	Clevis Pin, .5 x 78	35	783-1489	Seat Mounting Bracket
4	712-0206	Hex Nut, 1/2-13	36	710-1268	Screw, #10-16 x .375
5	712-0431	Flange Lock Nut, 3/8-16	37	712-3027	Hex Flange Lock Nut, 1/4-20
6	712-0429	Lock Nut, 5/16-18	38	720-0309A	Seat Adjuster Grip
7	712-3083	Hex Nut, 1/2-13	39	731-04074	Spacer
8	714-0104	Internal Cotter Pin	40	732-0499	Compression Spring, 41 x 1 5
9	714-0145	Internal Cotter Pin	41	736-0275	Spring Washer, .265 x .562 x .025
10	716-0106A	E-Ring	42	736-0204	Flat Washer, .344 x .62 x .03
11	720-0311	Handle Grip	43	738-0137A	Shoulder Screw, 340 x .285, 1/4-20
12	732-0874	Torsion Spring	44	738-1007	Shoulder Screw, 50 x 50, 3/8-16
13	732-1184	Extension Spring, 84 x 4 6	45	783-0611	Seat Stop
14	736-0275	Flat Washer, 5/16	46	783-0738	Seat Pivot Bracket
15	736-0921	Lock Washer, 1/2	47	783-0739	Seat Adjustment Lever
16	736-3019	Flat Washer, 31 x 1.062 x .134	48	783-0753	Seat Adjustment Selector
17	736-3084	Flat Washer, 51 x 1.12 x .06	49	757-04010	High Back Seat, Black
18	738-0138A	Hex Cap Screw, 5/16-18 x .62	50	735-0656	RH Foot Pad
19	738-0143	Shoulder Screw, 3/8-16	51	735-0657	LH Foot Pad
20	741-0225	Hex Flange Bearing	—	726-3046	Foot Pad Clips
21	741-0715	Snap Flange Bearing	52	714-0111	Cotter Pin
22	746-0968	Lift Cable, 16 16	54	783-0209C	Seat Lift Bracket
23	747-1111A	Lift Handle	55	710-0924	Phillips Pan Screw, 1/4-20 x .75
24	756-1154	Roller Pulley	56	712-0292	U-type Speed Nut, 1/4-20
25	783-0678A	Arm Lift	57	731-2480	Shift Lever Cover
26	783-0720A	Deck Stabilizer Bracket	58	738-0296	Shoulder Screw, 437 x .286
27	710-0260A	Carriage Bolt, 5/16 x .62	59	731-2618	RH Fender Flare
28	710-0726	AB Screw, 5/16-12 x .75	60	731-2619	LH Fender Flare
29	710-0895	Self-tapping Screw, 1/4-15 x .75	61	783-1478	Fender Clips
30	731-1990	Lift Lever Cover	62	710-0599	TT Screw 1/4-20 x 0.5

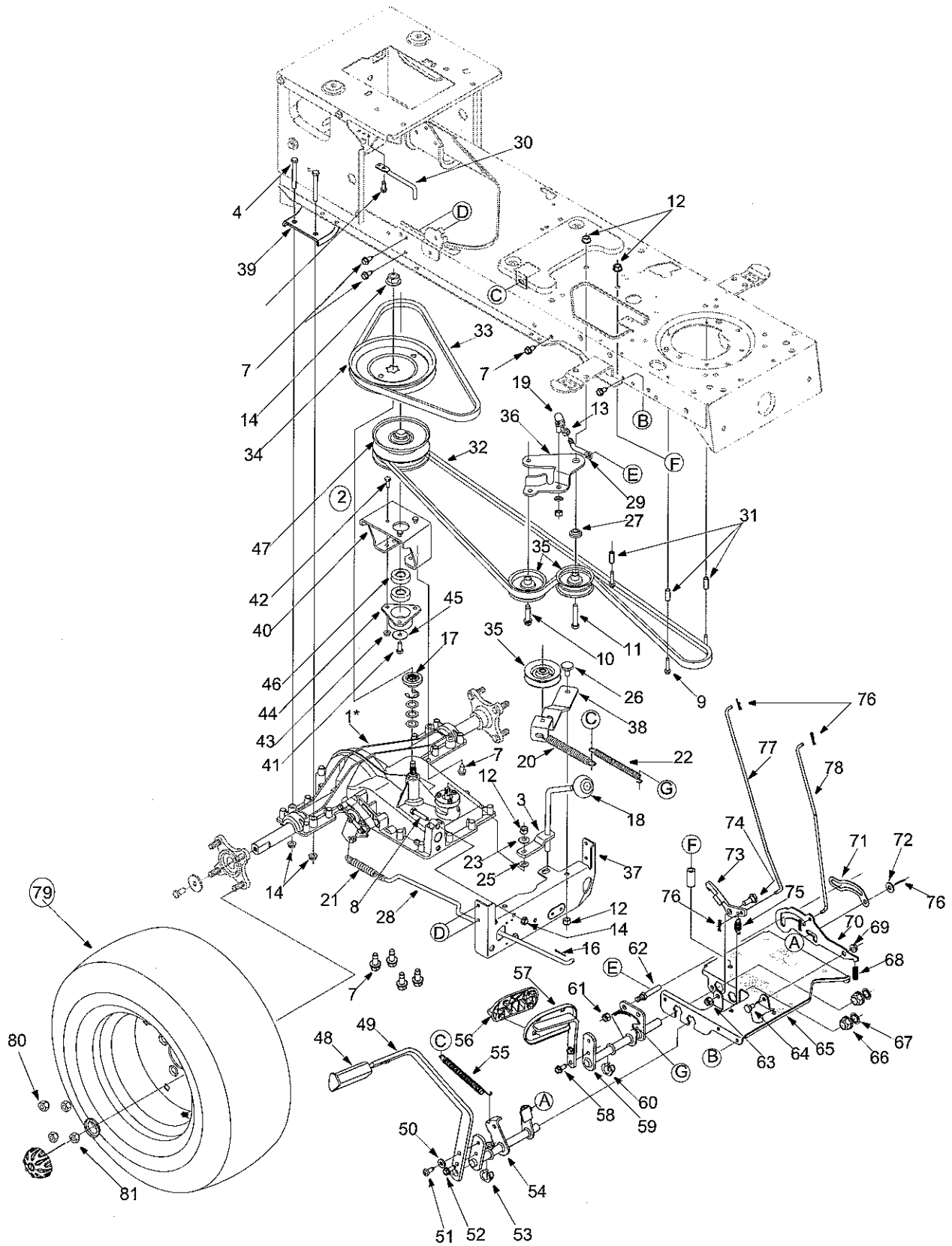
Models 808H & 808K



Models 808H & 808K

REF. NO.	PART NO.	DESCRIPTION
1	710-1260A	Self-tapping Screw, 5/16-18 x .75
2	710-0604A	Self-tapping Screw, 16-18 x .625
3	783-0726B	RH Pivot Support Bracket
4	783-0727A	LH Pivot Support Bracket
5	783-0728	Pivot Bar Bracket
6	710-0514	Hex Cap Screw, 3/8-16 x 1 (Grade 5)
7	711-1408	RH Drag Link
8	711-1409A	LH Drag Link
9	712-0240	Jam Nut, 7/16-20 (Grade 2)
10	712-0241	Hex Nut, 3/8-24 (Grade 2)
11	712-0431	Flange Lock Nut, 3/8-16
12	712-0459	Flange Lock Nut, 7/16-20
13	712-3004A	Flange Lock Nut, 5/16-18
14	717-1550D	Steering Gear, 11/90 Ratio
15	717-1554	Steering Pinion Gear
16	723-0448A	Ball Joint, 7/16-20
17	736-0169	Lock Washer, 3/8
18	736-3084	Flat Washer, .51 x 1.12 x .06
19	738-1001A	Steering Shaft, .625 OD x 24.4
20	741-0475	Plastic Bushing, .38 ID
21	741-0656	Hex Flange Bearing, 5/8
22	738-0372B	Shoulder Spacer, .38 ID
23	631-04008	Steering Wheel, Three Spoke, Soft Grip
	631-04028	Steering Wheel, Three Spoke
24	731-04040	Steering Wheel Cap, Round w/logo
	731-04039	Steering Wheel Cap, Round
25	638-0017	LH Axle Assembly, 75 Diameter
26	638-0018	RH Axle Assembly, 75 Diameter
27	719-0525B	Cast Iron Pivot Bar w/ Fittings, .75
28	712-0431	Flange Lock Nut, 3/8-16
29	714-0162	Cotter Pin
30	726-0341	Push Cap, .750
31	736-0242	Bell Washer, .34 x .872
32	736-0316	Flat Washer, .78 x 1.59 x .06
33	736-0285	Flat Washer, .635 x 1.589 x .06
34	738-1011	Shoulder Screw, 5 x 2.2, 3/8-16
35	710-0643	Hex Bolt, 5/16-18 X 1
36	634-0183	Wheel Assembly Complete, 16 x 6.5 x 8
	634-0182	Rim Only w/ Plastic Bearing
	734-0255	Air Valve (Not Shown)
	734-1727	Tire Only, Square Shoulder
37	734-2290	Hub Cap
38	783-0653E	Steering Support Bracket
39	738-0143	Shoulder Screw, 3/8-16
40	736-0331	Bell Washer, .39 x 1.13 x .062
41	710-04095	Hex Bolt 3/8-16 x 1.0 Special

Models 808H & 808K



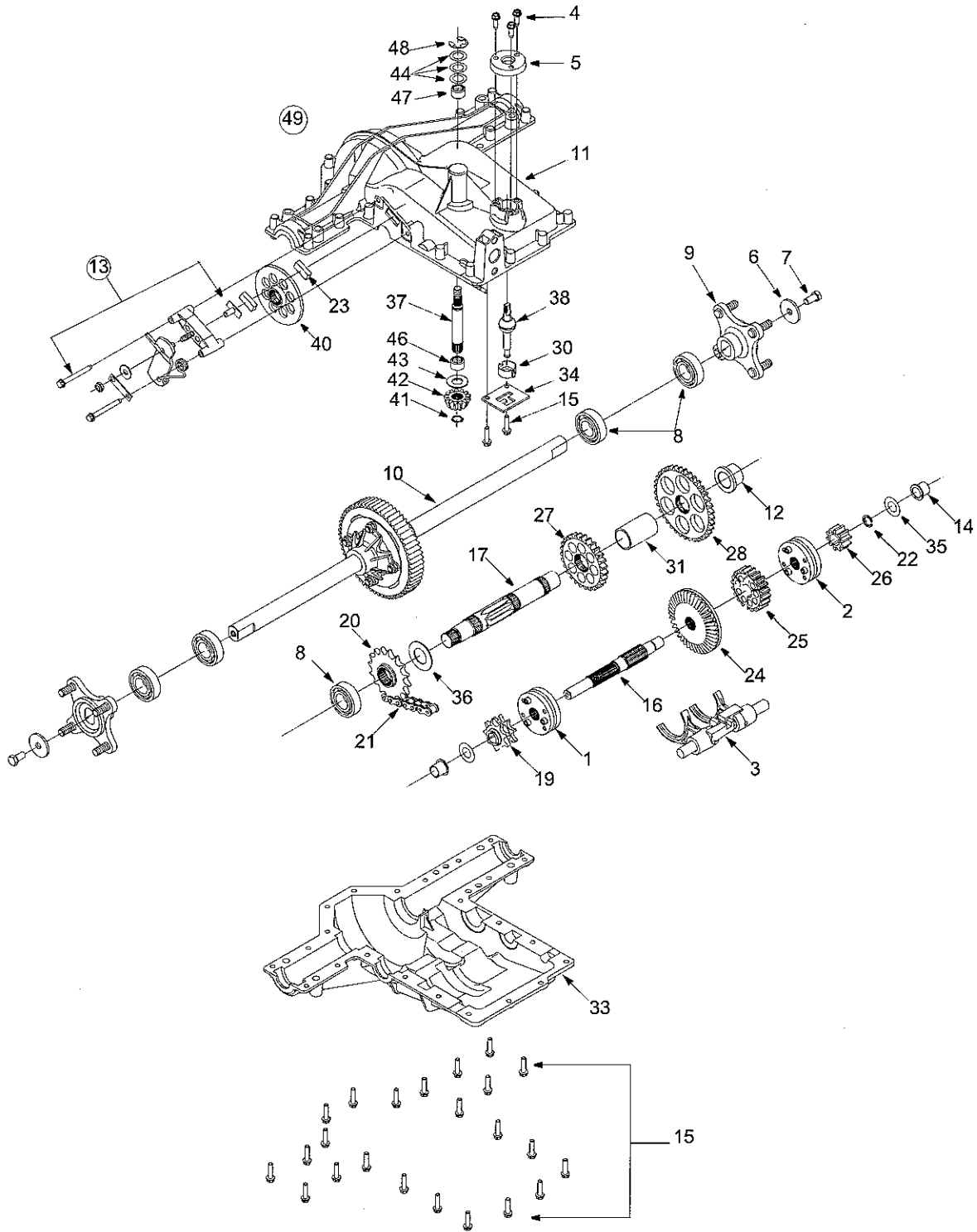
* Refer to pages 36 and 37 for break-down of this assembly.

Models 808H & 808K

REF. NO.	PART NO.	DESCRIPTION	REF. NO.	PART NO.	DESCRIPTION
1	618-0376A	Transmission Assembly: Two Speed	43	712-3027	Flanged Lock Nut
2	618-04148	Variable Speed Pulley Assembly	44	718-04012	Cup: Bearing
3	647-04023	Shift Rod Assembly	45	736-0362	Flat Washer
4	710-0176	Hex Bolt 5/16-18 x 2.75	46	741-0600	Ball Bearing
5	710-0347	Hex Bolt 3/8-16 x 1.75	47	656-0059A	Variable Speed Pulley
6	710-0642	TT Screw 1/4-20 x 0.75	48	735-3049	Brake Pad
7	710-0726	AB Screw 5/16-12 x 0.75	49	783-0773A	Brake Pedal
8	710-0805	Hex Bolt 5/16-18 x 1.5	50	736-3008	Flat Washer
9	710-0809	TT Screw 1/4-20 x 1.25	51	710-1611B	TT Screw 5/16-18 x 0.75
10	710-1007	TT Sems Screw 3/8-16 x 1.5	52	710-0650	TT Screw 5/16-18 x 0.875
11	710-3011	Hex Bolt 3/8-16 x 2.25	53	741-3065B	Hex Flange Bearing: Split
12	712-0130	Lock Nut 3/8-16	54	647-0031C	Brake Control Assembly
13	712-0241	Hex Nut 3/8-24	55	732-0963	Extension Spring
14	712-0702	Flanged Nut	56	735-0662	Control Pad
15	712-3004A	Flanged Lock Nut	57	683-0266	Drive Pedal Assembly
16	714-0111	Cotter Pin	58	710-1260A	LD Screw 5/16-18 x 0.75
17	718-0771A	Pulley Hub	59	647-0032A	Speed Control Assembly
18	720-04028	Shift Knob	61	712-0130	Hex Lock Nut 3/8-16
19	723-3018	Ball Joint	62	711-04159	Pin
20	732-0478	Extension Spring	64	738-0155	Shoulder Screw
21	732-0716	Extension Spring	65	783-0653F	Steering Support Bracket
22	732-0963	Extension Spring	66	741-0225	Hex Flange Bearing
23	736-0105	Bell Washer	67	726-04028	Push Nut
24	736-0169	Lock Washer 3/8	68	732-0335	Compression Spring
25	736-0642	Flat Washer	69	712-3004A	Flange Lock Nut
26	738-0322	Shoulder Screw	70	783-0732	Lock-Out Bracket
27	738-0372B	Shoulder Spacer	71	783-0780B	Neutral Return Bracket
28	747-04136	Brake Rod	72	736-0262	Flat Washer
29	747-1127	Rod: Idler Adjustment	73	748-04039	Cruise Latch
30	747-1185	Rod: Belt Guard	74	738-0380	Shoulder Screw
31	750-0566A	Spacer	75	732-0955	Extension Spring
32	754-0467	Belt: V Type	76	714-0104	Cotter Pin
33	754-0468	Belt: V Type	77	747-04093	Brake Lock Rod
34	756-0665	Pulley	78	747-04096	Cruise Control Rod
35	756-0981A	Idler Pulley: Flat	79	634-0104	Wheel Assembly
36	783-04442	Idler Bracket: Center Double		634-0070	Rim Assembly
37	783-0667B	Torque Bracket		734-0255	Air Valve
38	783-0669	Idler Bracket		734-1730	Tire
39	783-0693	Axle Bracket		734-2290A	Hub Cap
40	618-04152	Bracket: Variable Speed		736-0430	Flat Washer
41	710-0627	Lock Bolt 5/16-24 x 0.75	80	712-3050	Lug Nut 7/16-14
42	710-3015	Hex Bolt 1/4-20 x 0.75	81	712-3026	Jam Nut

IMPORTANT: For a proper working machine, use Factory Approved Parts. **V-belts** are designed to engage and disengage safely. A substitute (non OEM) V-belt can be dangerous by not disengaging completely.

Models 808H & 808K



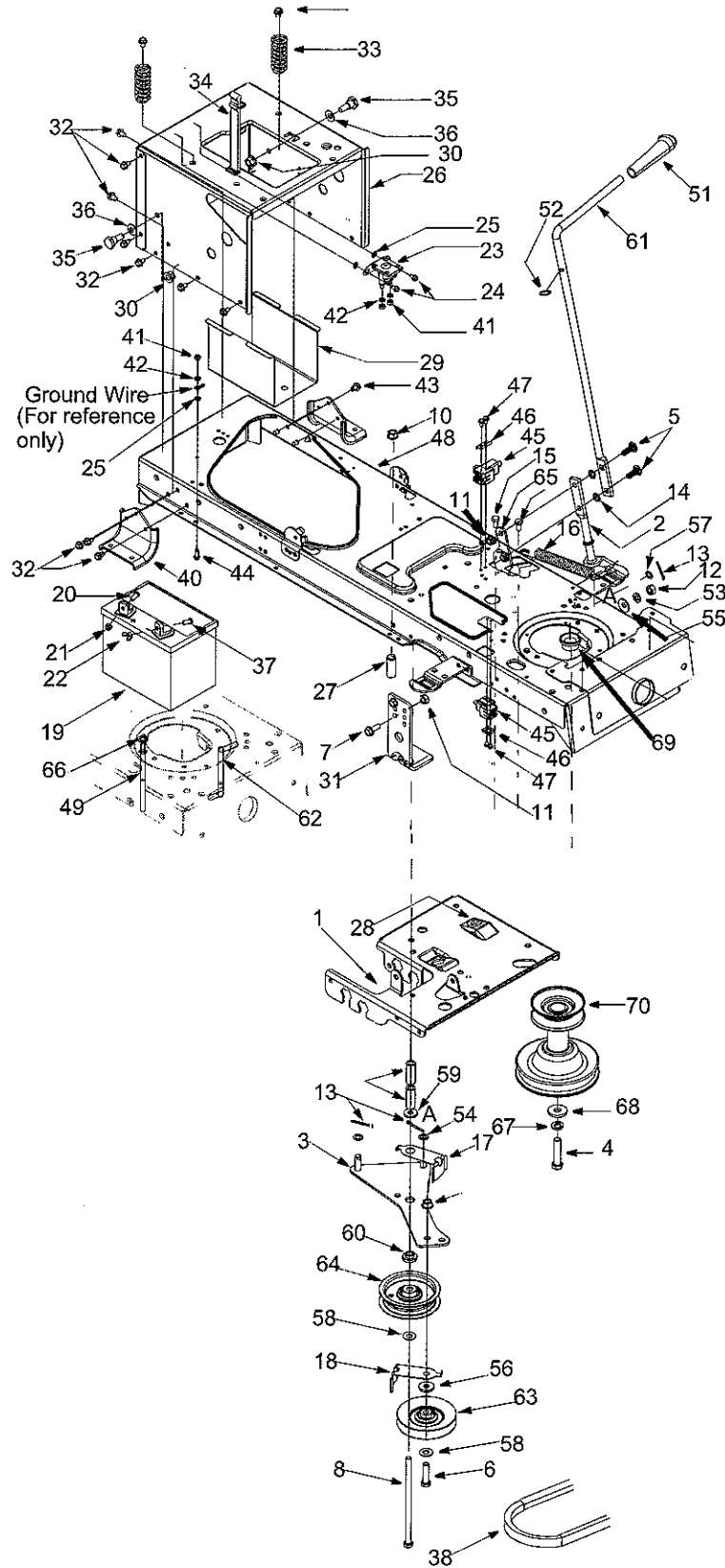
Models 808H & 808K

REF. NO.	PART NO.	DESCRIPTION
1	618-0225	Reverse Collar Assembly
2	618-0226	Hi-Lo Collar Assembly
3	618-0227A	Shift Fork Assembly
4	710-0642	Self-tapping Screw, 1/4-20 x .75
5	718-04053	Shft. Cover
6	736-0227	Flat Washer
7	710-3119	Lock bolt 3/8-16 x 0.75
8	741-0681	Ball Bearing
9	618-0365	Wheel Hub Assembly
10	618-0368	Differential Axle Assembly
11	719-0379A	Upper Housing
12	741-0476	Flanged Bearing
13	661-0012	Brake Assembly
14	741-04085	Flanged Bearing
15	710-0788	TT Screw 1/4-20 x 1.0
16	711-1051A	Drive Shaft
17	711-1216	Output Shaft
19	713-0446	9-tooth Sprocket
20	713-0447	16-tooth Sprocket
21	713-0448	22-link Chain, 625
22	716-0131	External Snap Ring
23	717-0678	Brake Pad
24	717-1438	41-tooth Bevel Gear
25	717-1439	20-tooth Spur Gear
26	717-1440	10-tooth Spur Gear
27	717-1441	27-tooth Spur Gear
28	717-1442	37-tooth Spur Gear
30	718-0504	Shifter Insert
31	718-0505	Shifter Cover
33	719-0385	Lower Housing
34	718-0540	Lockout Plate
35	736-0337	Flat Washer, 5/8 x 1.0
36	736-3046A	Flat Washer, 1.01 x 1.86 x .060
37	711-1235	Input Shaft
38	747-1140	Shift Lever
40	761-0215	Disc Brake
41	716-0114	Retaining Ring, .56
42	717-1463	13-tooth Bevel Gear
43	736-0335	Flat Washer
44	736-0336	Flat Washer, 5/8 x 1.0 x .030*
	736-0337	Flat Washer, 5/8 x 1.0 x .040*
	736-0349	Flat Washer, 5/8 x 1.0 x .020*
46	741-0335	Needle Bearing
47	741-0696	Needle Bearing
48	716-0231	E-ring, .75
49	618-0376A	Transmission Assembly Complete

NOTE: Transmission has a grease capacity of 32 oz. Order part number 737-0148.

NOTE: Upon reassembling transmission input shaft for any reason, refill its cavity with approximately 2/3 oz. of grease. Order part number 737-0289.

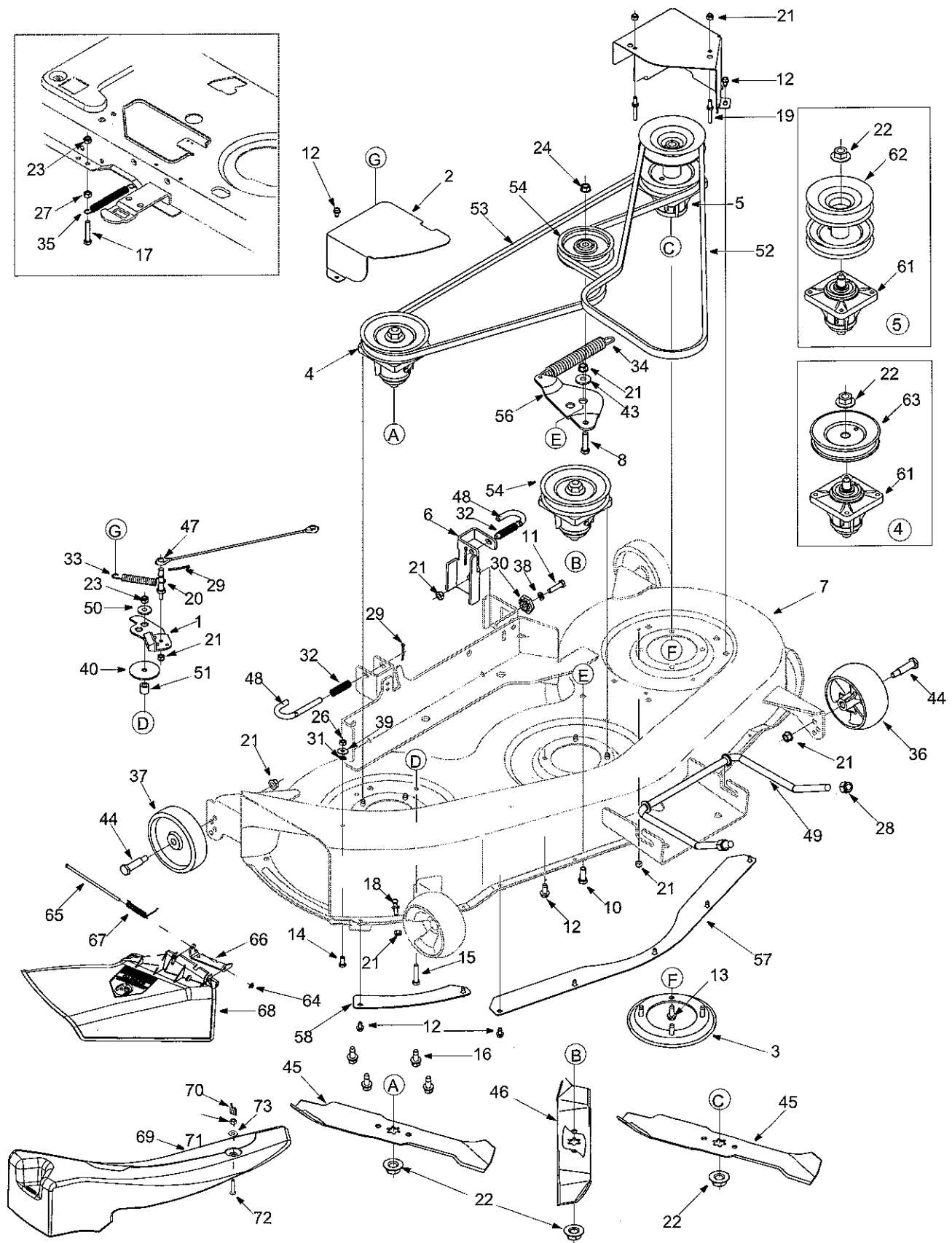
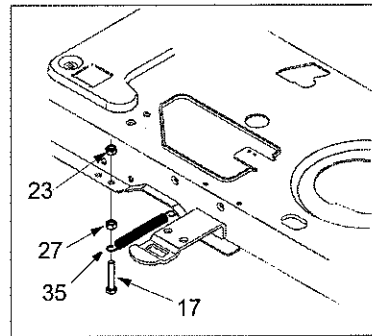
Model 808H



Model 808H

REF. NO.	PART NO.	DESCRIPTION	REF. NO.	PART NO.	DESCRIPTION
1.	783-0653E	Steering Support Bracket	36.	736-0407	Bell Washer, 45 x 1 0 x 062
2.	647-0064	PTO Lever Engagement Assembly	37	738-1132	Shoulder Screw
3.	683-04060	Engagement Plate Assembly	38	754-0228	PTO Belt
4.	710-1002	Hex Bolt 7/16-20 x 2 0	40.	783-0693	Axle Bracket
5.	710-0276	Carriage Screw 5/16-18 x 1 0	41.	712-3006	Hex Nut 1/4-20
6.	710-0344	Hex Screw 3/8-16 x 1.5	42.	736-0329	Lock Washer
7.	710-0726	AB Screw, 5/16-12 x .75	43	710-0607	TT Screw 5/16-18 x 0.5
8.	710-3261	Hex Screw 3/8-16 x 7 0	44	710-0642	TT Screw 1/4-20 x 0 75
10	712-0431	Flange Lock Nut	45	725-1657A	Switch
11.	712-3004A	Flange Lock Nut	46	17962	Switch Plate
12	712-3010	Hex Nut	47.	710-0224	AB Screw #10-16 x 0 5
13	714-0470	Cotter Pin	48.	683-0304C	Lower Frame Assembly
14.	726-0201	Speed Nut	49.	711-1428	Belt Guard Pin
15	710-3025	Hex Cap Screw 5/16-18 x .625	50.	712-0229	Push Nut Retainer
16.	732-0944	Extension Spring	51.	731-2111A	PTO Knob
17.	732-0991A	Belt Guard	52.	736-0108	Flat Washer
18	732-1013	Belt Guard	53	736-0119	Lock Washer
19	725-1706	12 V Battery	54	736-0140	Flat Washer
20.	710-0751	Hex Cap Screw, 1/4-20 x .62	55	736-0242	Bell Washer
21	712-0271	Hex Sems Nut, 1/4-20	56	736-0258	Flat Washer
22	712-3087	Wing Nut, 1/4-20	57	736-0275	Flat Washer
23	725-1426	Solenoid, 12-Volt, 100 Amp	58.	736-0300	Flat Washer
24.	710-0599	Self Tapping Screw, 1/4-20 x .5	59.	736-3072	Flat Washer
25.	736-0222	Lock Washer, 1/4	60.	738-0372B	Shoulder Spacer
26.	783-1033A	Hitch Plate	61.	747-1112D	Deck Engagement Handle
27.	748-0415B	Spacer	62.	747-1243	Belt Keeper Rod
28.	741-0708	Hex Split Flange Bearing	63.	756-0487	Idler Pulley
29.	783-0349	Battery Tray	64.	756-0627B	Idler Pulley
30.	712-0459	Flange Lock Nut, 7/16-20	65	783-0744A	Bracket
31.	783-04467	Deck Stop	66.	736-0119	Lock Washer
32	710-0604A	Self Tapping Screw, 5/16-18 x .625	67	736-0171	Lock Washer
33.	732-3080	Compression Spring, 1 28 x 3 5	68	736-0322	Flat Washer
34.	723-0444	Battery Strap	69.	750-0956	Spacer
35.	738-1020	Shoulder Screw, .625 x 5, 7/16-20	70.	756-1182A	Engine Pulley

Model 808H



Model 808H

REF. NO.	PART NO.	DESCRIPTION	REF. NO.	PART NO.	DESCRIPTION
1.	17116	Deck Brake Assembly	39	736-0270	Bell Washer
2.	17258D	Belt Cover	40	736-0418A	Flat Washer
3.	17982	Spindle Plate	41	736-0760	Lock Washer
4.	618-0430A	Spindle Assembly: Pulley w/ftg	43.	738-0347	Shoulder Spacer
5.	618-0595	Spindle Assembly: Double Pulley	44.	738-0373	Shoulder Screw 3/8-16
6.	683-0254	Bracket Assembly: Deck Hanger LH	45.	742-0611A	Blade: 16 28" Three in One
7.	683-04114	Deck Assembly 46"	46.	742-0612A	Blade: 14 88" Three in One
8.	710-0344	Hex Bolt 3/8-16 x 1.5	47.	746-1107	Cable: Bracket
9.	710-0501	Hex Bolt 1/4-20 x 2.0	48.	747-1116	Rod: Deck Release Handle
10.	710-0514	Hex Bolt 3/8-16 x 1.0	49.	747-1130B	Rod: Front Adjustment
11.	710-0528	Hex Bolt 5/16-18 x 1.25	50.	748-0234	Shoulder Spacer
12.	710-0599	TT Screw 1/4-20 x 0.5	51.	750-1291	Spacer
13.	710-0650	TT Screw 5/16-18 x 0.875	52.	754-0228	Belt: V Type
14.	710-0751	Hex Bolt 1/4-20 x 0.620	53.	754-0349	Belt: V Type
15.	710-0805	Hex Bolt 5/16-18 x 1.5	54.	756-0627B	Idler Pulley
16.	710-1260A	LD Screw 5/16-18 x 0.75	55.	771-11725A	Label: Danger Tag
17.	710-3180	Hex Bolt 5/16-18 x 1.75	56.	783-0139A	Idler Bracket
18.	711-04069	Grass Catcher Pin	57.	783-0141	Deck Skirt: Center
19.	711-0993	Belt Guard Pin	58.	783-0142	Deck Skirt RH
20.	711-1554	Pin 1/4-20	59.	783-1025	Chute Stop
21.	712-0324	Hex Lock Nut 1/4-20	60.	783-1347B	Belt Cover
22.	712-0417A	Flange Nut	61.	619-0042	Spindle Housing
23.	712-0429	Lock Nut 5/16-18		17983	Bearing
24.	712-0431	Flanged Lock Nut 3/8-16		738-1128	Spindle Shaft
25.	712-0641	Hex Nut M16		741-0919	Ball Bearing
26.	712-3006	Hex Nut 1/4-20	62.	756-1214	Deck Pulley: Double
27.	712-3010	Hex Nut 5/16-18	63.	756-1187	Deck Pulley
28.	712-3083	Lock Nut 1/2-13	64.	726-0106	Speed Nut
29.	714-0470	Cotter Pin	65.	711-0792	Hinge Pin
30.	717-04074	Gear: Deck Adjustment	66.	703-1693A	Mounting Bracket
31.	726-0233	Push Nut	67.	732-0602	Torsion Spring
32.	732-0306A	Compression Spring	68.	731-1032B	Chute Deflector: Side Discharge
33.	732-0429A	Extension Spring	69.	731-1636	Mulch Plug†
34.	732-0594A	Extension Spring	70.	712-3087	Wing Nut†
35.	732-1165	Extension Spring	71.	712-3006	Hex Nut†
36.	734-04039	Deck Wheel 5 0 dia. Ball	72.	710-0578	Machine Screw†
37.	734-0973	Deck Wheel 5 0 x 1 38	73.	736-0173	Flat Washer†
38.	736-0119	Lock Washer			

† If equipped

IMPORTANT: For a proper working machine, use Factory Approved Parts. **V-belts** are designed to engage and disengage safely. A substitute (non OEM) V-belt can be dangerous by not disengaging completely.