

Illustrated Parts List

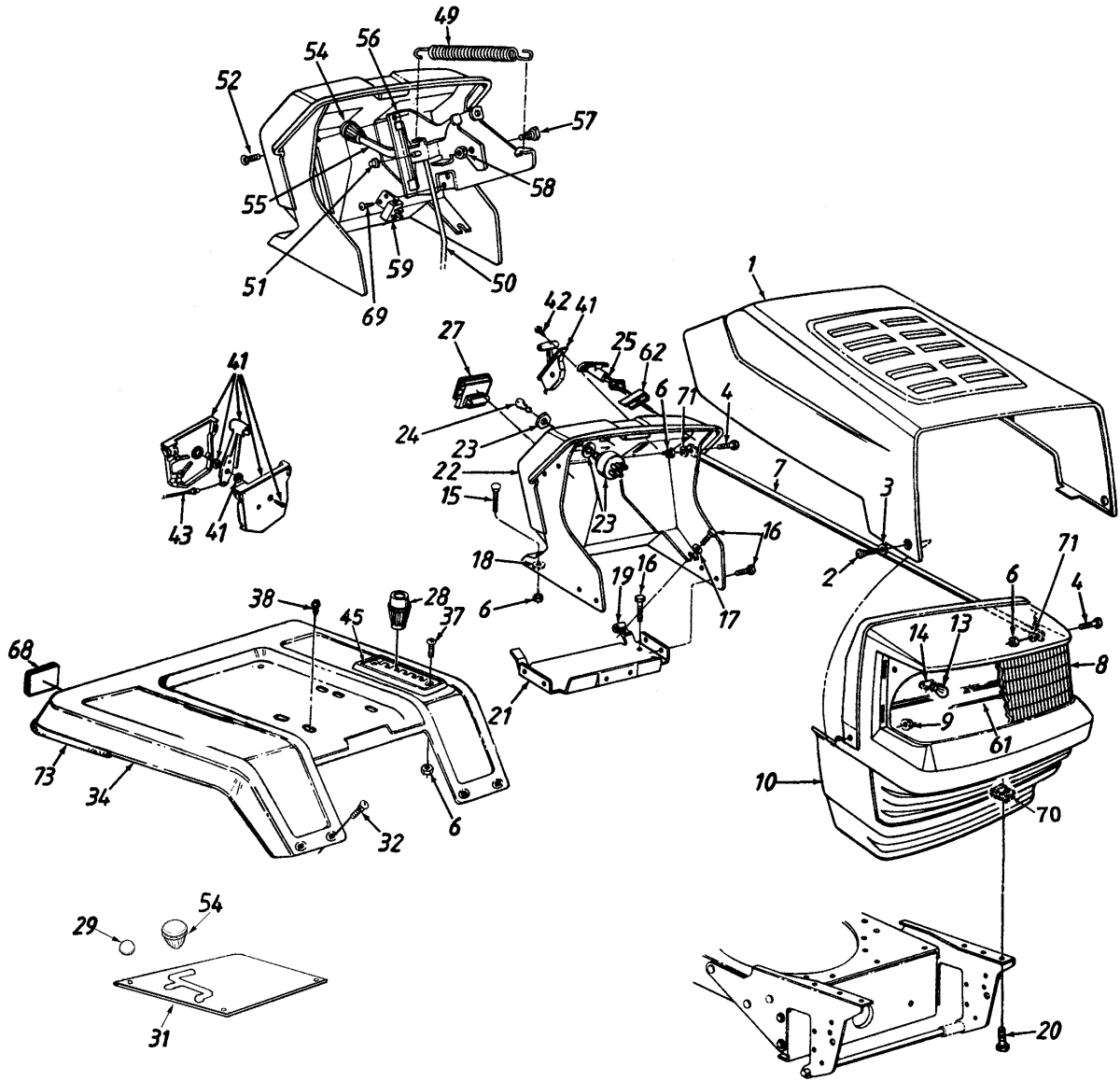
**GARDEN TRACTORS
MODELS
820 THRU 829
840 THRU 849**



1998

Models 820 and 840

(Style 0)



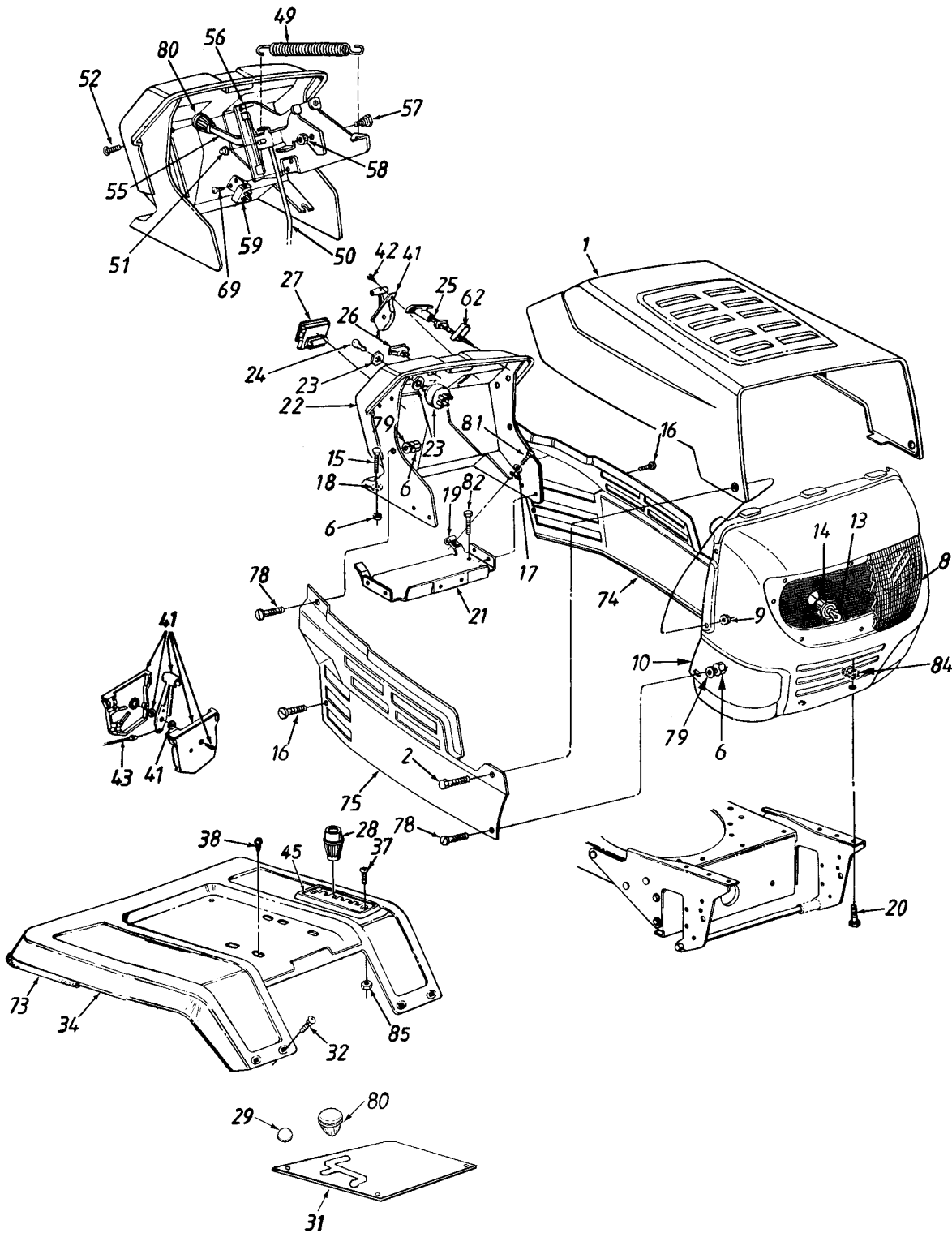
Models 820 and 840

(Style 0)

REF. NO.	PART NO.	DESCRIPTION	REF. NO.	PART NO.	DESCRIPTION
1	783-0250	Hood	32	710-0167	Carriage Bolt 1/4-20 x .5" Lg.
2	738-0952	Shld. Bolt .375" Dia. x .125" Lg.	34	17426A	Fender
3	736-0175	Spr. Wash. .265" I.D. x .562" O.D.	37	710-0924	Truss Mach. Scr. #1/4-20 x .75" Lg.
4	710-0751	Hex Bolt 1/4-20 x .62" Lg.*	38	710-0726	Hex Wash. Hd. AB-Tap Scr. 5/16 x .75" Lg.
6	712-0271	Hex Sems Nut 1/4-20 Thd.	41	831-0823A	Throttle Box Ass'y.
7	749-0813A	Grille Support Rod	42	710-0779A	Truss Mach. AB-Tap Scr. #10 x .5" Lg.
8	731-1099A	Headlight Lens w/o Logo	43	746-0634	Throttle Control Wire 35" Lg.
	731-1767	Headlight Lens w/Logo		746-0630	Throttle Control Wire 39" Lg.
9	712-3027	Flange L-Nut 1/4-20 Thd.	45	731-1360	6-Speed Selector Plate (820)
10	731-1097D	Grille		731-1774	7-Speed Selector Plate (840)
13	725-0963	Lamp	49	732-0626	Ext. Spring 5.06" Lg.
14	725-1649	Socket	50	747-0750A	Deck Control Rod
15	710-0932	Carriage Bolt 1/4-20 x 1.0" Lg.	51	726-0106	Speed Nut 1/4" Rod
16	710-0776A	Hex AB-Tap Scr. 1/4 x .62" Lg.	52	710-1017	Torx Mach. Scr. 1/4 x .62" Lg.
17	736-0173	Fl-Wash. .281" I.D. x .73" O.D.	54	720-0232	PTO Knob
18	726-0233	Bolt Retainer 1/4" I.D.	55	17500	PTO Lever
19	712-0185	Speed Nut 1/4-20 Thd.	56	783-0461A	PTO Bracket
20	710-3008	Hex Bolt 5/16-18 x .75" Lg.	57	738-0155	Shld. Bolt .437" Dia. x .162"
21	783-0347A	Battery Plate	58	712-3009	Hex L-Nut 5/16-18 Thd.
22	731-1678	Dash—w/Ammeter & Light Switch	59	725-1657A	Safety Switch
		Holes	61	777-9206	Grille Reflector Label
	731-1679	Dash—w/o Ammeter & Light Switch	62	17782	Retainer Clip
		Holes	68	730-3000	Reflector (Optional)
23	725-1717	Ignition Switch	69	710-1066	Hex Wash. Hd. B-Tap Scr. 10 x .38" Lg.
24	725-0201	Ignition Key	70	726-0211	U-Nut 5/16-18 Thd.
25	746-0614A	Choke Control	71	736-0342	Fl-Wash. .28" I.D. x .75" O.D.
27	725-0925	Ammeter (Optional)	73	731-0511-81	Trim Strip 81" Lg.
28	720-0218	Shift Knob			
29	720-0166	Knob			
31	783-0348	Shift Cover			

* For faster service obtain standard nuts, bolts and washers locally. If these items cannot be obtained locally, order by part number shown on parts list

Models 823 and 843 (Style 3)



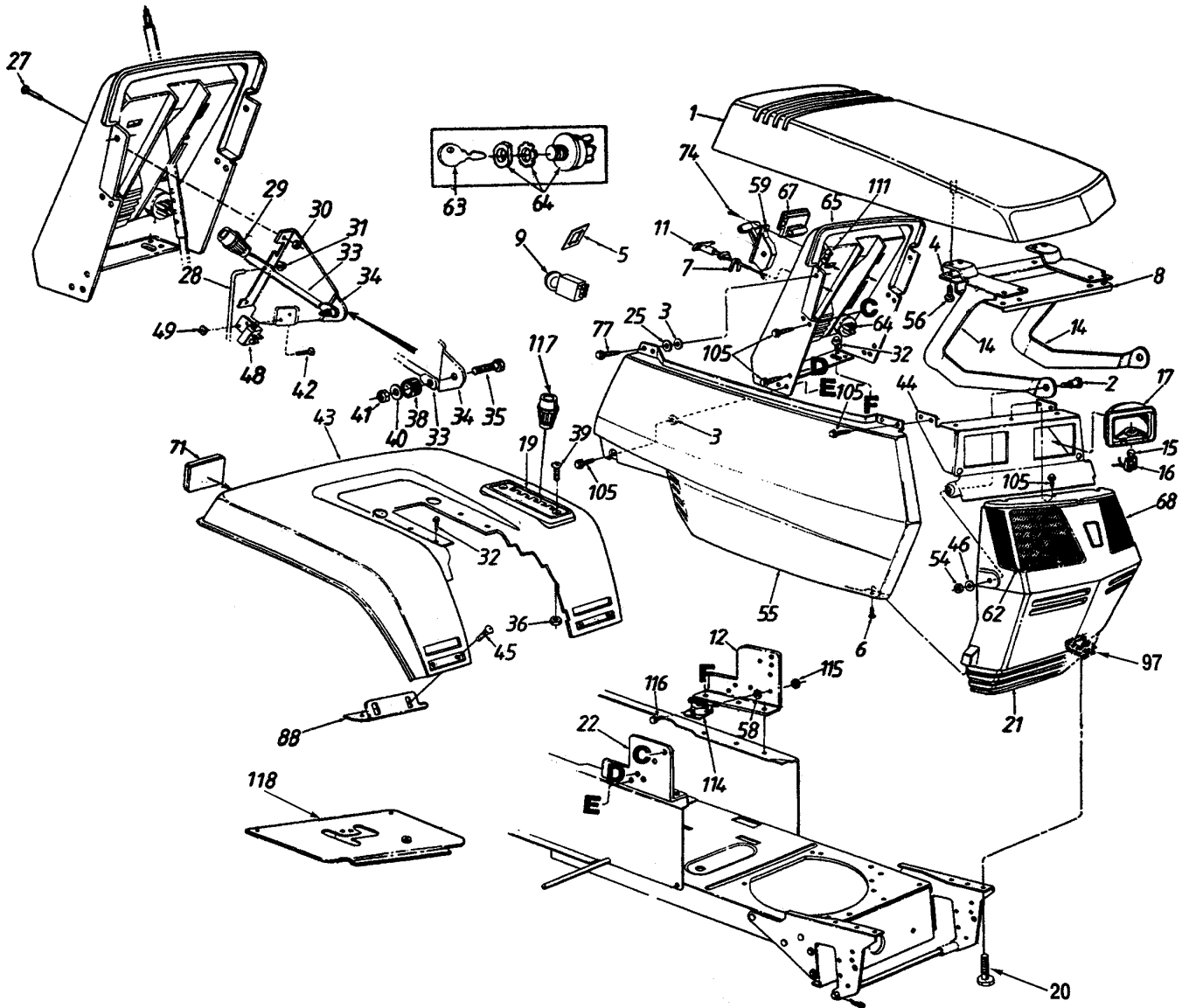
Models 823 and 843

(Style 3)

REF. NO.	PART NO.	DESCRIPTION	REF. NO.	PART NO.	DESCRIPTION
1	783-0250	Hood	41	831-0823A	Throttle Box Ass'y.
2	738-0952	Shld. Bolt .375" Dia. x .125" Lg.	42	710-0779A	Truss Mach. AB-Tap Scr. #10 x .5" Lg.
6	712-0287	Hex Nut 1/4-20 Thd.*	43	746-0634	Throttle Control Wire 35" Lg.
8	731-1503A	Headlight Lens		746-0630	Throttle Control Wire 39" Lg.
9	712-3027	Flange L-Nut 1/4-20 Thd.	45	731-1360	6-Speed Selector Plate (823)
10	783-0156A	Grille		731-1774	7-Speed Selector Plate (843)
13	725-0963	Lamp	49	732-0626	Ext. Spring 5.06" Lg.
14	725-1651	Socket	50	747-0750A	Deck Control Rod
15	710-0932	Carriage Bolt 1/4-20 x 1.0" Lg.	51	726-0106	Speed Nut 1/4" Rod
16	710-0599	Hx Wash. Hd. TT-Tap Scr. 1/4-20 x.5" L	52	710-1017	Torx Mach. Scr. 1/4 x .62" Lg.
17	736-0173	FI-Wash. .281" I.D. x .73" O.D.	55	17500	PTO Lever
18	726-0233	Bolt Retainer 1/4" I.D.	56	783-0461A	PTO Bracket
19	712-0185	Speed Nut 1/4-20 Thd.	57	738-0155	Shld. Bolt .437" Dia. x .162"
20	710-3008	Hex Bolt 5/16-18 x .75" Lg.	58	712-3009	Hex L-Nut 5/16-18 Thd.
21	783-0347A	Support Brkt.	59	725-1657A	Safety Switch
22	731-1678	Dash w/Amp & Light Holes	62	17782	Retainer Clip
	731-1679	Dash w/o Amp & Light Holes	69	710-1066	Hx Wash. Hd. B-Tap Scr. #10 x .38" L.
23	725-1717	Ignition Switch	73	731-0511-81	Trim Strip 81" Lg.
24	725-0201	Ignition Key	74	783-0151	Side Panel—L.H.
25	746-0614A	Choke Control	75	783-0150A	Side Panel—R.H.
27	725-0925	Ammeter (Optional)	78	710-0286	Pan Hd. Mach. Scr. 1/4-20 x .5" Lg.
28	720-0218	Shift Knob	79	736-0270	Bell-Wash. 1/4" I.D.
29	720-0166	Knob	80	720-0232	Small Shift Knob
31	783-0348	Shift Cover	81	710-0642	Hex TT-Tap Scr. 1/4-20 x .75" Lg.
32	710-0167	Carriage Bolt 1/4-20 x .5" Lg.	82	710-0776A	Hex AB-Tap Scr. 1/4 x .62" Lg.
34	17426A	Fender	84	726-0211	U-Nut 5/16-18 Thd.
37	710-0924	Truss Mach. Scr. #1/4-20 x .75" Lg.	85	712-0271	Hex Sems Nut 1/4-20 Thd.
38	710-0726	Hx Wash Hd. AB-Tap Scr. 5/16 x .75" L			

Models 824 and 844

(Style 4)



Models 824 and 844

(Style 4)

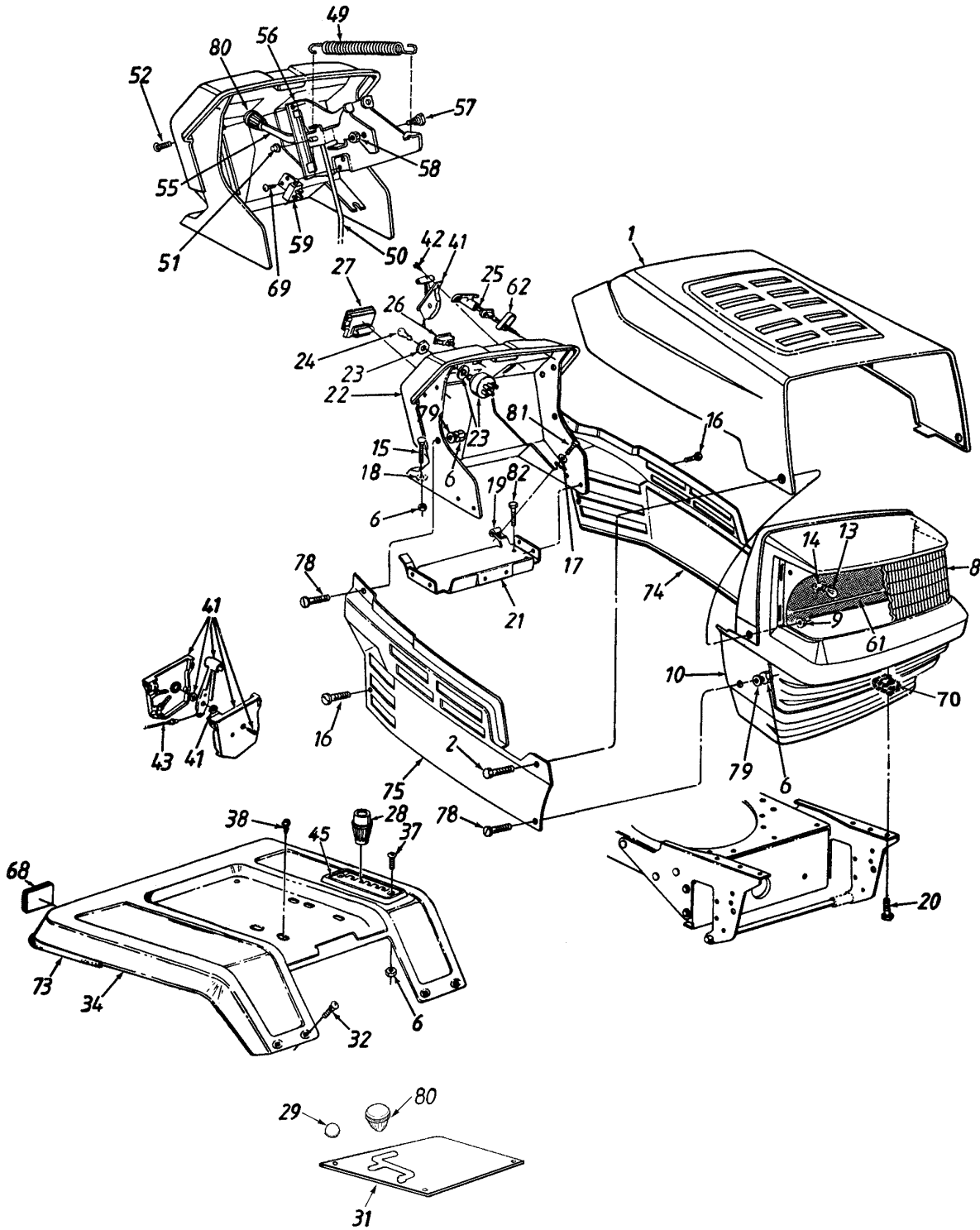
REF. NO.	PART NO.	DESCRIPTION	REF. NO.	PART NO.	DESCRIPTION
1	731-1433	Hood Ass'y.	42	710-0224	Truss Mach. Scr. #10-24 x .5"Lg. †
2	738-0141	Shld. Bolt .437" Dia. x .35"	43	783-0351	Rear Fender
3	726-0233	Bolt Retainer 1/4" I.D.	44	17223	Light Bracket
4	17762	Hood Reinforcement Spacer	45	710-0167	Carriage Bolt 1/4-20 x .50" Lg.*
5	783-0462	Switch ††	46	736-0278	Fl-Wash. .328" I.D. x .68" O.D.
6	710-0351	Truss Mach. B-Tap Scr.#10 x .5" Lg.	48	725-1657A	Safety Switch †
7	17782	Retainer Clip	49	712-0121	Hex Nut #10-24 Thd. †
8	783-0121	Hood Reinforcement	54	712-0158	Hex Cent. L-Nut 5/16-18 Thd.
9	725-1716	PTO Switch ††	55	731-1434	Side Cover-R.H.
11	746-0614A	Choke Control		731-1435	Side Cover-L.H. (Not Shown)
12	17294B	Dash Support Brkt.-L.H.	56	710-1005	Hx Wash. Hd. B-Tap Scr.1/4 x .5" Lg.
14	783-0123	Hood Hinge	58	736-0222	Ext. L-Wash. 1/4" I.D.
15	725-0963	Lamp	59	831-0823A	Throttle Control Box Ass'y.
16	725-1650	Twist Lock-Lamp Socket	62	731-0948	Lens-R.H.
17	731-0705	Headlight Housing	63	725-0201	Ignition Key
19	731-1774	7-Speed Selector Plate	64	725-1717	Ignition Switch
21	731-1442A	Grille	65	731-0962	Dash Panel †
22	17293B	Dash Support Bracket-R.H.		731-1772	Dash Panel ††
23	736-0119	L-Wash. 5/16" I.D.*	67	725-0925	Ammeter
24	712-3010	Hex Nut 5/16-18 Thd. (Gr. 5)	68	731-0949	Lens-L.H.
25	736-0176	Fl-Wash. 1/4" I.D. x .93" O.D.	69	725-1347	Ignition Switch Cap
27	710-0286	Truss Mach. Scr. 1/4-20 x .5" Lg. †	71	730-3000	Reflector (Optional)
28	747-0708A	Deck Control Rod †	73	725-1346	Ignition Switch Nut
29	720-0232	Knob-Blade Clutch †	74	710-0779A	Truss Mach. AB-Tap Scr.#10 x .5" Lg.
30	712-0271	Hex Sems Nut 1/4-20 Thd.* †			
31	726-0106	Push Cap †	75	710-0936	Truss Hd. AB-Tap Scr. #6 x.62" Lg.
32	710-0726	Hex Wash. Hd. AB-Tap Scr.5/16 x .75" Lg.	77	710-0642	Hex Wash. Hd. Tap Scr.1/4 x .75" Lg.
33	747-0513A	PTO Lever †	88	17406	Fender Bracket-R.H.
34	783-0460	Deck Clutch Cont. Brkt. †		17407	Fender Bracket-L.H.
35	710-0106	Hex Bolt 1/4-20 x 1.25" Lg.* †	97	726-0211	U-Nut 5/16-18 Thd.
36	712-0271	Hex Sems Nut 1/4-20 Thd.	105	710-0599	Hex Tap Scr. 1/4-20 x .5" Lg.
37	736-0329	L-Wash. 1/4" I.D.*	111	712-0185	Speed Nut 1/4-20 Thd.
38	735-0126	Rubber Washer †	114	725-1426	Solenoid
39	710-0924	Truss Mach. Scr. 1/4-20 x .75"Lg.	115	712-0271	Hex Sems Nut 1/4-20 Thd.
40	736-0173	Fl-Wash. .281" I.D. x .73" †	116	710-3013	Hex Bolt 1/4-20 x .5" Lg.*
41	712-0324	Hex L-Nut 1/4-20 Thd. †	117	720-0218	Shift Knob
			118	783-0430	Shift Cover

† Used with Manual PTO

†† Used with Electric PTO

Models 825 and 845

(Style 5)

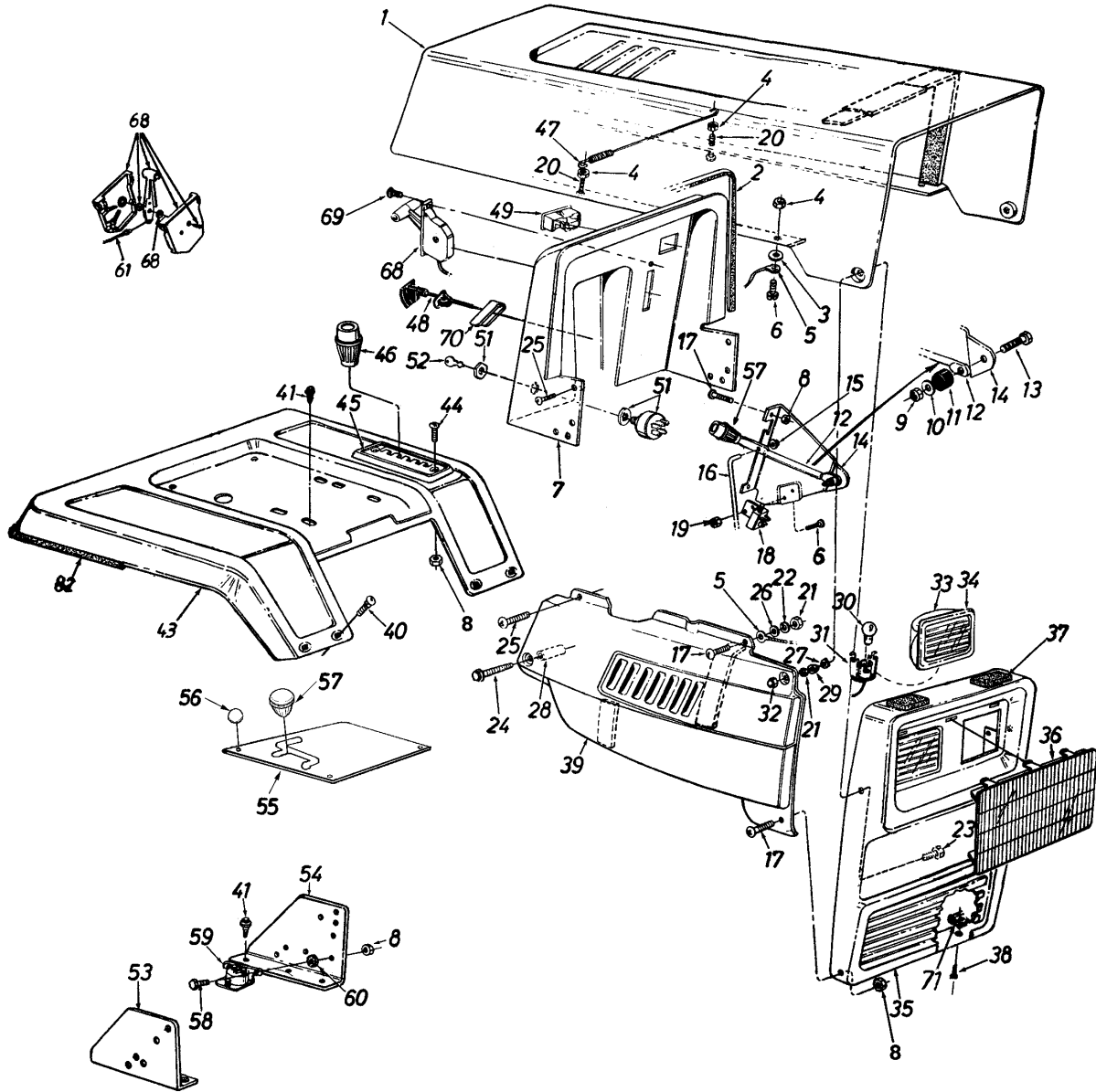


Models 825 and 845

(Style 5)

REF. NO.	PART NO.	DESCRIPTION	REF. NO.	PART NO.	DESCRIPTION
1	783-0250	Hood	37	710-0924	Truss Mach. Scr. #1/4-20 x .75" Lg.
2	738-0952	Shld. Bolt .375" Dia. x .125" Lg.	38	710-0726	Hx Wash Hd. AB-Tap Scr. 5/16 x .75" L
6	712-0271	Hex Sems Nut 1/4-20 Thd.	41	831-0823A	Throttle Box Ass'y.
8	731-1767	Headlight Lens w/Logo	42	710-0779A	Truss Mach. AB-Tap Scr. #10 x .5" Lg.
	731-1099A	Headlight Lens w/o Logo	43	746-0634	Throttle Control Wire 35" Lg.
9	712-3027	Flange L-Nut 1/4-20 Thd.		746-0630	Throttle Control Wire 39" Lg.
10	731-1097D	Grille	45	731-1360	6-Speed Selector Plate (825)
13	725-0963	Lamp		731-1774	7-Speed Selector Plate (845)
14	725-1649	Socket	49	732-0626	Ext. Spring 5.06" Lg.
15	710-0932	Carriage Bolt 1/4-20 x 1.0" Lg.	50	747-0750A	Deck Control Rod
16	710-0599	Hx Wash Hd. TT-Tap Scr. 1/4-20 x .5" L	51	726-0106	Speed Nut 1/4" Rod
17	736-0173	Fl-Wash. .281" I.D. x .73" O.D.	52	710-1017	Torx Mach. Scr. 1/4 x .62" Lg.
18	726-0233	Bolt Retainer 1/4" I.D.	55	17500	PTO Lever
19	712-0185	Speed Nut 1/4-20 Thd.	56	783-0461A	PTO Bracket
20	710-3008	Hex Bolt 5/16-18 x .75" Lg.	57	738-0155	Shld. Bolt .437" Dia. x .162"
21	783-0347A	Battery Plate	58	712-3009	Hex L-Nut 5/16-18 Thd.
22	731-1678	Dash—w/Ammeter & Light Switch Holes	59	725-1657A	Safety Switch
	731-1679	Dash—w/o Ammeter & Light Switch Holes	61	777-9206	Grille Reflector Label
			62	17782	Retainer Clip
23	725-1717	Ignition Switch	68	730-3000	Reflector (Optional)
24	725-0201	Ignition Key	69	710-1066	Hx Wash. Hd. B-Tap Scr. #10 x .38" Lg.
25	746-0614A	Choke Control	70	726-0211	U-Nut 5/16-18 Thd.
27	725-0925	Ammeter (Optional)	73	731-0511-81	Trim Strip 81" Lg.
28	720-0218	Shift Knob	74	783-0151	Side Panel—L.H.
29	720-0166	Knob	75	783-0150A	Side Panel—R.H.
31	783-0348	Shift Cover	78	710-0286	Pan Hd. Mach. Scr. 1/4-20 x .5" Lg.
32	710-0167	Carriage Bolt 1/4-20 x .5" Lg.	79	736-0270	Bell-Wash. 1/4" I.D.
34	17426A	Fender	80	720-0232	Small Shift Knob
			81	710-0642	Hex TT-Tap Scr. 1/4-20 x .75" Lg.
			82	710-0776A	Hex AB-Tap Scr. 1/4 x .62" Lg.

Models 82A and 84A (Style A)



Models 82A and 84A

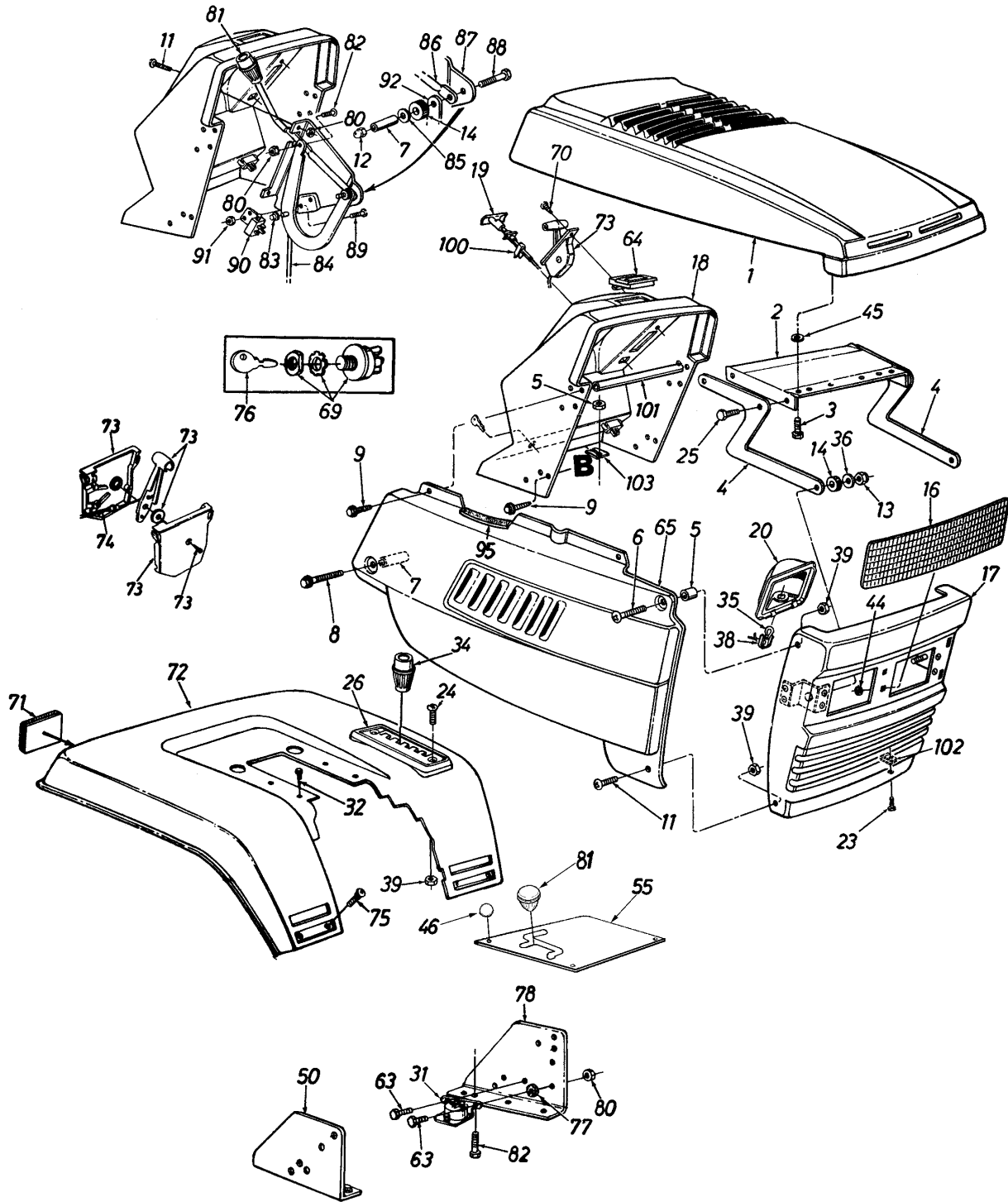
(Style A)

REF. NO.	PART NO.	DESCRIPTION	REF. NO.	PART NO.	DESCRIPTION
1	16787B	Hood	34	731-0706	Headlight Lens†
2	731-0511-31	Trim Strip 31" Lg.	35	15806C	Grille
3	736-3067	Fl-Wash. .188" I.D. x .41" O.D.		16456C	Grille—Used w/Headlight Bezel
4	712-0272	Hex Sems Nut #10-24 Thd.	36	731-0967	Headlight Bezel†
5	727-0290A	Hood Stop	37	722-0157	Foam Strip
6	710-0473	Truss Mach. Scr. #10-24 x .5" Lg.	38	710-3008	Hex Bolt 5/16-18 x .75" Lg.
7	16550A	Dash Ass'y. w/AMP	39	16725	Side Panel Ass'y.—R.H.
	17998	Dash w/o AMP		17309B	Side Panel Ass'y.—L.H. (Not Shown)
8	712-0271	Hex Sems Nut 1/4-20 Thd.	40	710-0167	Carriage Bolt 1/4-20 x .5" Lg.
9	712-0324	Hex L-Nut 1/4-20 Thd.	41	710-0726	Hex Wash. AB-Tap Scr. 5/16 x .75" Lg.
10	736-0173	Fl-Wash. .281" I.D. x .73" O.D.	42	731-0511-81	Trim Strip—81" Lg.
11	735-0126	Rubber Washer	43	17426A	Fender
12	747-0513	PTO Lever	44	710-0924	Truss Mach. Scr. 1/4-20 x .75" Lg.
13	710-0106	Hex Bolt 1/4-20 x 1.25" Lg.*	45	731-1360	6-Speed Selector Plate (828)
14	783-0371	Deck Clutch Control Brkt.		731-1774	7-Speed Selector Plate (848)
15	726-0106	Push Cap	46	720-0218	Shift Knob
16	747-0307	Deck Control Rod	47	732-0462	Hood Spring
17	710-0286	Truss Mach. Scr. 1/4-20 x .5" Lg.	48	746-0613A	Choke Control 46" Lg.
18	725-1657A	Safety Switch	49	725-0925	Ammeter†
19	712-0272	Hex Sems Nut #10-24 Thd.	51	725-1717	Ignition Switch
20	710-0749	Hex Bolt 10-24 x 1.0" Lg.	52	725-0201	Ignition Key
21	712-0287	Hex Nut 1/4-20 Thd.*	53	17293B	Dash Support Brkt.—R.H.
22	736-0329	L-Wash. 1/4" I.D.*	54	17294B	Dash Support Brkt.—L.H.
23	710-0206	Hex Bolt 1/4-20 x .88" Lg.*	55	783-0348	Transmission Cover
24	710-1026	Hex Wash. TT-Tap Scr. 1/4-20 x 1.75" Lg.	56	720-0166	Ball Knob
25	710-0642	Hex TT-Tap Scr. 1/4-20 x .75" Lg.	57	720-0232	Knob—Blade Clutch
26	736-0463	Fl-Wash. .25" I.D. x .62"	58	710-3013	Hex Bolt 1/4-20 x .5" Lg.
27	736-0413	Spr. Wash. .39" I.D. x .62"	59	725-1426	Solenoid
28	750-0768	Spacer .26" I.D. x .375"	60	736-0222	Ext. L-Wash. 1/4" I.D.
29	738-0759	Shld. Spacer .375" Dia. x .125" Lg.	61	746-0634	Throttle Wire 35" Lg.
30	725-0963	Lamp		746-0630	Throttle Wire 39" Lg.
31	725-1650	Socket	68	831-0823A	Throttle Control Box Ass'y.
32	712-0264	Acorn Nut 1/4-20 Thd.	69	710-0779A	Truss Mach. AB-Tap Scr. #10 x .5" Lg.
33	731-0705	Headlight Housing	70	17782	Retainer Clip
			71	726-0211	U-Nut 5/16-18 Thd.
			82	731-0511-81	Trim Strip 81" Lg.

† Optional Parts

Models 829 and 849

(Style 9)

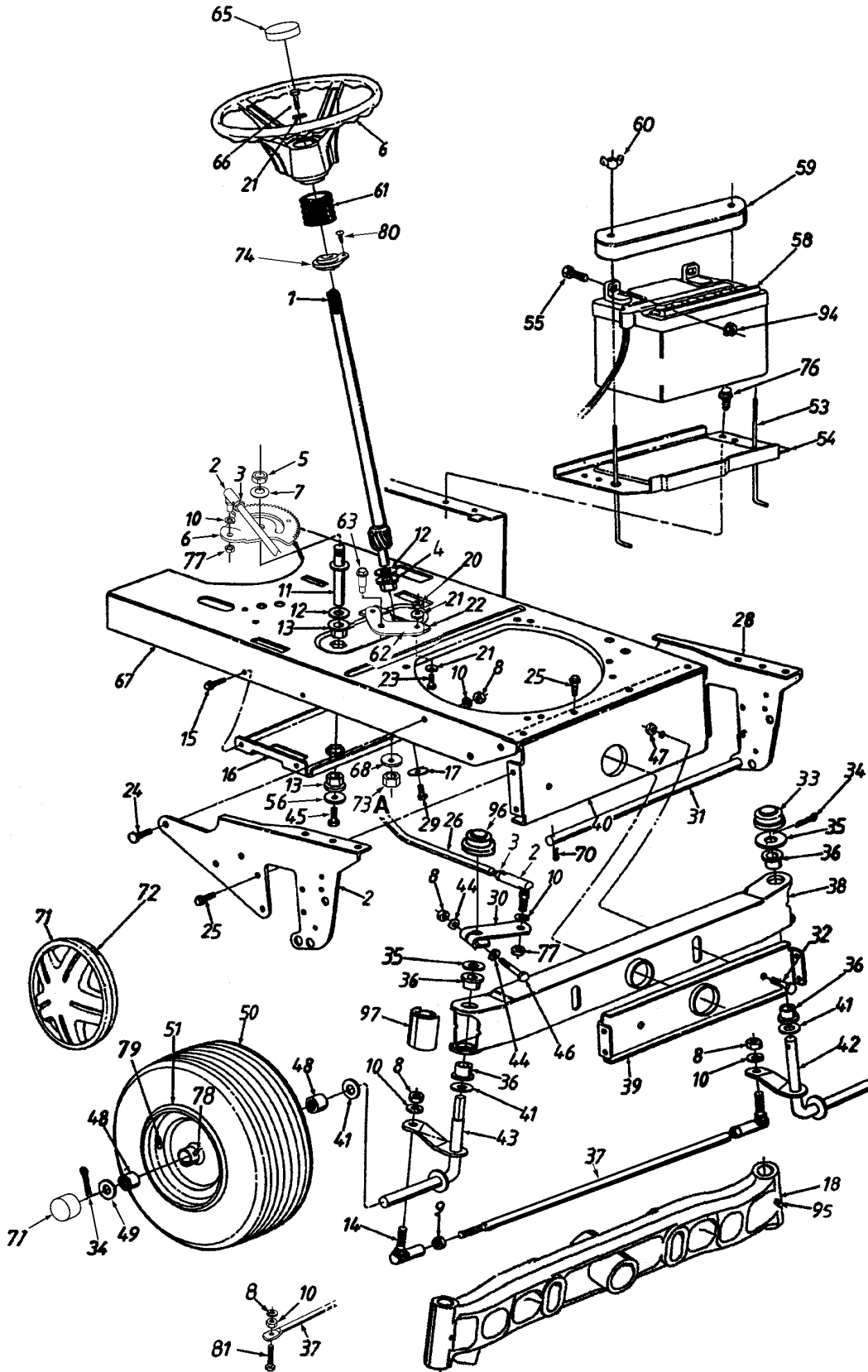


Models 829 and 849

(Style 9)

REF. NO.	PART NO.		DESCRIPTION	REF. NO.	PART NO.	DESCRIPTION
1	731-1491A	N	Hood (Red)	46	720-0166	Ball Knob
	731-1531A	N	Hood (Charcoal Gray)	50	17293B	Dash Support Brkt.—R.H.
	731-1497A	N	Hood (Oyster Gray)	55	783-0348	Transmission Cover
	731-1893A	N	Hood (Black)	63	710-3013	Hex Bolt 1/4-20 x .5" Lg.
2	16903A		Hood Plate	64	725-0925	Ammeter
3	710-1005		Hex Wash. Hd. Tap Scr. 1/4 x .5" Lg	65	16725	Side Panel Ass'y.—R.H.
4	783-0190		Hood Hinge		17309B	Side Panel Ass'y.—L.H.
5	750-0768		Spacer .34" I.D. x .437"	69	725-1717	Ignition Switch
6	710-0166		Truss Hd. Mach. Scr. 1/4-20 Thd.	70	710-0779A	Truss Mach. AB-Tap Scr. #10 x .5" Lg.
7	750-0583		Spacer .26" I.D. x .375"	71	730-3000	Reflector (Optional)
8	710-1026		Hex Wash. TT-Tap Scr. 1/4-20 x 1.75" Lg	72	783-0351	Rear Fender
9	710-0642		Hex T-Tap Scr. 1/4-20 x .75" Lg.	73	831-0823A	Throttle Control Box Ass'y.
11	710-0286		Truss Mach. Scr. 1/4-20 x .5" Lg.	74	746-0634	Throttle Control Wire 35" Lg.
12	712-0324		Hex Ins. L-Nut 1/4-20 Thd.		746-0630	Throttle Control Wire 39" Lg.
13	712-0429		Hex L-Nut 5/16-18 Thd.	75	710-0167	Carriage Bolt 1/4-20 x .5" Lg.
14	735-0126		Rubber Washer	76	725-0201	Key
16	731-1044		Headlight Lens	77	736-0222	Ext. L-Wash. 1/4" I.D.
17	17410A		Grille Ass'y.	78	17294B	Dash Support Brkt.—L.H.
18	731-1680		Dash Ass'y.	80	712-0271	Hex Sems Nut 1/4-20 Thd.
	731-1892		Dash Ass'y. w/Electric Clutch	81	720-0232	Knob
19	746-0614A		Choke Control	82	710-0751	Hex Bolt 1/4-20 x .62" Lg.
20	731-0705		Headlight Housing	83	726-0106	Push Nut
23	710-3008		Hex Bolt 5/16-18 x .75" Lg.	84	16985	PTO Rod
24	710-0924		Truss Mach. Scr. 1/4-20 x .75" Lg	85	736-0173	Fl-Wash. .281" I.D. x .73"
25	710-0599		Hex Wash. Hd. Scr. 1/4" x .5" Lg.	86	16984	PTO Lever
26	731-1360		6-Speed Selector Plate (829)	87	783-0460	Deck Clutch Control Brkt.
	731-1774		7-Speed Index Brkt. (849)	88	710-0102	Hex Bolt 1/4-20 x 2.5" Lg.
31	725-1426		Solenoid	89	710-0473	Truss Mach. Scr. #10-24 x .5" Lg.
32	710-0726		Hex Hd. Rolling Scr. 5/16-24 x .75" Lg.	90	725-1657A	Safety Switch
34	720-0218		Shift Knob	91	712-0121	Hex Nut #10-24 Thd.
35	725-0963		Lamp	92	16983	PTO Bracket
36	736-0242		Bell-Wash. .34" I.D. x .87"	95	731-0511-12	Trim Strip 12" Lg.
38	725-1650		Socket	100	17782	Retainer Clip
39	712-0271		Hex Sems Nut 1/4-20 Thd.	101	749-0814	Dash Support Tube
40	736-0329		L-Wash. 1/4" I.D.*	102	726-0211	U-Nut 5/16-18 Thd.
44	726-0201		Speed Nut 5/16" I.D.	103	783-0013	Dash Panel Fastening Tab
45	736-3010		Fl-Wash. .406" I.D.	104	777-8568A	Chome Label

Models 820 thru 829; 840 thru 849



Models 820 thru 829; 840 thru 849

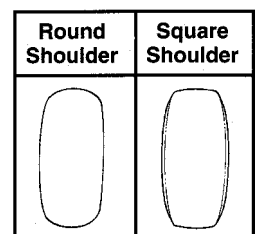
REF. NO.	PART NO.	DESCRIPTION	REF. NO.	PART NO.	DESCRIPTION
1	738-0963	Steering Shaft Ass'y.	45	710-0538	Hex L-Scr. 5/16-18 x .62" Lg.
2	723-0448	Ball Joint 7/16-20 Thd.	46	710-0331	Hex Bolt 3/8-24 x 2.25" Lg.
3	712-0240	Hex Jam Nut 7/16-20 Thd.	47	712-0431	Hex L-Nut 3/8-16 Thd.*
4	741-0656	Hex Flange Brg.	48	741-0516	Flange Brg. .75" I.D.
5	712-0318	Hex Jam Nut 5/8-18 Thd.	49	736-0316	Fl-Wash. .71" I.D. x 1.5" O.D.
6	717-0943C	Steering Gear Segment	50	**	Wheel Ass'y. Comp. (See Chart)
7	736-0317	Bell-Wash. 5/8" I.D. x 1.25" O.D.		**	Tire Only (See Chart)
8	712-0241	Hex Nut 3/8-24 Thd.	51	**	Rim Only
9	712-0711	Hex Jam Nut 3/8-24 Thd.	53	711-0222A	Battery Hold Down Rod
10	736-0169	L-Wash. 3/8" I.D.*	54	783-0346A	Battery Plate
11	738-0768	Steering Gear Segment Shaft	55	710-3015	Hex Bolt 1/4-20 x .75" Lg. (Gr. 5)
12	736-0187	Fl-Wash. .64" I.D. x 1.24" O.D.	56	736-0343	Fl-Wash. .33" I.D. x 1.25" O.D.
13	748-0227A	Hex Flange Brg. .63" I.D.	58	725-1707C	Battery
14	723-3018	Ball Joint Ass'y.	59	731-1683	Battery Cover
15	710-0599	Hx Wash. Hd. TT-Tap Scr. 1/4-20 x .5" Lg.	60	712-3087	Wing Nut Plastic 1/4-20 Thd.
16	16888A	Deck Idler Support Brkt.	61	731-0954	Steering Bellow (Style 0, 3, 5, 9)
17	748-0389	Cap		731-0559A	Steering Bellow (Style A)
18	719-0343	Pivot Bar Ass'y. (Cast Iron)	62	783-0465	Steering Brace
19	736-0119	L-Wash. 5/16" I.D.*	63	738-0966	Shld. Bolt .5" Dia. x .925" Lg.
20	712-0123	Hex Nut 5/16-24 Thd.*	64	631-0027	Steering Wheel (4 Spoke)
21	736-0242	Bell-Wash. .345" I.D. x .88" O.D.		731-1687	Steering Wheel (3 Spoke)
22	16894	Bearing Retainer Brkt.	65	731-0220	Steering Cap (Round)
23	710-0157	Hex Bolt 5/16-24 x .75" Lg.		731-1459A	Steering Wheel Cap (Square)
24	710-0793	Ribbed Neck Bolt 3/8-24 x .8" Lg.	66	710-0643	Hex L-Bolt 5/16-18 x 1" Lg.
25	710-0604	Hex Wash. TT-Tap Scr.5/16-18 x .62" Lg.	67	17359C	Lower Frame
26	747-1106	Steering Drag Link	68	736-0452	Bell-Wash. .396" I.D. x 1.14" O.D.
27	783-0338	Pivot Bar Side Plate—R.H.	70	714-0149B	Internal Cotter Pin
28	783-0337	Pivot Bar Side Plate—L.H.	71	734-0484A	Hub Cap
29	710-1309	Pan Hd. Scr. 5/16-18 x .62" Lg.		734-1615A	Hub Cap (Gray—Opt.)
30	983-0061A	Steering Arm Ass'y.		734-1614A	Hub Cap (Beige—Opt.)
31	738-0777A	Deck Connecting Rod		734-1788A	Hub Cap (Yellow—Opt.)
32	738-0527	Shld. Bolt .498" Dia. x 2.45" Lg.	72	727-0425A	Spring Clip
33	731-0484A	Cap	73	712-3017	Hex Nut 3/8-16 Thd.
34	714-0121	Cotter Pin 5/32" Dia.	74	741-0587	Flange Bearing (Style A)
35	736-0316	Flat Washer	76	710-0896	Hex Wash. B-Tap Scr. 1/4 x .62" Lg.
36	741-0660	Flange Brg. .757" I.D.††	77	712-0262	Hex Jam L-Nut 3/8-24 Thd.
37	747-0753	Tie Rod (Adjustable)	78	737-0280	Grease Fitting
	747-0861	Tie Rod (Non-Adjustable)	79	734-0255	Air Valve
38	683-0128	Pivot Bar Ass'y. (Steel)	80	710-0837	Oval Hd. Cr.-Sunk Scr. #10 x 5/8" Lg. (Style A)
39	16889A	Pivot Bar Support Brkt.—Front	81	710-0459	Hex Bolt 3/8-24 x 1.5" Lg. (Gr. 5)
40	16890A	Pivot Bar Support Brkt.—Rear	94	712-0291	Hex L-Nut 1/4-20 Thd.
41	736-0188	Fl-Wash. .76" I.D. x 1.49" O.D.	95	737-3000	Grease Fitting†
42	638-0007A	Front Axle Ass'y.—L.H.	96	726-0341	Cap
43	638-0008A	Front Axle Ass'y.—R.H.	97	731-1649	End Cap††
44	736-0286	Bowed Washer			

† Used with Ref. #18.

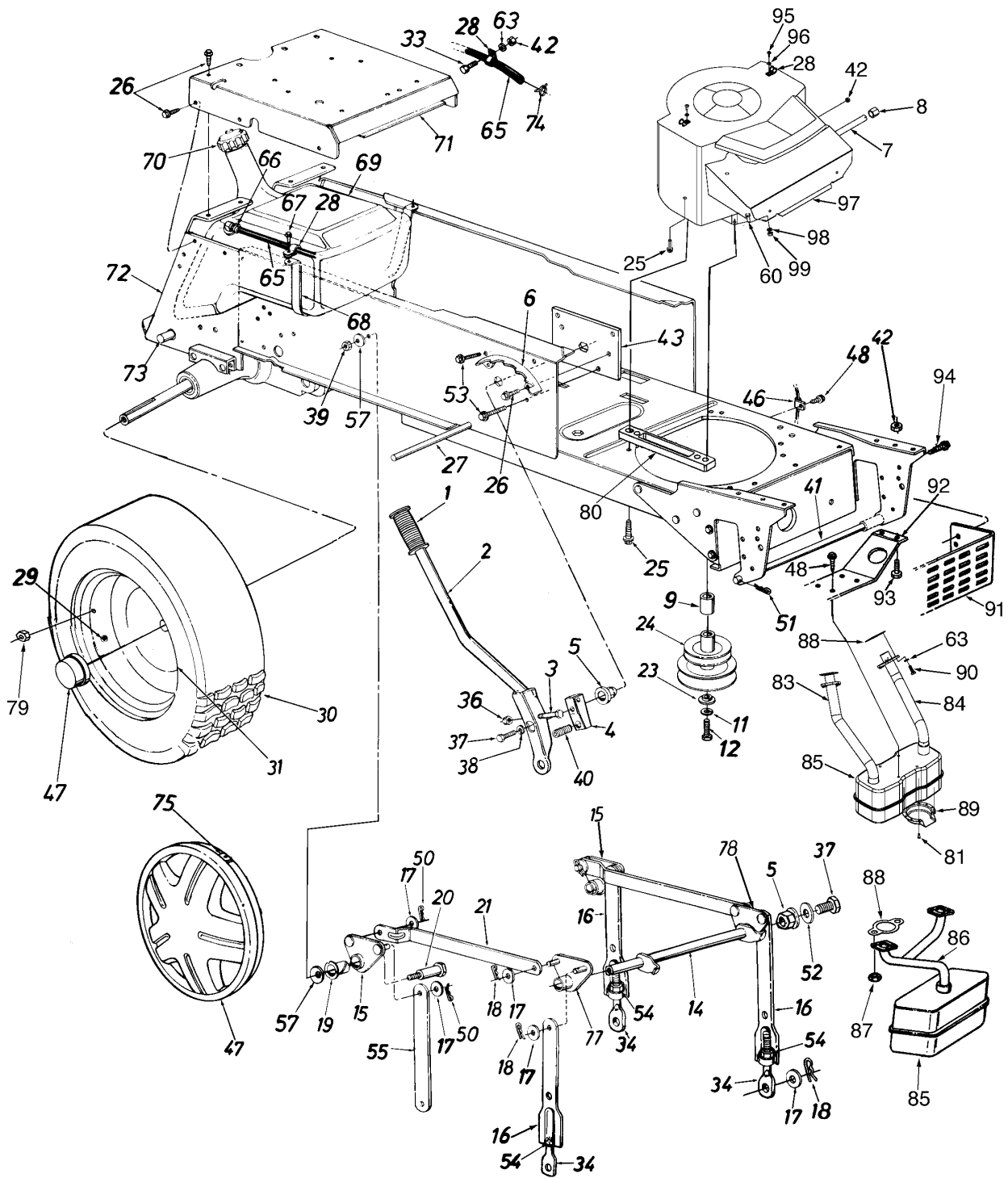
†† Used with Ref. #38.

**FRONT WHEEL CHART

DESCRIPTION	16" x 6.5"	16" x 6.5"
	ROUND SHOULDER	SQUARE SHOULDER
Wheel Ass'y. Comp.	734-1500A	634-0084
Tire Only	734-0275	734-1727
Rim Only	634-0067	634-0067
Bearing	741-0516	741-0516
Air Valve	734-0255	734-0255
Grease Fitting	737-0280	737-0280



Models 820 thru 829; 840 thru 849



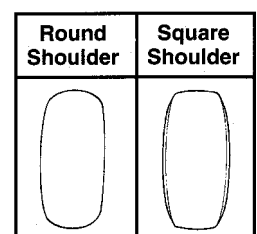
Models 820 thru 829; 840 thru 849

REF. NO.	PART NO.	DESCRIPTION	REF. NO.	PART NO.	DESCRIPTION
1	720-0233	Grip	48	710-0599	Hx Wash Hd. TT-Tap Scr. 1/4-20 x .5" L
2	97282	Lift Handle Ass'y.	50	714-0111	Cotter Pin .09 Dia. x 1.0" Lg.
3	710-0805	Hex Bolt 5/16-18 x 1.5" Lg.*	51	714-0149B	Int. Cotter Pin
4	748-0274A	Lift Shaft Drive	52	736-0231	FI Wash. .34" I.D. x 1.12" O.D. x .125"
5	741-0225	Plastic Hex Brg. 5/8" I.D.	53	710-0600	Hx Wash Hd AB-Tap Scr 5/16-24 x .5" L
6	14231	Index Brkt. Deck Lift	54	712-0206	Hex Nut 1/2-13 Thd.
7	737-0164	Pipe Nipple 3/8-18 Npt.††	55	14399	Deck Link
	737-0286	Pipe Nipple 3/8-18 x 3.8" Lg.†	56	736-0264	FI-Wash. .344" I.D.
8	737-0143	Pipe Cap 3/8-18 Npt.††	57	736-0219	Bell-Wash. .4" I.D. x 1.13" O.D.
	751-0572	Hex Soc. Pipe 1/4-18 x 7/8†	60	710-3008	Hex Bolt 5/16-18 x .75" Lg.*
9	750-0956	Spacer	63	736-0329	L-Wash. 1/4" I.D.*
11	736-0171	L-Wash. 7/16" I.D.	65	751-0535-46	Fuel Line 46" Lg.
12	710-1002	Hex Scr. 7/16-20 x 2" Lg. (Gr. 5)	66	726-0205	Hose Clamp
14	983-0101	Lift Shaft Ass'y.	67	710-0776A	Hex AB-Tap Scr. 1/4 x .62" Lg.
15	13895	Lift Pivot Brkt. Ass'y.	68	17424	Fuel Tank Strap
16	17303	Adj. Deck Lift Link	69	751-0566	Gas Tank
17	736-0192	FI-Wash. 1/2" I.D. x 1.00" O.D. x .090"	70	751-0531B	Gas Gauge
18	714-0101	Hairpin Cotter	71	683-0108A	N Seat Plate
19	741-0295	Nyliner 5/8" I.D. x .88" Lg.	72	783-0419	Hitch Plate
20	738-0445	Shld. Bolt 5/8" Dia. x .96" Lg. 3/8-16	73	738-0482	Hitch Rod
21	13790	Connecting Link	74	726-0272	Hose Clamp
23	736-0322	Flat Wash. .44" I.D. x 1.25" O.D. x .17"	75	727-0425A	Spring Clip (Optional)
24	756-0989	Engine Pulley	77	683-0098	Pivot Brkt. Ass'y.—R.H.
25	710-0502A	Hx Wash Hd. Scr. 3/8-16 x 1.25" Lg.††	78	683-0097	Pivot Brkt. Ass'y.—L.H.
	710-1007	Hex TT-Tap Scr. 3/8-16 x 1.5" Lg.†	79	712-3050	Lug Nut 7/16-14 Thd.
26	710-0726	Hex Thd. Rolling Scr. 5/16-18 x .75" Lg.	80	783-0279	Engine Mounting Spacer†
27	738-0435	Running Board Rod	81	710-0148	Hex Hd. F-Tap Scr. #8-32 x .38" Lg.††
28	726-0272	Clamp	82	710-0604	Hex TT-Tap Scr 5/16-18 x .62" Lg.
29	734-0255	Air Valve	83	751-0624	Exhaust Tube—R.H.††
30	**	Rear Wheel Ass'y. Comp.	84	751-0623	Exhaust Tube—L.H.††
	**	Tire Only	85	751-0616	Muffler††
31	**	Rear Wheel Rim Only		751-0617	Muffler†
32	736-0345	Flat Washer	86	751-0608	Exhaust Pipe†
33	710-0751	Hex Bolt 1/4-20 x .62" Lg.	87	712-3086	Flange Nut M8 x 1.25 Thd.†
34	711-0817	Eye Bolt Adj. Link 1/2-13 Thd.	88	721-0346	Exhaust Gasket††
36	712-0158	Hex Cent. L-Nut 5/16-18 Thd.		721-0377	Exhaust Gasket†
37	710-0237	Hex Bolt 5/16-24 x .62" Lg.*	89	751-0564	Muffler Deflector††
38	736-0119	L-Wash. 5/16" I.D.*	90	710-3015	Hex Bolt 1/4-20 x .75" Lg.††
39	712-0181	Hex Top L-Nut 3/8-16 Thd.	91	783-0023A	Heat Shield
40	732-0369	Compression Spring	92	17958	Muffler Mounting Brkt.
41	738-0777A	Deck Connecting Rod	93	710-0751	Hex Bolt 1/4-20 x .62" Lg.
42	712-0271	Hex Sems Nut 1/4-20 Thd.*	94	710-0604	Hex TT-Tap Scr. 5/16-18 x .62" Lg.
43	14170	Index Brkt. Reinforcement Plate	95	710-0351	Truss Mach. B-Tap Scr. #10 x .5" Lg.††
46	726-0273	Mounting Clamp	96	736-3067	FI-Wash. .188" I.D. x .438" O.D.
47	731-0556	Hub Cap	97	783-0452	Front Heat Shield††
	734-1617A	N Spoked Hub Cap (Gray—Opt.)	98	736-0119	L-Wash. 5/16" I.D.*††
	734-1616A	N Spoked Hub Cap (Beige—Opt.)	99	712-3010	Hex Nut 5/16-18 Thd. (Gr. 5)††
	734-1789A	N Spoked Hub Cap (Yellow—Opt.)			

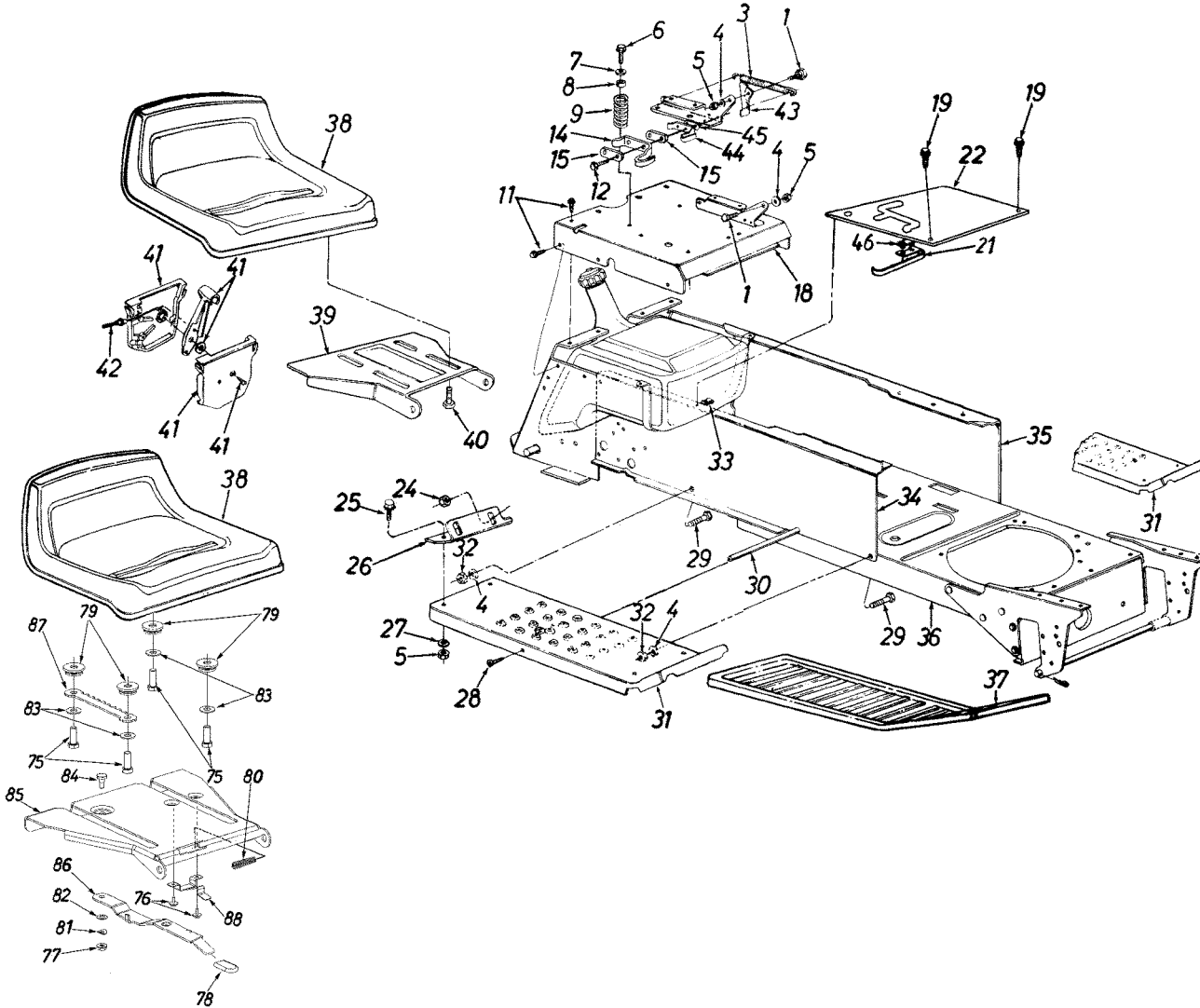
† Used on Kohler Engine Only.

†† Used on Briggs and Stratton Engines Only.

** REAR WHEEL CHART		
Description	23" x 9.5" Round Shoulder	23" x 9.5" Square Shoulder
Wheel Ass'y Comp.	634-0133	634-0132
Tire Only	734-0322	734-1728
Rim Only	634-3178	634-3178
Air Valve	734-0255	734-0255



Models 820 thru 829; 840 thru 849

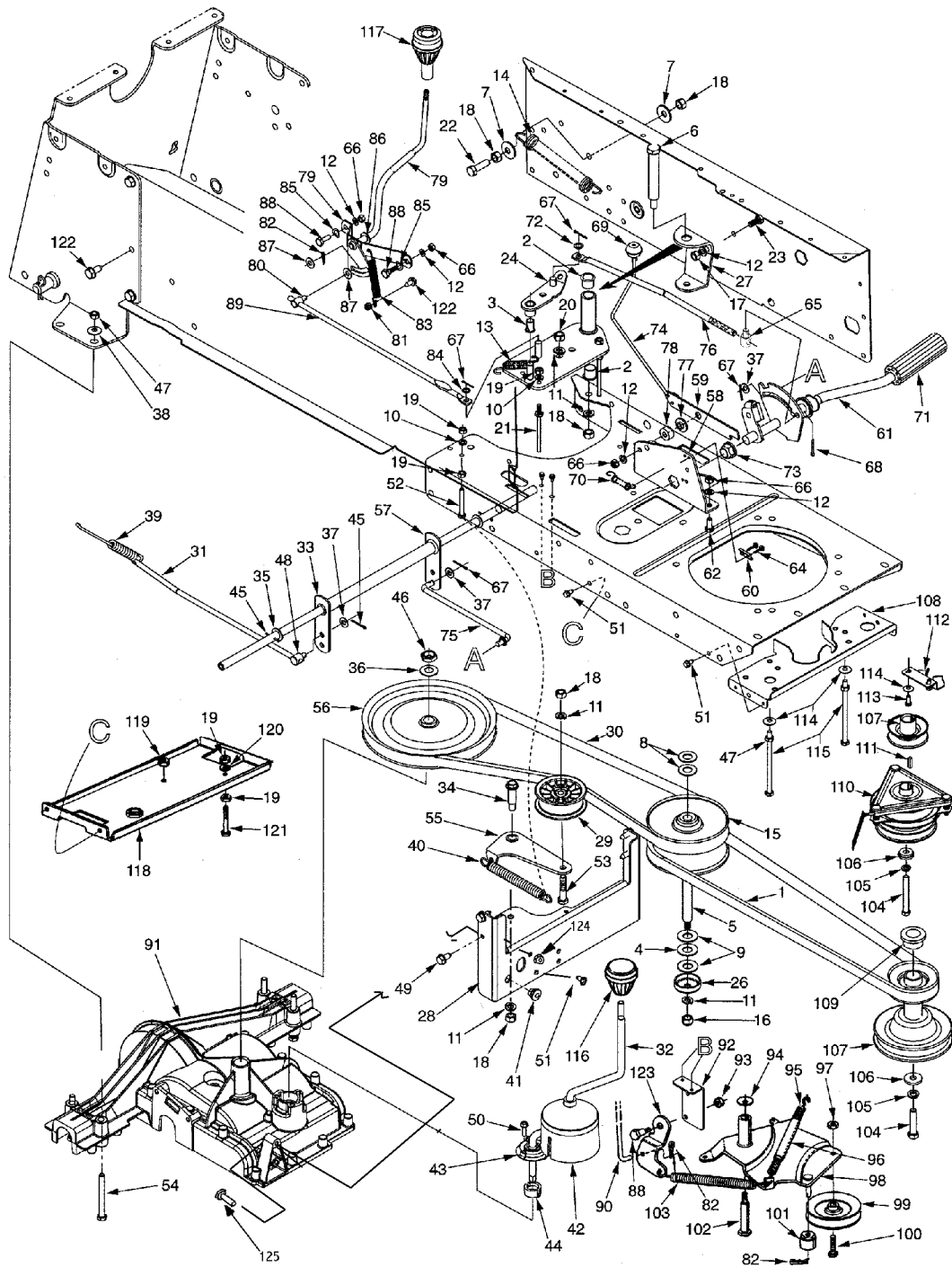


Models 820 thru 829; 840 thru 849

REF. NO.	PART NO.	CODE	DESCRIPTION	REF. NO.	PART NO.	CODE	DESCRIPTION
1	738-0296		Shld. Bolt .437" Dia. x .162"	34	17360C		R.H. Side Frame
3	732-0581B		Ext. Spring 5.31" Lg.	35	17361D		L.H. Side Frame
4	736-0119		L-Wash. 5/16" I.D.*	36	17359C		Lower Frame
5	712-3010		Hex Nut 5/16-18 Thd. (Gr. 5)	37	731-1052		Rubber Foot Pad (Optional)
6	710-0650		Hex Wash. Hd. Tap Scr. 5/16 -18 x .7" Lg.	38	757-0363A		Seat 8-7/8" High
7	736-0159		FI-Wash. .344" I.D.		757-0360A		Seat 10-5/8" High
8	722-0160		Bushing		757-0365		Seat 10-5/8" High (Yellow)
9	732-0588		Compression Spring		757-0350		Seat 14-1/4" High
11	710-0726		Hex Wash. Hd. AB-Tap Scr. 5/16 x .75" Lg.	39	757-0372		Seat 14-1/4" High (Yellow)
12	710-0227		Hx Wash. Hd. AB-Tap Scr. #8 x .5" Lg.	40	783-0039A		Seat Pivot Bracket
14	725-1303		Spring Switch	41	710-0870		Hex Tap Scr. 3/8-16 x .62" Lg.
15	726-0279		Insulator Plate	42	831-0823A		Throttle Control Box Ass'y.
18	683-0108A	N	Seat Plate	43	746-0634		Throttle Control Wire 35" Lg.
19	710-0351		Truss Mach. B-Tap Scr.	44	746-0630		Throttle Control Wire 39" Lg.
20	731-0405		Snap Bushing	45	17239A		Seat Lift Bracket
21	725-1713	N	Reverse Safety Switch	46	725-1439		Seat Spring Switch
22	783-0348	N	Shift Cover (Style 0,3,5,8,9,)	45	726-0278		Insulator Boss Plate
	783-0430		Shift Cover (Style 4,6)	46	726-0320		Insulator Nut Plate
24	712-0271		Hex Sems Nut 1/4-20	75	710-0514		Hex Bolt 3/8-16 x 1" Lg. **
25	710-3008		Hex Bolt 5/16-18 x .75" Lg.	76	710-1268		Hex Wash. Hd. B-Tap Scr. #10-16 x .38" Lg. **
26	15846		Fender Bracket—R.H.	77	712-3027		Hex Flanged L-Nut 1/4-20 Thd. **
	15847		Fender Bracket—L.H.	78	720-0309		Seat Adjustable Grip **
	17406		(Style 4, 6, 9)	79	731-1924	N	Spacer **
	17407		Fender Bracket—L.H.(Style 4, 6, 9)	80	732-0499		Compression Spring 1.5" Lg. **
27	736-0242		Bell-Wash. .345" I.D. x .88" O.D.	81	736-0175		Spring Wash. .265" I.D. x .56" O.D. **
28	710-0323		Truss Mach. Scr. 5/16-18 x .75" Lg.	82	736-0204		FI-Wash. .344" I.D. x .62" O.D. **
29	710-1012		Rib Neck Bolt 5/16-24 x .75" Lg.	83	736-0300		FI-Wash. .406" I.D. x .875" O.D. **
30	738-0435		Running Board Rod	84	738-0137A		Shld. Bolt .34" x 1/4 -20 Thd. **
31	16922		Running Board—R.H.	85	783-0607	N	Seat Pivot Bracket **
	16921		Running Board—L.H.	86	783-0609	N	Seat Lever **
32	712-0123		Hex Nut 5/16-24 Thd.	87	783-0610	N	Seat Selector **
33	726-0139		Speed Nut #10Z	88	783-0611	N	Seat Stop **

** Optional

Models 820 thru 829; 840 thru 849



Models 820 thru 829; 840 thru 849

REF. NO.	PART NO.		DESCRIPTION	REF. NO.	PART NO.		DESCRIPTION
1	754-0280		"V"-Belt	55	683-0154		Idler Brkt. Ass'y.
2	741-0495		Flange Brg.	56	656-0004		Trans. Pulley
3	741-0419		Flange Nyliner Brg.	57	650-0006		Cross Brkt. Tube Ass'y.
4	741-0405		Thrust Brg.	58	16924A		Clutch Ass'y. Mtg. Bracket
5	738-0956		Shaft	59	16980A		Brake Lockout Brkt.
6	738-0779		Shld. Bolt 3/8-24 Thd.	60	17962		Switch Plate
7	736-0452		Bell-Wash. .396" I.D. x 1.14" O.D.	61	647-0021		Pedal Ass'y.
8	736-0414		FI-Wash. .56" I.D. x 1.12" O.D.	62	710-3008		Hex Bolt 5/16-18 x .75" Lg.*
9	736-0355		FI-Wash. .5" I.D. x 1" O.D.	63	710-0528		Hx Bolt 5/16-18 x 1.25" Lg. (Gr. 5)
10	736-0329		L-Wash. 1/4" I.D.*	64	710-0589		Hex Hd. Tap Scr. #10-16 x .75" Lg.
11	736-0169		L-Wash. 3/8" I.D.*	65	711-0832		Ferrule
12	736-0119		L-Wash. 5/16" I.D.*	66	712-3010		Hex Nut 5/16-18 Thd.
13	732-0568		Ext. Spring 2.54" Lg.	67	714-0111		Cotter Pin 1" Lg.
14	732-0459		Ext. Spring 6.96" Lg.	68	714-0115		Cotter Pin 1/8" Dia. x 1" Lg.
15	717-0800A		Variable Speed Pulley	69	720-0166		Ball Knob
16	712-3061		Hex L-Nut 3/8-24 Thd.	70	732-0395		Ext. Spring 2.51" Lg.
17	712-3057		Hex Nut 5/16-24 Thd. (Gr. 5)	71	735-0196		Foot Pad
18	712-3017		Hex Nut 3/8-16 Thd. (Gr. 5)	72	736-0117		FI-Wash. 3/8" I.D. x .62" O.D.
19	712-3006		Hex Nut 1/4-20 Thd. (Gr. 5)	73	741-0225		Hex Flange Bearing
20	712-0241		Hex Nut 3/8-24 Thd.	74	747-0644		Pedal Lock Rod
21	711-1000		Belt Keeper	75	747-0724A	N	Brake Link Rod
22	710-3005		Hex Bolt 3/8-16 x 1.25" Lg.	76	747-0726		Speed Control Link
23	710-0157		Hex Bolt 5/16-24 x .75" Lg. (Gr. 5)	77	748-0234		Shld. Spacer
24	683-0115		Variable Speed Torque Brkt. Ass'y.	78	750-0214		Spacer .34" I.D. x .87" O.D.
25	683-0114		Variable Speed Brkt.	79	647-0011		Speed Selector Lever Ass'y.
26	17485		Retainer Cup	80	711-0723A		Ferrule
27	17180		Support Brkt.	81	712-0429		Hex L-Nut 5/16-18 Thd.
28	783-0402A	N	Trans. Torque Brkt.	82	714-0104		Hairpin Clip
29	756-0981		Flat Idler	83	732-0429A		Ext. Spring 3.97" Lg.
30	754-0446		"V"-Belt	84	736-0117		FI-Wash. 3/8" I.D. x .62" O.D.
31	747-0640		Brake Rod	85	736-0141		Spr. Wash. 7/16" I.D.
32	747-0639A	N	Shift Lever	86	736-0192		FI-Wash. .531" I.D. x .93" O.D.
33	741-0491		Flange Nyliner Brg.	87	736-0267		FI-Wash. 3/8" I.D. x .87" O.D.
34	738-0967		Shld. Bolt 3/8-16 Thd.	88	738-0296		Shld. Bolt .437" x .286"
35	736-3068		FI-Wash. .5" I.D. x .875" O.D.	89	747-0729		Speed Control Link Rod
36	736-0427		Bell-Wash. .567" I.D. x 1.125" O.D.	90	747-0750A		Deck Control Rod
37	736-0275		FI-Wash. 5/16" I.D.	91	618-0312		Transmission Complete
38	736-0242		Bell-Wash. .345" I.D. x .88" O.D.	92	13833A		Parking Brake Mtg. Brkt.
39	732-0642		Ext. Spring 7.3" Lg.	93	712-0158		Hex L-Nut 5/16-18 Thd.
40	732-0384		Ext. Spring 6.12" Lg.	94	736-0105		Bell-Wash. .38" I.D. x .88" O.D.
41	741-0475		Plastic Bushing	95	732-0308		Extension Spring 6.37" Lg.
42	721-0450		Boot Shifter	96	731-0483		Conduit 4" Lg.
43	718-0272		Shifter Snout	97	712-0214		Hex Cent. L-Nut 3/8-24 Thd.
44	718-0271		Shifter Insert	98	14076A		Idler Brkt. Deck Ass'y.
45	714-0111		Cotter Pin 1" Lg.	99	756-0293A		"V"-Belt Idler
46	712-3035		Hex Jam Nut 9/16-18 Thd.	100	710-0459		Hex Bolt 3/8-24 x 1.5" Lg.
47	712-3010		Hex Nut 5/16-18 Thd. (Gr. 5)	101	748-0278		Spacer
48	711-1155		Ferrule	102	738-0129		Shld. Bolt .498" Dia. x 2.05"
49	710-0726		Hex Wash. AB-Tap Scr. 5/16-18 Thd.	103	732-0478		Extension Spring 6.12" Lg.
50	710-0642		Hex Wash. TT-Tap. Scr. 1/4-20 x .75" Lg.	104	710-1002		Hex Bolt 7/16-20 x 2.75" Lg.
51	710-0599		Hex Wash. Hd. TT-Tap Scr. 1/4-20 x .5" Lg		710-1049		Hex Bolt 7/16-20 x 3.75" Lg.†
52	710-0501		Hex Bolt 1/4-20 x 2" Lg. (Gr. 5)	105	736-0171		L-Wash. 7/16" I.D.*
53	710-0347		Hex Bolt 3/8-16 x 1.75" Lg. (Gr. 5)	106	736-0322		FI-Wash. .44" I.D. x 1.25" Lg.
54	710-0189		Hex Bolt 5/16-18 x 3" Lg. (Gr. 5)		738-0785		Shld. Spacer†

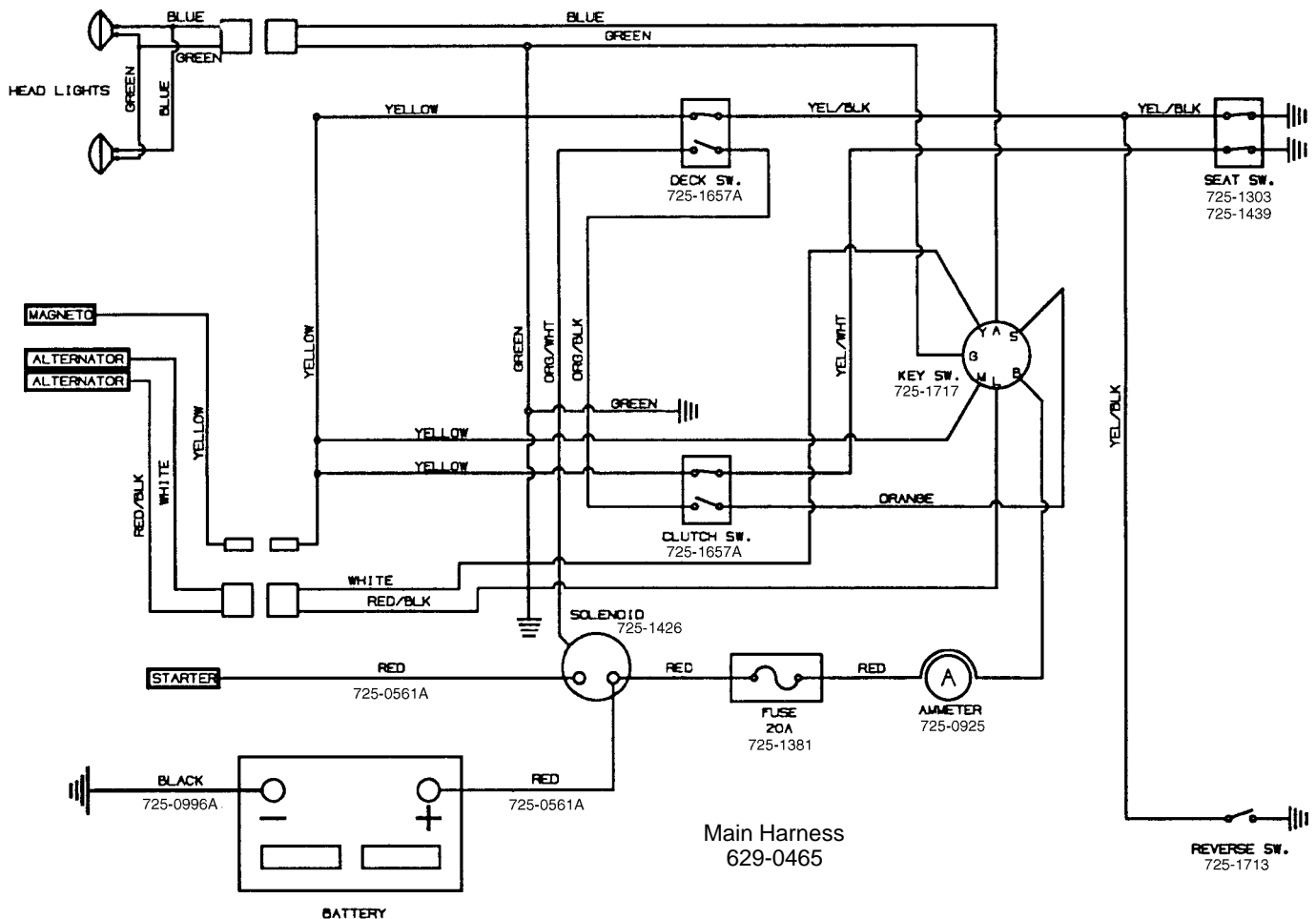
Models 820 thru 829; 840 thru 849

Continued from previous page

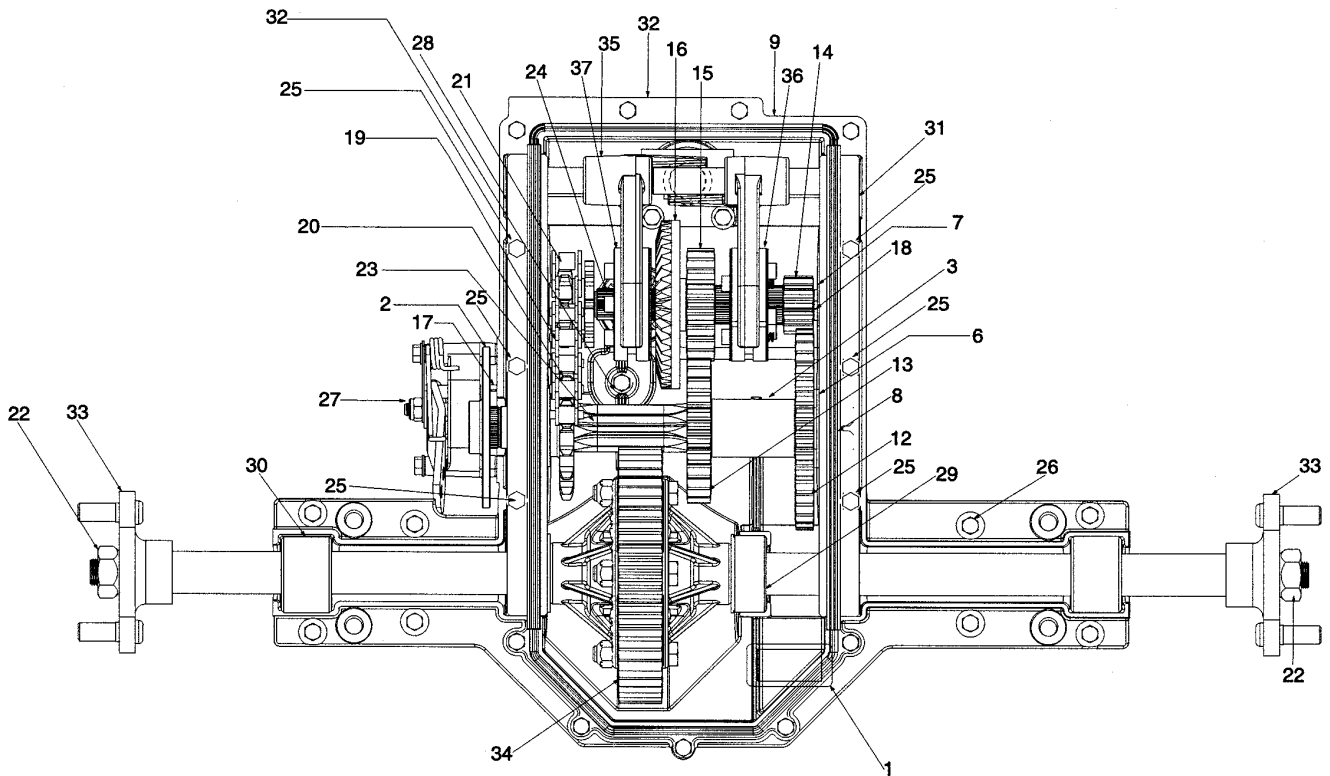
107	756-0989	Engine Pulley	118	16888A	Deck Idler Support Brkt.
	756-0990	Engine Pulley†	119	712-0375	Hex Cent. L-Nut 3/8-16 Thd.
108	17358D	Belt Guard	120	736-0329	L-Wash. 1/4" I.D.
109	750-0956	Spacer	121	710-0501	Hex Bolt 1/4-20 x 2" Lg.
110	717-1434	Electric PTO†	122	710-0726	Hex AB-Tap Scr. 5/16 x .75" Lg.
111	714-0128	Sq. Key 1/4" x 1" Lg.†	123	13887A	Deck Control Pivot Brkt.
112	17418	Torque Bracket†	124	712-3004A	Hex L-Nut 5/16-18 Thd.
113	710-3008	Hex Bolt 5/16-18 x .75" Lg.†	125	710-3083	Hex Bolt 5/16-18 x 1.375" Lg.
114	736-0242	Bell-Wash. .345" I.D. x .88" O.D.	126	736-0355	Fl-Wash. .58" I.D. x 1" O.D.
115	710-0833	Hex Bolt 5/16-18 x 5.25" Lg.			
116	720-0232	Knob			
117	720-0218	Shift Knob			

† Models with Electric PTO Only.

Models 820 thru 829; 840 thru 849 Electrical Schematic



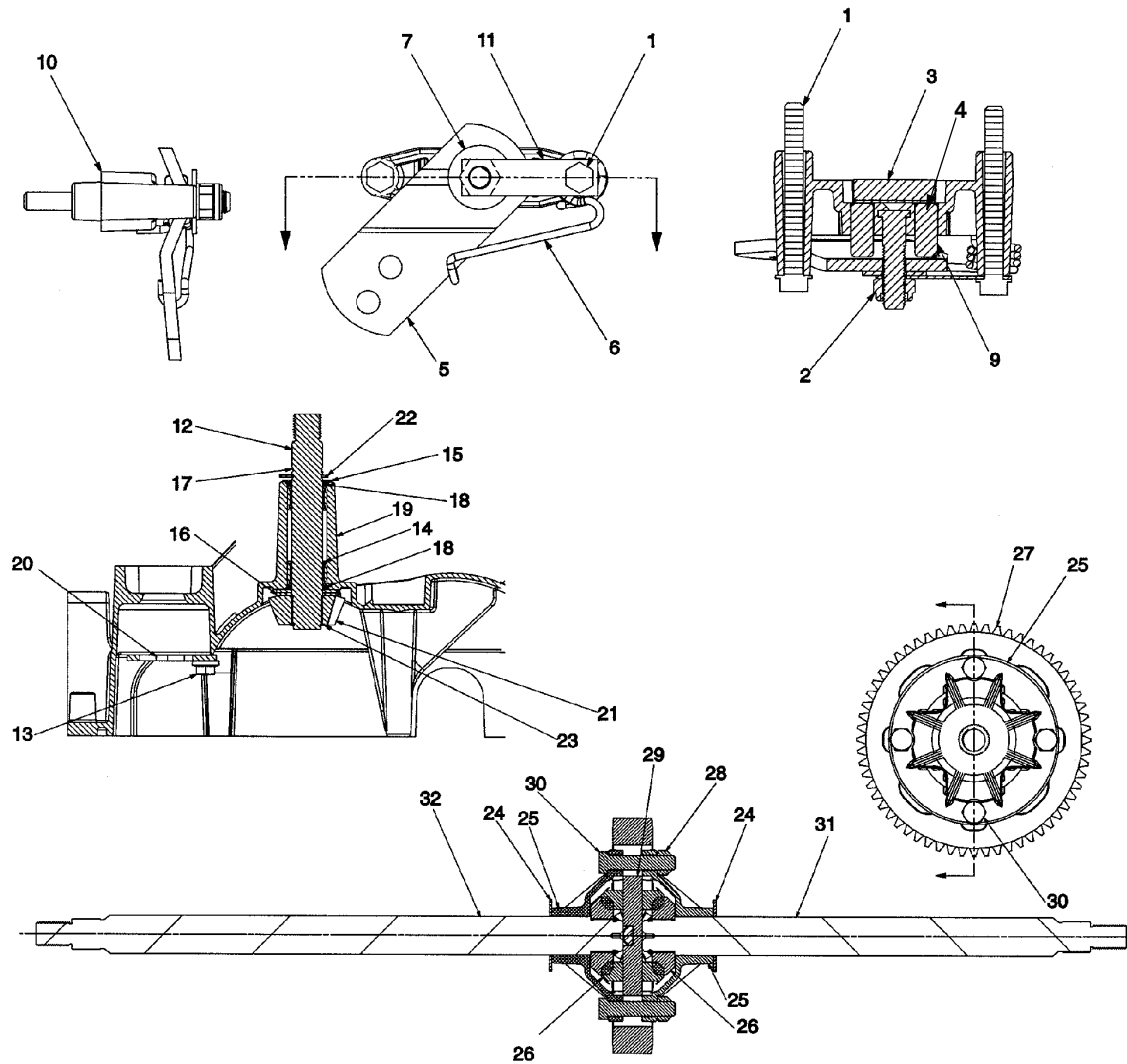
Models 820 thru 829; 840 thru 849



TRANSMISSION COMPLETE 618-0312

REF. NO.	PART NO.	DESCRIPTION	REF. NO.	PART NO.	DESCRIPTION
1	777-3045	Model I.D. Label	22	712-0364	Lug Nut 5/8-18 Thd.
2	761-0209	Disc Brake	23	711-1072	Output Shaft—R.H.
3	750-1033	Spacer 1.13" I.D. x 1.38" O.D.	24	711-1051	Drive Shaft
6	736-3046	Stop Washer	25	710-1347	Hex Wash. Hd. TT-Tap Scr. 1/4-20 x 2.62" Lg.
7	736-0337	Fl-Wash. 5/8" I.D. x 1" O.D.	26	710-0642	Hex Wash. Hd. TT-Tap Scr. 1/4-20 x .75" Lg.
8	721-0390	Gasket	27	661-0009	Brake Ass'y.—R.H.
9	721-0389	Main Gasket	28	641-0004	Bearing Block Ass'y.—R.H.
11	719-0338	Lower Housing	29	641-0003	Bearing Block Ass'y.—Inner
12	717-1442	Spur Gear 37T	30	641-0002	Bearing Block Ass'y.—Axle
13	717-1441	Spur Gear 27T	31	641-0001	Bearing Block Ass'y.—L.H.
14	717-1440	Spur Gear 10T	32	619-0017	Housing Ass'y.
15	717-1439	Spur Gear 20T	33	618-0259	Hub Ass'y.—Wheel
16	717-1438	Spur Gear 41T	34	618-0228	Differential Ass'y.
17	717-0678	Brake Puck	35	618-0227	Shift Fork Ass'y.
18	716-0131	Snap Ring	36	618-0226	Collar Ass'y.—Hi-Lo
19	713-0448	Chain Endless	37	618-0225	Collar Ass'y.—Reverse
20	713-0447	Sprocket 16T			
21	713-0446	Sprocket 9T			

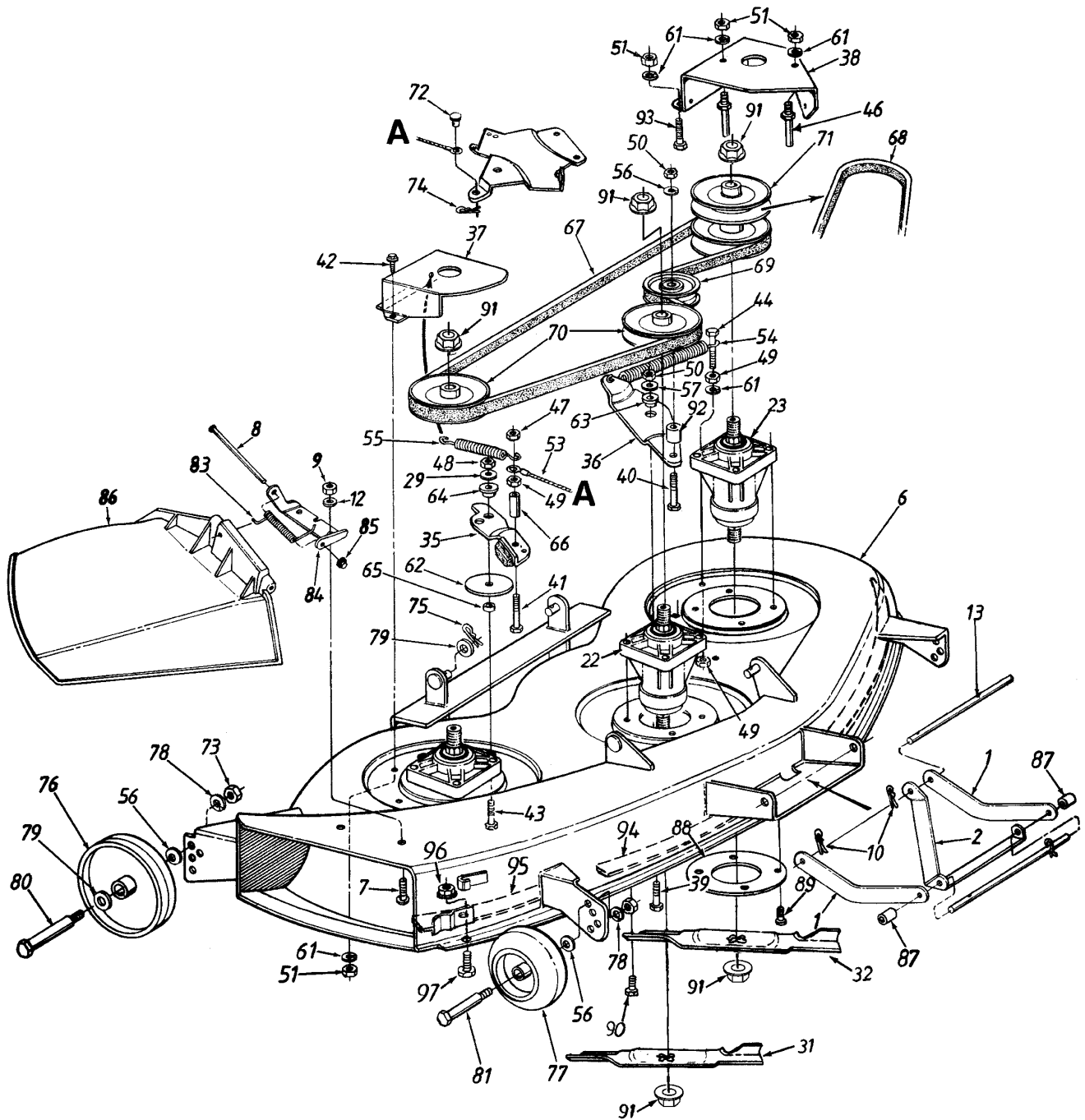
Models 820 thru 829; 840 thru 849



REF. NO.	PART NO.	DESCRIPTION	REF. NO.	PART NO.	DESCRIPTION
1	710-1206	Hex Wash. Hd. Scr. 1/4-20 x 2.37	17	732-0614	Wire Ring
2	712-0273	Nylon L-Nut 5/16-24 Thd.	18	721-0213	Seal
3	717-0678	Brake Puck	19	719-0337	Upper Housing
4	717-0682	Puck Plate	20	718-0300	Lockout Plate
5	717-0772A	Brake Arm	21	717-1463	Bevel Gear
6	732-0743	Torsion Spring	22	716-0231	Retainer Ring
7	736-0371	Fl-Wash. .343" I.D. x .88" O.D.	23	716-0114	Retainer Ring
9	741-0343	Brake Pin	24	736-3046	Fl-Wash. 1" I.D. x 1.8" O.D.
10	761-0207	Brake Yoke	25	719-0340	Differential Housing
11	761-0208	Brake Anti Rotation Brkt.	26	717-1446	10T Miter Gear
12	711-1098	Input Shaft	27	717-1443	Spur Gear 60T
13	710-0896	Hex Wash. Hd. AB-Tap Scr. 1/4-14 x .625" Lg	28	712-3054	Hex L-Nut 3/8-24 Thd.
14	741-0335	Needle Brg. .625" I.D.	29	711-1052	Cross Shaft
15	736-0336	Fl-Wash. 5/8" I.D. x 1" O.D.	30	710-0539	Hex Bolt 3/8-24 x 1.75" Lg.(Gr. 5)
16	736-0335	Thrust Wash. .635" I.D. x 1.25" O.D	31	611-0052	Axle Ass'y.—L.H.
			32	611-0051	Axle Ass'y.—R.H.

Models 820 thru 829; 840 thru 849

Deck "H"



Models 820 thru 829; 840 thru 849

Deck "H"

REF. NO.	PART NO.	DESCRIPTION	REF. NO.	PART NO.	DESCRIPTION
1	17347	Deck Stabilizer	61	736-0329	L-Wash. 1/4" I.D.*
2	17264	Diagonal Brace	62	736-0416	FI-Wash. 5/16" I.D. x 3" O.D. †
6	683-0052	46" Deck Ass'y. Comp.	63	738-0347	Shld. Spacer .625" I.D.
7	710-0751	Hex Bolt 1/4-20 x .62" Lg.	64	748-0234	Shld. Spacer †
8	711-0792	Hinge Pin	65	750-0214	Spacer .34" I.D.
9	712-3006	Hex Nut 1/4-20 Thd. (Gr. 5)	66	750-0470	Spacer .326" I.D. †
10	714-0149B	Hairpin Clip	67	754-0349	V-Belt
12	736-0270	Bell-Wash. 1/4" I.D.	68	754-0350	V-Belt
13	738-0392	Deck Connecting Rod	69	756-0627	FI-Idler Pulley 3.5" O.D.
22	618-0240	Spindle Ass'y. (R.H. & Center)	70	756-0969	Pulley 5.0" Dia.
23	618-0241	Spindle Ass'y. (L.H.) †	71	756-0977	Double Pulley 5.0" Dia.
29	736-0119	Lock Wash. 5/16" I.D.*	72	711-0701	Clevis Pin 1/4" Dia. x .53" Lg.
31	742-0645	Blade 14.88" Lg. (Middle)	73	712-0798	Hex Nut 3/8-16 Thd.
32	742-0644	Blade 16.28" Lg. (R.H. & L.H.)	74	714-0104	Intern. Cotter Pin 5/16" Dia.
35	17116	Deck Brake Brkt. Ass'y. †	75	714-0145	Intern. Cotter Pin 3/8 Dia.
36	17213	Idler Bracket	76	734-0973	Deck Wheel 5" Dia.
37	17258A	Belt Cover Brkt.—R.H.	77	734-3058B	Deck Wheel w/Insert 5" Dia.
38	783-0066A	Belt Cover—L.H.	78	736-0169	L-Wash. 3/8" I.D.*
39	710-1039	Hex Bolt 3/8-24 x 1.0" Lg.	79	736-0192	FI-Wash. .531" I.D.
40	710-0151	Hex Bolt 3/8-24 x 2" Lg.	80	738-0533	Shoulder Bolt .498" Dia. x 1.64" Lg.
41	710-0559	Hex Bolt 1/4-28 x 1.75" Lg. †	81	738-3056	Shoulder Bolt
42	710-0599	Hex Wash. Hd. Tap-Scr. 1/4-20 x .5" Lg. †	83	732-0602	Torsion Spring
43	710-0624	Hex Bolt 5/16-24 x 1.5" Lg. (Grade 5) †	84	703-1693	Hinge Mtg. Brkt.
44	710-0698	Hex Bolt 1/4-28 x 1.5" Lg.	85	726-0106	Push Nut
46	711-0993	Belt Guard Pin 1/4" Dia.	86	731-1032	Chute Ass'y. Comp. (Incl. Ref. 8, 83, 84, 85, 86)
47	712-0117	Hex Cent. L-Nut 1/4-28 Thd. †	87	750-0932A	Spacer 5/8" I.D. x 7/8" O.D.
48	712-0123	Hex Nut 5/16-24 Thd.	88	17982	Spindle Reinforcement Plate
49	712-0138	Hex Nut 1/4-28 Thd.	89	710-0650	Hex Wash. Hd. Scr. 5/16-18 x 1" Lg.
50	712-0241	Hex Nut 3/8-24 Thd.	90	710-1260	Hex Wash. Hd. Scr. 5/16-18 x .75" Lg.
51	712-3006	Hex Nut 1/4-20 Thd. (Gr. 5)	91	712-0417A	Hex Flange Nut 5/8-18 Thd.
53	727-0426	Brake Cable Ass'y. †	92	711-0242	Spacer .38" I.D.
54	732-0594A	Extension Spring 6.17" Lg.	93	710-3013	Hex Bolt 1/4-20 x .5" Lg.
55	732-0429A	Extension Spring 3.97" Lg. †	94	783-0141	Skirt—Center
56	736-0105	Bell-Wash. .38" I.D. x .88" O.D.	95	783-0142	Skirt—Right Hand
57	736-0331	Bell-Wash. .39" I.D. x 1.13" O.D.	96	712-0271	Hex Sems Nut 1/4-20 Thd.
			97	710-0167	Carriage Bolt 1/4-20 x .5" Lg.

† Not used on units with Electric P.T.O.