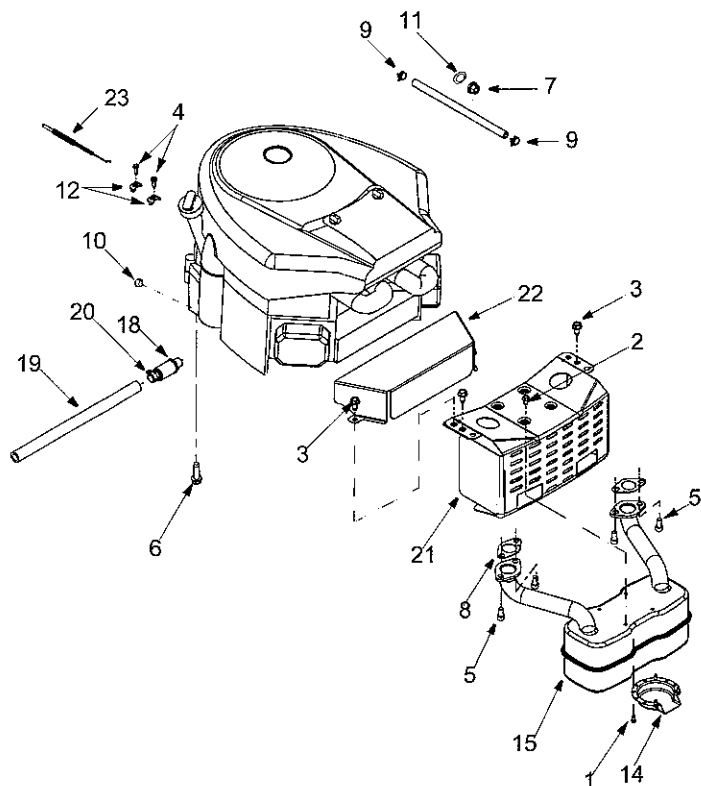
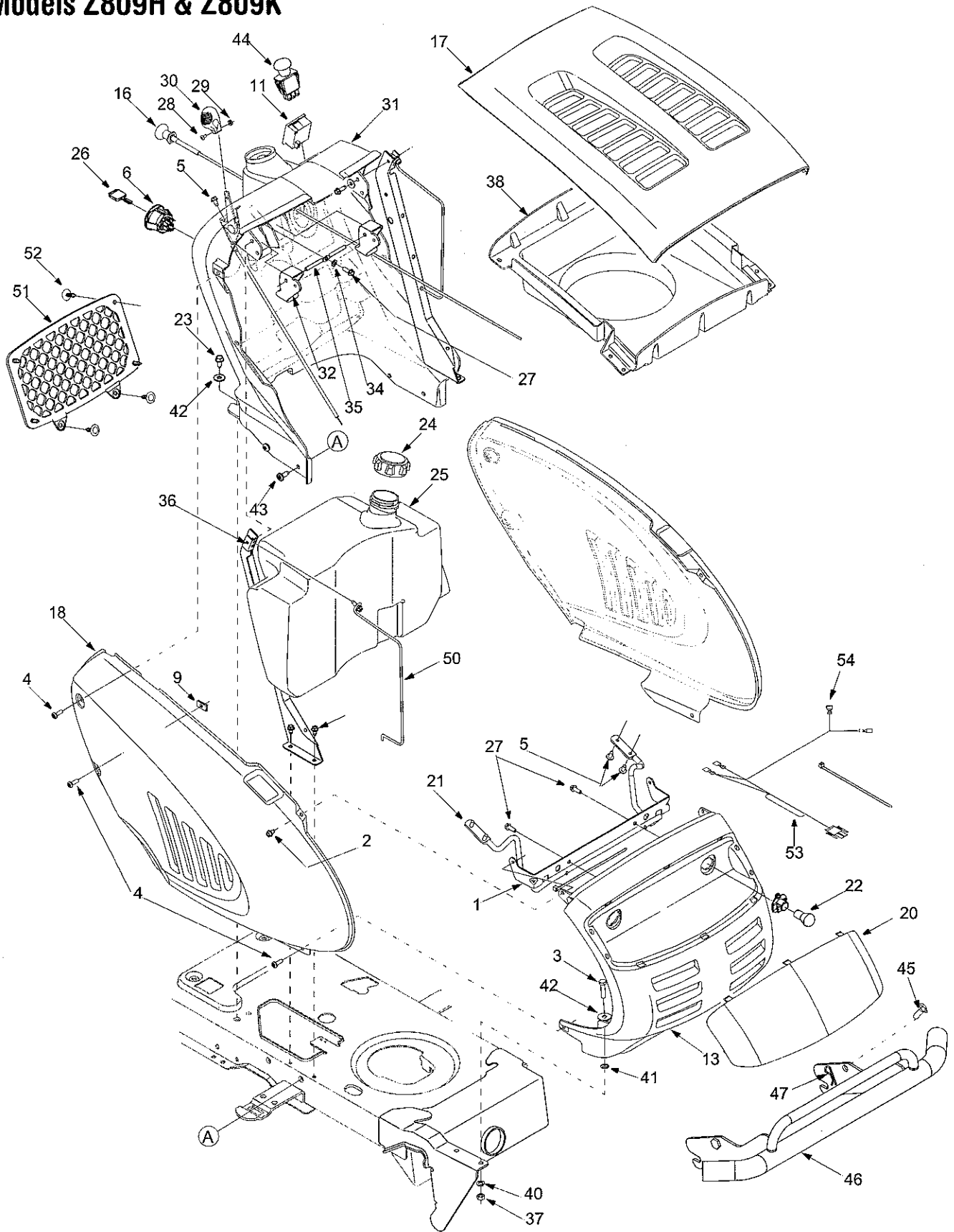


SECTION 11: PARTS LIST FOR T809H & Z809K



REF. NO.	PART NO.	DESCRIPTION
1	710-0227	Self-tapping Screw, #8-18 x 5
2	710-0599	Self-tapping Screw, 1/4-20 x 5
3	710-0726	AB Screw, 5/16-12 x .75
4	710-1237	Screw, #10-32 x 625
5	710-1314A	Socket Cap Screw, 5/16-18 x 625
6	710-1315	Self-tapping Screw, 3/8-16 x 1 25
7	712-3017	Hex Nut, 3/8-16
8	721-0460	Exhaust Gasket
9	726-0205	Hose Clamp
10	712-0271	Sems Nut
11	736-0300	Flat Washer
12	751B221535	Casing Clamp
13	751-0535	Fuel Line Hose
14	751-0564A	Muffler Deflector
15	751-0616A	Muffler, Twin Inlet
16	751-0650A	RH Exhaust Pipe
17	751-0651A	LH Exhaust Pipe
18	751-3140	Oil Drain Valve
19	751-3141	Oil Drain Hose
20	751-3142	Oil Drain Cap
21	783-0615C	Muffler Heat Shield
22	783-0625C	Engine Heat Shield
23	746-1086	Throttle Cable
24	725-0157	Cable Tie (not shown)

Models Z809H & Z809K

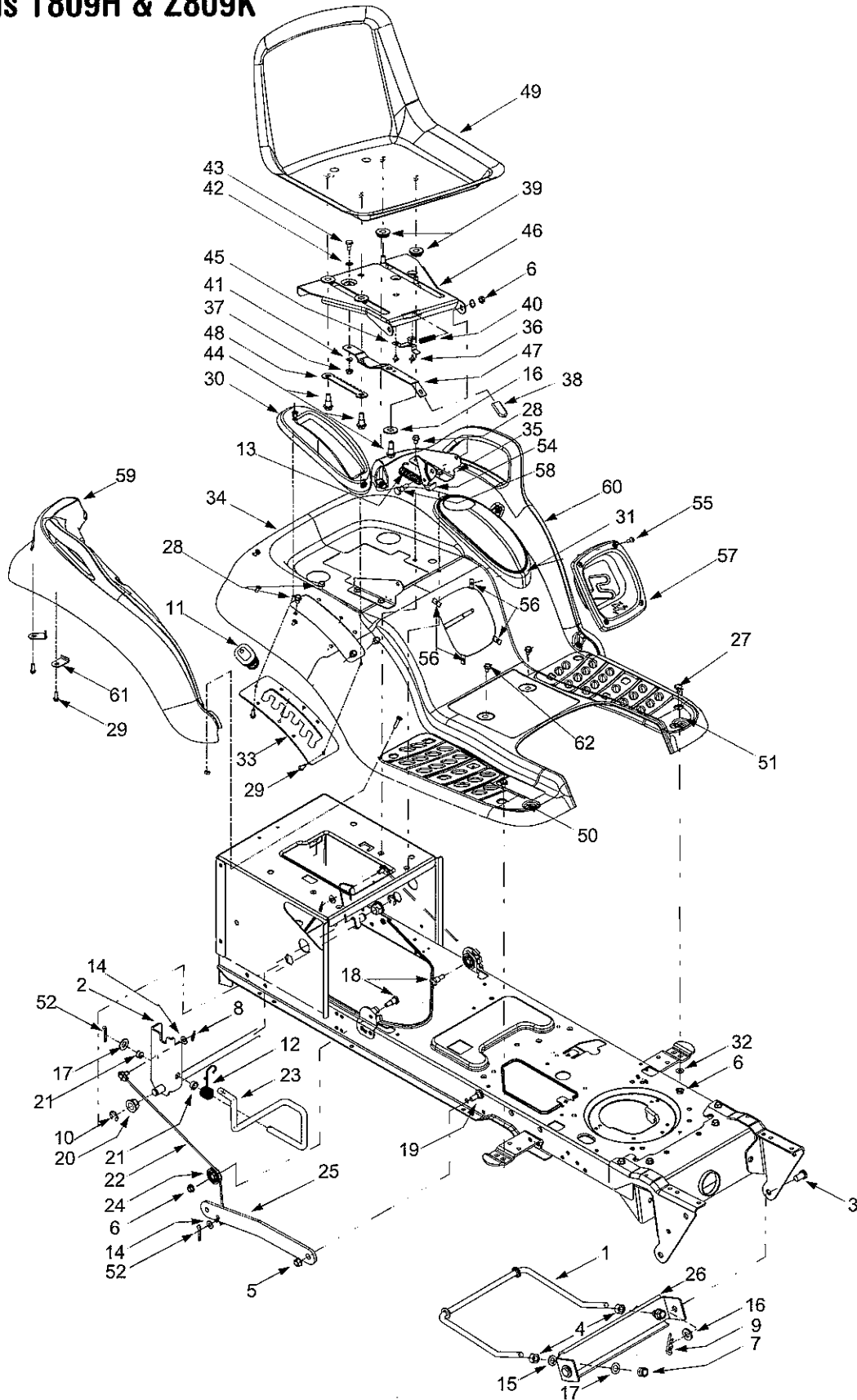


Models T809H & Z809K

REF. NO.	PART NO.	DESCRIPTION
1	783-1346	Grill Support Bracket (9-style)
2	710-0599	Self-tapping Screw, 1/4-20 x .5
3	710-0528	Hex Cap Screw, 5/16-18 x 1.25
4	710-0924	Phillips Pan Screw, 1/4-20 x .75
5	710-1017	Truss Phillips Screw, 1/4-20 x .625
6	725-1741	Ignition Switch
7	726-0272	Clamp, 9/16
8	710-0642	Self-tapping Screw, 1/4-20 x .75
9	712-0292	U-type Speed Nut, 1/4-20
10	736-0270	Bell Washer, .265 x .75 x .062
11	725-1976	Systems Indicator Monitor
	725-04036A	Hour Meter
12	712-3004A	Hex Nut, 5/16-18
13	731-2119A	Grille (9-style)
15	725-0175	Cable Tie, 3/16 x .05 x 7.4
16	746-1085A	Choke Knob/Cable
17	783-0783	Hood (9-style)
18	783-0784	RH Side Panel
19	783-04200	LH Side Panel
20	731-2637	Headlight Lens
21	747-2138	Hood Hinge Rod
22	625-0051	Headlight Assembly
23	710-0726	AB Screw, 5/16-12 x .75
24	751-0603	Fuel Cap
25	751-3213A	Fuel Tank, 3 gallon
26	725-1745	Ignition Key w/ plastic cover
	725-1744	Ignition Key w/o plastic cover
27	710-0895	Self-tapping Screw, 1/4-15 x .75
28	710-3217	Truss Phillips Screw, #8-32 x .375
29	712-0142	Hex Nut, #8-32
30	731-1857	Throttle Control Knob
31	731-2225C	Dash Panel, 8/9-style, Electric PTO
32	731-04215	Cruise Control Button
33	731-04217	Parking Brake Button
34	736-0142	Flat Washer, 9/32 x 1/2 x 1/16
35	747-1196	Brake/Cruise Pivot Rod
36	783-04285	Dash Support Plate RH
	783-04383	Dash Support Plate LH
37	712-3010	Hex Nut, 5/16-18
38	731-2270	Hood Plenum*
39	726-3046	Ratchet Clip
40	736-0119	Lock Washer, 5/16
41	726-0201	Speed Nut, .3125
42	736-3078	Flat Washer, .349 x 1.0 x .063
43	710-0650	TT Screw, 5/16-18 x .875
44	725-1752	Electric PTO Switch
45	711-0332	Clevis Pin, .50 x .78
46	768-0010	Bumper Assembly
47	714-0145	Click Pin
48	710-1611B	TT Screw 5/16-18 x 0.75
49	735-04019	Seal: Panel
50	747-04132	Tank Support Rod
51	735-04023	Cargo Net
52	726-3046	Ratchet Clip
53	629-04083	Headlight Wire Harness
54	629-04073	Tractor Wire Harness

*Not standard on all tractors.

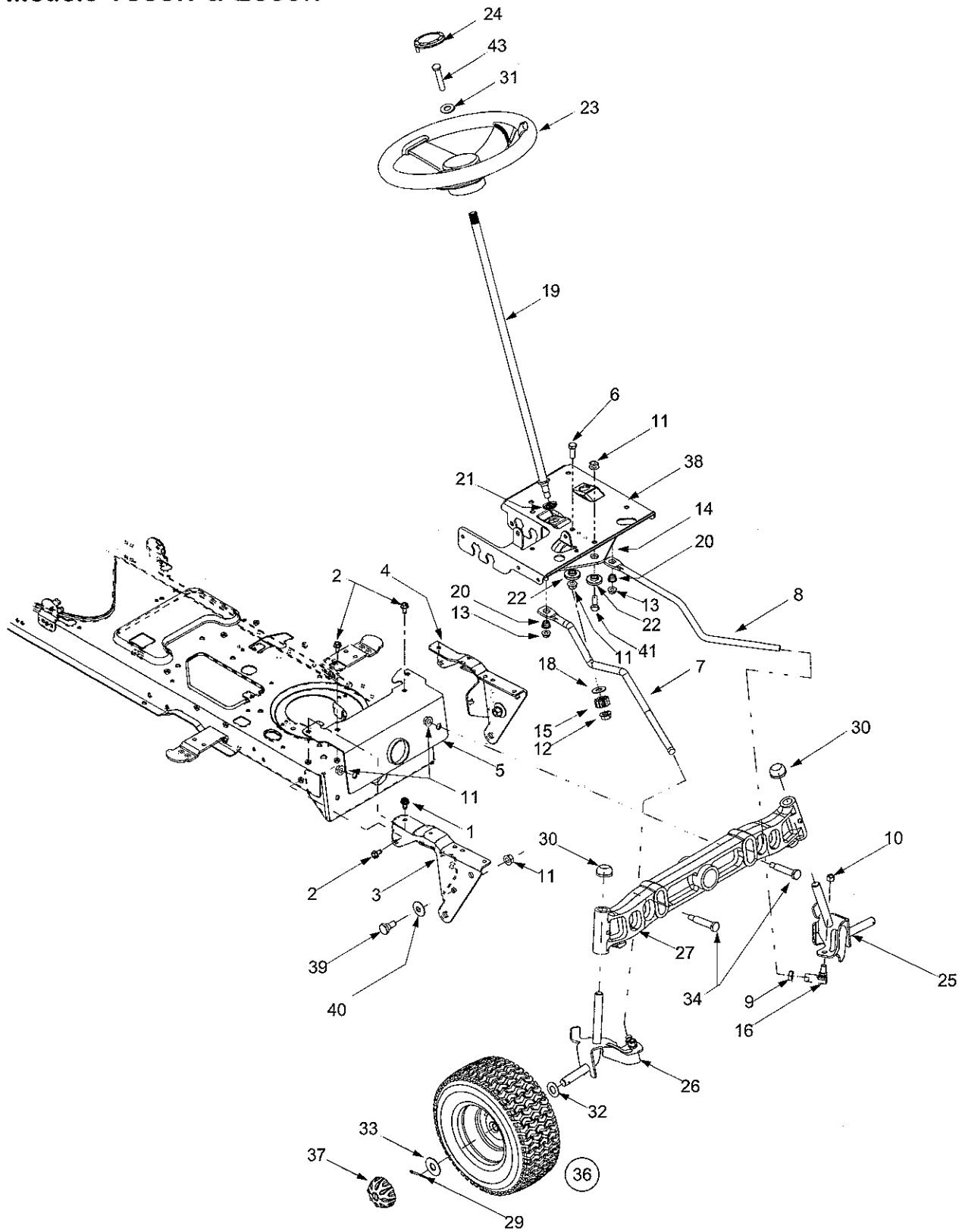
Models T809H & Z809K



Models T809H & Z809K

REF. NO.	PART NO.	DESCRIPTION	REF. NO.	PART NO.	DESCRIPTION
1	747-1130B	Deck Stabilizer Rod (Model T809H)	31	731-1993	Cover w/ Cup Holder
	747-1324	Deck Stabilizer Rod (Model Z809K)	32	736-3078	Flat Washer, 349 x 1.0 x .063
2	683-0197B	Lift Shaft Assembly (Model T809H)	33	783-0677	Lift Adjustment Bracket
	683-0462	Lift Shaft Assembly (Model Z809K)	34	783-04331	Fender
3	711-0332	Clevis Pin, .5 x .78	35	783-1489	Seat Mounting Bracket
4	712-0206	Hex Nut, 1/2-13	36	710-1268	Screw, #10-16 x .375
5	712-0431	Flange Lock Nut, 3/8-16	37	712-3027	Hex Flange Lock Nut, 1/4-20
6	712-0429	Lock Nut, 5/16-18	38	720-0309A	Seat Adjuster Grip
7	712-3083	Hex Nut, 1/2-13	39	731-04074	Spacer
8	714-0104	Internal Cotter Pin	40	732-0499	Compression Spring, 41 x 1.5
9	714-0145	Internal Cotter Pin	41	736-0275	Spring Washer, 265 x .562 x .025
10	716-0106A	E-Ring	42	736-0204	Flat Washer, .344 x .62 x .03
11	720-0311	Handle Grip	43	738-0137A	Shoulder Screw, 340 x .285, 1/4-20
12	732-0874	Torsion Spring	44	738-1007	Shoulder Screw, .50 x .50, 3/8-16
13	732-1184	Extension Spring, 84 x 4.6	45	783-0611	Seat Stop
14	736-0275	Flat Washer, 5/16	46	783-0738	Seat Pivot Bracket
15	736-0921	Lock Washer, 1/2	47	783-0739	Seat Adjustment Lever
16	736-3019	Flat Washer, 31 x 1.062 x .134	48	783-0753	Seat Adjustment Selector
17	736-3084	Flat Washer, 51 x 1.12 x .06	49	757-04010	High Back Seat, Black
18	738-0138A	Hex Cap Screw, 5/16-18 x .62	50	735-0656	RH Foot Pad
19	738-0143	Shoulder Screw, 3/8-16	51	735-0657	LH Foot Pad
20	741-0225	Hex Flange Bearing	—	726-3046	Foot Pad Clips
21	741-0715	Snap Flange Bearing	52	714-0111	Cotter Pin
22	746-0968	Lift Cable, 16.16	54	783-0209C	Seat Lift Bracket
23	747-1111A	Lift Handle	55	710-0924	Phillips Pan Screw, 1/4-20 x .75
24	756-1154	Roller Pulley	56	712-0292	U-type Speed Nut, 1/4-20
25	783-0678A	Arm Lift	57	731-2480	Shift Lever Cover
26	783-0720A	Deck Stabilizer Bracket	58	738-0296	Shoulder Screw, .437 x .286
27	710-0260A	Carriage Bolt, 5/16 x .62	59	731-2618	RH Fender Flare
28	710-0726	AB Screw, 5/16-12 x .75	60	731-2619	LH Fender Flare
29	710-0895	Self-tapping Screw, 1/4-15 x .75	61	783-1478	Fender Clips
30	731-1990	Lift Lever Cover	62	710-0599	TT Screw 1/4-20 x 0.5

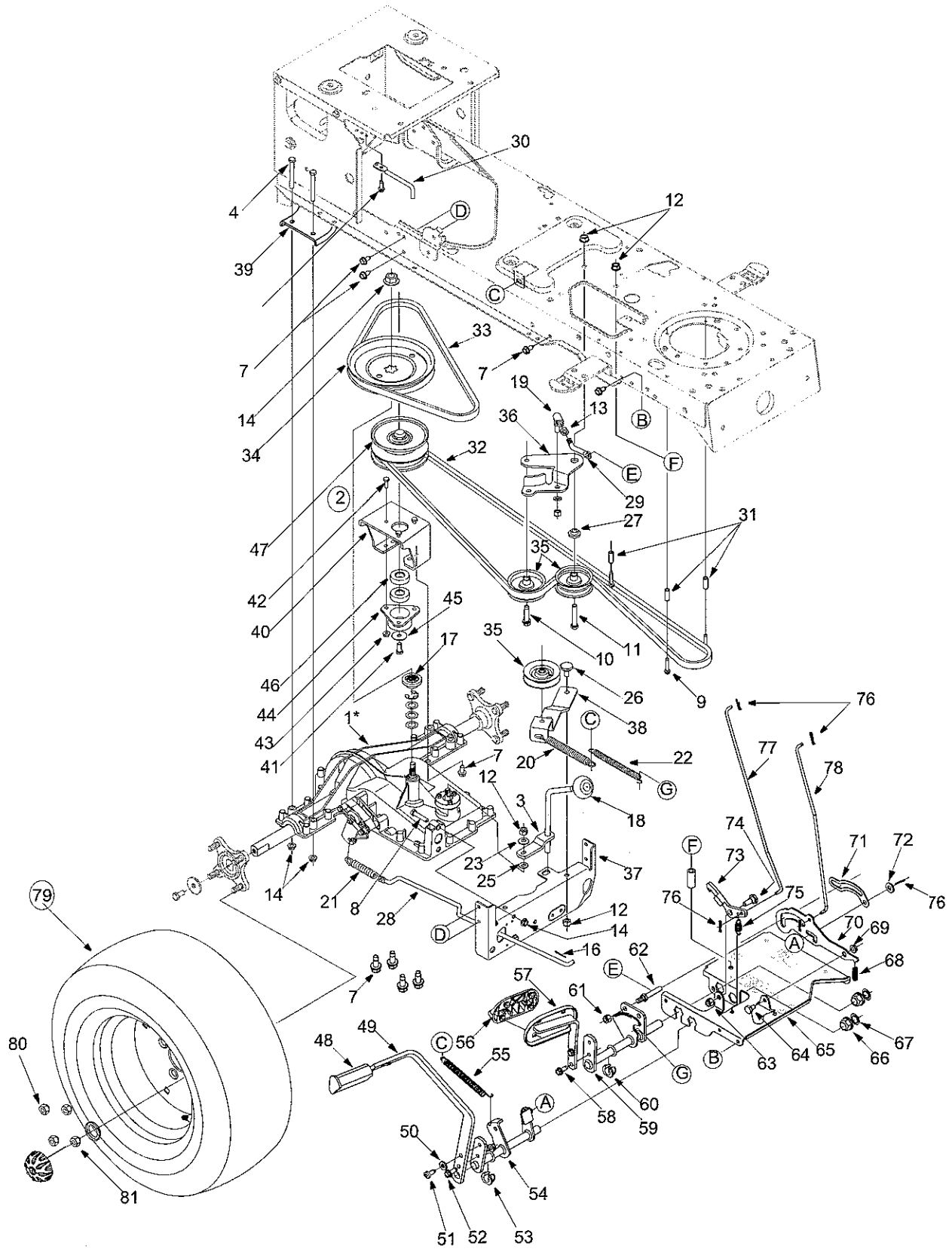
Models T809H & Z809K



Models T809H & Z809K

REF. NO.	PART NO.	DESCRIPTION
1	710-1260A	Self-tapping Screw, 5/16-18 x .75
2	710-0604A	Self-tapping Screw, 16-18 x .625
3	783-0726B	RH Pivot Support Bracket
4	783-0727A	LH Pivot Support Bracket
5	783-0728	Pivot Bar Bracket
6	710-0514	Hex Cap Screw, 3/8-16 x 1
7	711-1408	RH Drag Link
8	711-1409A	LH Drag Link
9	712-0240	Jam Nut, 7/16-20
10	712-0214	Hex Nut, 3/8-24
11	712-0130	Lock Nut, 3/8-16
12	712-0459	Flange Lock Nut, 7/16-20
13	712-3004A	Flange Lock Nut, 5/16-18
14	717-1550E	Steering Gear, 11/90 Ratio
15	717-1554	Steering Pinion Gear
16	723-0448A	Ball Joint, 7/16-20
17	736-0169	Lock Washer, 3/8
18	736-3084	Flat Washer, .51 x 1.12 x .06
19	738-1001A	Steering Shaft, .625 OD x 24.4
20	741-0475	Plastic Bushing, .38 ID
21	741-0656	Hex Flange Bearing, 5/8
22	738-0372B	Shoulder Spacer, .38 ID
23	731-04008	Steering Wheel, Soft Grip, Three Spoke
24	731-04066	Steering Wheel Cap, Round
25	638-04003	LH Axle Assembly, .75 Diameter
26	638-04004	RH Axle Assembly, .75 Diameter
27	719-0525C	Cast Iron Pivot Bar w/ Fittings, .75
29	714-0162	Cotter Pin
30	726-0341	Push Cap, .750
31	736-0242	Bell Washer, .34 x .872
32	736-0316	Flat Washer, .78 x 1.59 x .06
33	736-0285	Flat Washer, .635 x 1.589 x .06
34	738-1011	Shoulder Screw, .5 x 2.2, 3/8-16
35	710-0643	Hex Bolt, 5/16-18 X 1
36	634-04088	Wheel Assembly Complete, 16 x 6.5 x 8
	634-04082	Rim Only w/ Plastic Bearing
	734-0255	Air Valve (Not Shown)
	734-1727	Tire Only, Square Shoulder
	741-0516A	Flange Bearing
	741-0990A	Flange Bearing w/ Grease Fitting
37	734-2290A	Hub Cap
38	783-0653E	Steering Support Bracket
39	738-0143	Shoulder Screw, 3/8-16
40	736-0331	Bell Washer, .39 x 1.13 x .062
41	710-04095	Hex Bolt 3/8-16 x 1.0 Special

Models T809H & Z809K



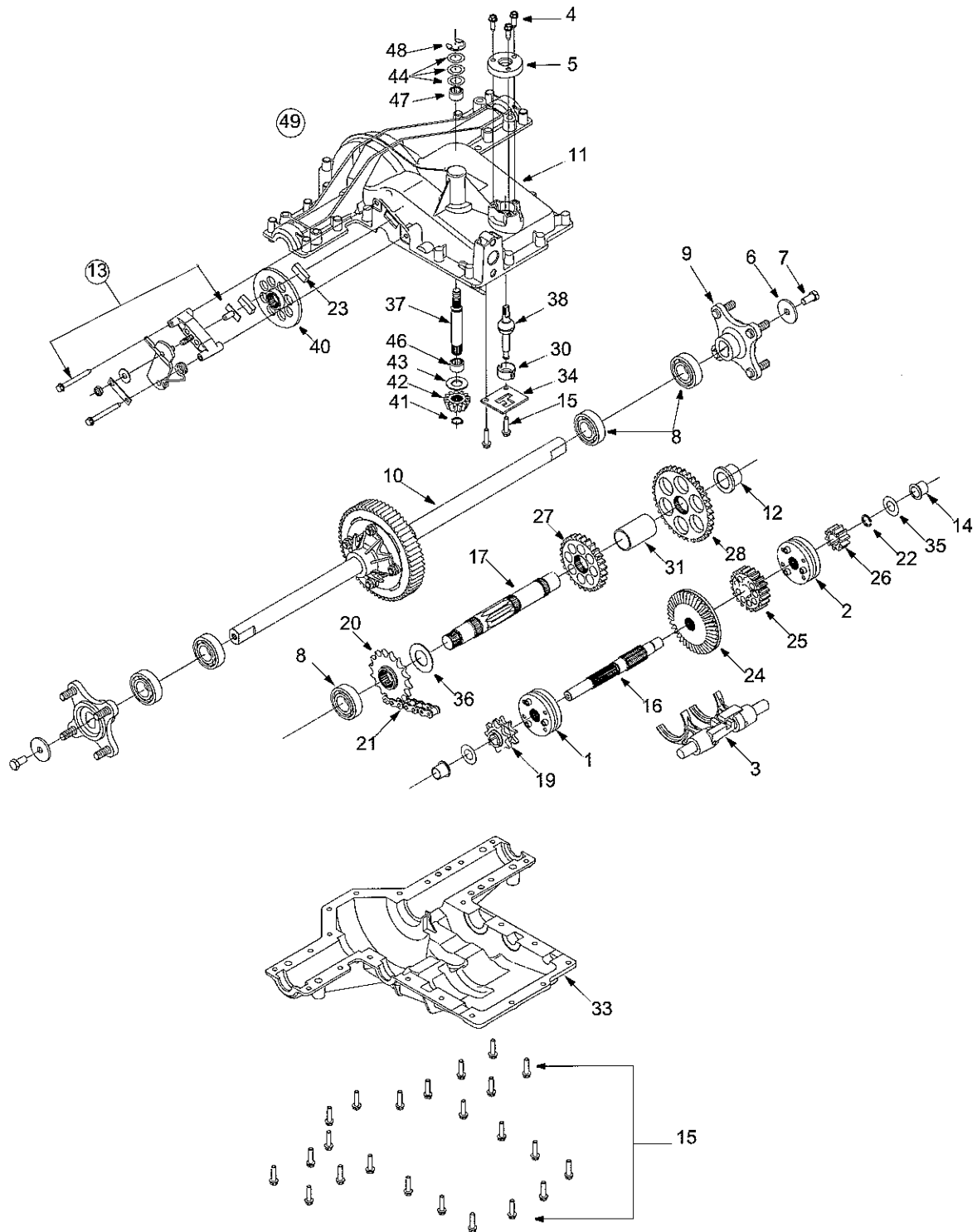
* Refer to pages 36 and 37 for break-down of this assembly

Models T809H & Z809K

REF. NO.	PART NO.	DESCRIPTION	REF. NO.	PART NO.	DESCRIPTION
1.	618-0376A	Transmission Assembly: Two Speed	43.	712-3027	Flanged Lock Nut
2.	618-04148	Variable Speed Pulley Assembly	44.	718-04012	Cup: Bearing
3.	647-04023	Shift Rod Assembly	45.	736-0362	Flat Washer
4.	710-0176	Hex Bolt 5/16-18 x 2.75	46.	741-0600	Ball Bearing
5.	710-0347	Hex Bolt 3/8-16 x 1.75	47.	656-0059A	Variable Speed Pulley
6.	710-0642	TT Screw 1/4-20 x 0.75	48.	735-3049	Brake Pad
7.	710-0726	AB Screw 5/16-12 x 0.75	49.	783-0773A	Brake Pedal
8.	710-0805	Hex Bolt 5/16-18 x 1.5	50.	736-3008	Flat Washer
9.	710-0809	TT Screw 1/4-20 x 1.25	51.	710-1611B	TT Screw 5/16-18 x 0.75
10.	710-1007	TT Sems Screw 3/8-16 x 1.5	52.	710-0650	TT Screw 5/16-18 x 0.875
11.	710-3011	Hex Bolt 3/8-16 x 2.25	53.	741-3065B	Hex Flange Bearing: Split
12.	712-0130	Lock Nut 3/8-16	54.	647-0031C	Brake Control Assembly
13.	712-0241	Hex Nut 3/8-24	55.	732-0963	Extension Spring
14.	712-0702	Flanged Nut	56.	735-0662	Control Pad
15.	712-3004A	Flanged Lock Nut	57.	683-0266	Drive Pedal Assembly
16.	714-0111	Cotter Pin	58.	710-1260A	LD Screw 5/16-18 x 0.75
17.	718-0771A	Pulley Hub	59.	647-0032A	Speed Control Assembly
18.	720-04028	Shift Knob	61.	712-0130	Hex Lock Nut 3/8-16
19.	723-3018	Ball Joint	62.	711-04159	Pin
20.	732-0478	Extension Spring	64.	738-0155	Shoulder Screw
21.	732-0716	Extension Spring	65.	783-0653F	Steering Support Bracket
22.	732-0963	Extension Spring	66.	741-0225	Hex Flange Bearing
23.	736-0105	Bell Washer	67.	726-04028	Push Nut
24.	736-0169	Lock Washer 3/8	68.	732-0335	Compression Spring
25.	736-0642	Flat Washer	69.	712-3004A	Flange Lock Nut
26.	738-0322	Shoulder Screw	70.	783-0732	Lock-Out Bracket
27.	738-0372B	Shoulder Spacer	71.	783-0780B	Neutral Return Bracket
28.	747-04136	Brake Rod	72.	736-0262	Flat Washer
29.	747-1127	Rod: Idler Adjustment	73.	748-04039	Cruise Latch
30.	747-1185	Rod: Belt Guard	74.	738-0380	Shoulder Screw
31.	750-0566A	Spacer	75.	732-0955	Extension Spring
32.	754-0467	Belt: V Type	76.	714-0104	Cotter Pin
33.	754-0468	Belt: V Type	77.	747-04093	Brake Lock Rod
34.	756-0665	Pulley	78.	747-04096	Cruise Control Rod
35.	756-0981A	Idler Pulley: Flat	79.	634-0104	Wheel Assembly
36.	783-04442	Idler Bracket: Center Double		634-0070	Rim Assembly
37.	783-0667B	Torque Bracket		734-0255	Air Valve
38.	783-0669	Idler Bracket		734-1730	Tire
39.	783-0693	Axle Bracket		734-2290A	Hub Cap
40.	618-04152	Bracket: Variable Speed		736-0430	Flat Washer
41.	710-0627	Lock Bolt 5/16-24 x 0.75	80.	712-3050	Lug Nut 7/16-14
42.	710-3015	Hex Bolt 1/4-20 x 0.75	81.	712-3026	Jam Nut

IMPORTANT: For a proper working machine, use Factory Approved Parts. **V-belts** are designed to engage and disengage safely. A substitute (non OEM) V-belt can be dangerous by not disengaging completely.

Models T809H & Z809K



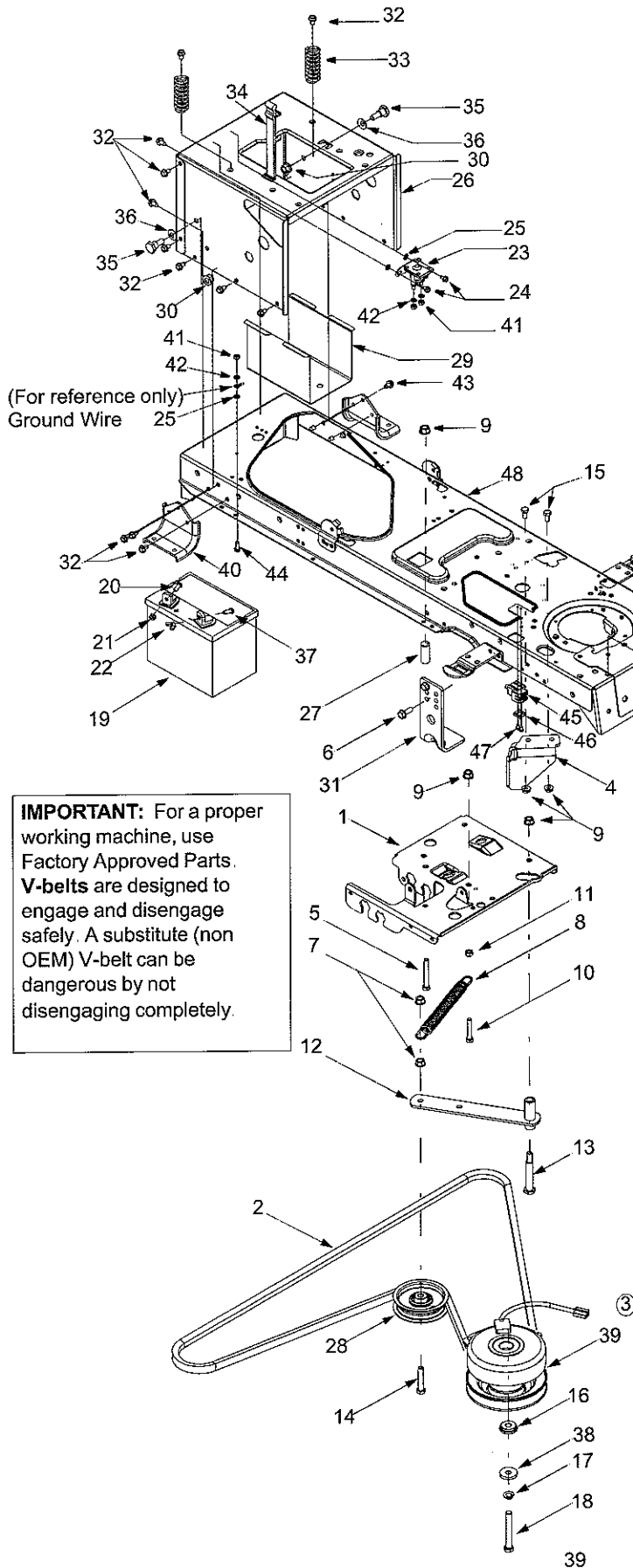
Models T809H & Z809K

REF. NO.	PART NO.	DESCRIPTION
1	618-0225	Reverse Collar Assembly
2	618-0226	Hi-Lo Collar Assembly
3	618-0227A	Shift Fork Assembly
4	710-0642	Self-tapping Screw, 1/4-20 x .75
5	718-04053	Shft. Cover
6	736-0227	Flat Washer
7	710-3119	Lock bolt 3/8-16 x 0.75
8	741-0681	Ball Bearing
9	618-0365	Wheel Hub Assembly
10	618-0368	Differential Axle Assembly
11	719-0379A	Upper Housing
12	741-0476	Flanged Bearing
13	661-0012	Brake Assembly
14	741-04085	Flanged Bearing
15	710-0788	TT Screw 1/4-20 x 1 0
16	711-1051A	Drive Shaft
17	711-1216	Output Shaft
19	713-0446	9-tooth Sprocket
20	713-0447	16-tooth Sprocket
21	713-0448	22-link Chain, 625
22	716-0131	External Snap Ring
23	717-0678	Brake Pad
24	717-1438	41-tooth Bevel Gear
25	717-1439	20-tooth Spur Gear
26	717-1440	10-tooth Spur Gear
27	717-1441	27-tooth Spur Gear
28	717-1442	37-tooth Spur Gear
30	718-0504	Shifter Insert
31	718-0505	Shifter Cover
33	719-0385	Lower Housing
34	718-0540	Lockout Plate
35	736-0337	Flat Washer, 5/8 x 1 0
36	736-3046A	Flat Washer, 1.01 x 1.86 x .060
37	711-1235	Input Shaft
38	747-1140	Shift Lever
40	761-0215	Disc Brake
41	716-0114	Retaining Ring, .56
42	717-1463	13-tooth Bevel Gear
43	736-0335	Flat Washer
44	736-0336	Flat Washer, 5/8 x 1 0 x .030*
	736-0337	Flat Washer, 5/8 x 1.0 x .040*
	736-0349	Falt Washer, 5/8 x 1.0 x .020*
46	741-0335	Needle Bearing
47	741-0696	Needle Bearing
48	716-0231	E-ring, .75
49	618-0376A	Transmisssion Assembly Complete

NOTE: Transmission has a grease capacity of 32 oz. Order part number 737-0148.

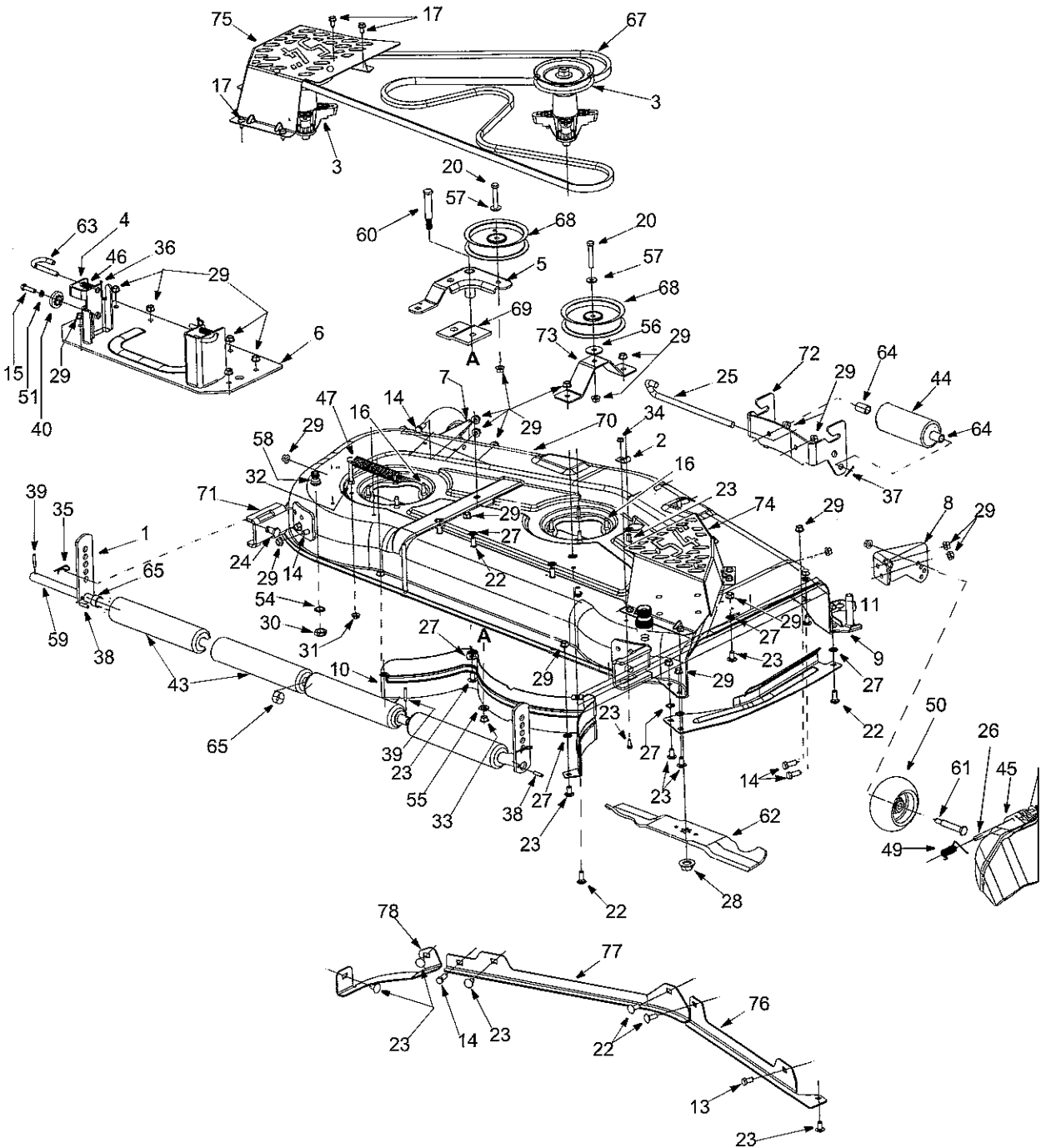
NOTE: Upon reassembling transmission input shaft for any reason, refill its cavity with approximately 2/3 oz. of grease. Order part number 737-0289.

Model Z809K



REF. NO.	PART NO.	DESCRIPTION
1	783-0653E	Steering Support Bracket
2	754-0476	PTO Belt
3	717-1774	Elec. PTO Clutch (Mod. Z809K)
4	783-1487	PTO Clutch Anti-rot Brakt.
5	710-0859	Hex Cap Screw, 3/8-16 x 2 5
6	710-0726	Hex Hd Wash. Screw, 5/16-18 x 875
7	712-0431	Flange Lock Nut, 3/8-16
8	732-0978	Extension Spring, .62 x 5 62
9	712-3004A	Flange Lock Nut, 5/16-18
10	710-3180	Hex Cap Screw, 5/16-18 x 1 75
11	712-3010	Hex Nut, 5/16-18
12	683-0294	Idler Bracket Assembly
13	738-3056	Shoulder Screw, 1/2 x 2 5
14	710-3144	Hex Cap Screw, 3/8-16 x 2 0
15	710-3025	Hex Cap Screw, 5/16-18 x 625
16	738-0785	Shoulder Spacer, 1.38 x .445 x 36
17	736-0171	Lock Washer, 7/16
18	710-3157	Hex Cap Screw, 7/16-20 x 3 25
19	725-1706	12-volt Battery, 270 CCA
20	710-0751	Hex Cap Screw, 1/4-20 x 62
21	712-0271	Hex Sems Nut, 1/4-20
22	712-3087	Wing Nut, 1/4-20
23	725-1426	Solenoid, 12-Volt, 100 Amp
24	710-0599	Self Tapping Screw, 1/4-20 x 5
25	736-0222	Lock Washer, 1/4
26	783-1033A	Hitch Plate
27	748-0415B	Spacer, 3/8 x 1 54
28	756-0627B	Idler Pulley, 3 5
29	783-0349	Battery Tray
30	712-0459	Flange Lock Nut, 7/16-20
31	783-04467	Deck Stop
32	710-0604A	Self Tapping Screw, 5/16-18 x .625
33	732-3080	Compression Spring, 1 28 x 3 5
34	723-0444	Battery Strap
35	738-1020	Shoulder Screw, .625 x 5, 7/16-20
36	736-0407	Bell Washer, .45 x 1.0 x .062
37	738-1132	Shoulder Screw, 1/4-20, 25 x 15
38	736-0322	Flat Washer, .45 x 1.25 x .164
39	629-04047	Harness Assembly, PTO Clutch
40	783-0693	Axle Bracket
41	712-3006	Hex Nut 1/4-20
42	736-0329	Lock Washer
43	710-0607	TT Screw 5/16-18 x 0 5
44	710-0642	TT Screw 1/4-20 x 0 75
45	725-1657A	Switch
46	17962	Switch Plate
47	710-0224	AB Screw #10-16 x 0 5
48	683-0304C	Lower Frame Assembly
49	712-0429	Lock Nut 3/8-16

Model Z809K



Model Z809K

REF. NO.	PART NO.	DESCRIPTION	REF. NO.	PART NO.	DESCRIPTION
1	12650	Bracket, Adjustment, Height	43	731-0335	Roller, Deck
2	16606	Bracket, Hook, Retainer	44	731-3005	Front Roller
3	618-0671	Spindle Assembly, Pulley, 5.39 Dia x .5625	45	731-3131A	Deflector, Chute
4	683-0254	Bracket Assembly, Deck, Hanger LH	46	732-0306	Spring, Compression, .406 x .531 x 1.75
5	683-0459	Idlr Assembly, 54"	47	732-0459	Spring, Extension, .94 Dia x 6.74
6	683-0608	Bracket Assembly, Lift, 54"	48	732-0934	Spring, Extension, 1.15 Dia x 5.99
7	683-0609	Bracket Assembly, LH-Front	49	732-3070	Torsion Spring .44 I.d. x 2.10
8	683-0610	Bracket Assembly, RH-Front	50	734-04039	Deck Wheel, 5" Dia.
9	683-0617	Stop Assembly, Chute	51	736-0119	Lock Washer
10	703-2093	Baffle, RR, Inner	54	736-0760	Lock Washer
13	710-0216	Hex Screw 3/8-16 x 0.75	55	736-0921	Lock Washer
14	710-0514	Hex Screw 3/8-16 x 1.0	56	736-3039	Flat Washer .406 ID X 1.5 x 11ga
15	710-0528	Hex Screw, 5/16-18 x 1.25	57	736-3072	Washer, Flat .38 ID x .93 OD x .110
16	710-1260A	LD Screw 5/16-18 x 0.75	58	737-04003B	Water Nozzle: Deck Wash-Out System
17	710-0726	AB Screw 5/16-12 x 0.75	59	738-0295	Shoulder Screw, 750 x .47 12
20	710-3011	Hex Screw, 3/8-16 x 2.25	60	738-1229A	Shoulder Screw
21	710-3073	Hex Screw, 5/16-18 x 2.25	61	738-0373	Shoulder Screw
22	710-3168	Bolt, Carriage, 3/8-16 x 1.0	62	742-0677	Blade, 18.50"
23	710-3178	Short Neck Carriage Bolt 3/8-16 x .75	63	747-1116	Deck Release Handle Rod, .375 Dia
24	711-0332	Pin, Clevis, .50 Dia x .78	64	750-0151	Spacer .550 ID x .755 OD x 1.1
25	711-1737	Pin, Roller, .5" Dia x 10.06	65	750-0212	Spacer, .82 ID x 1.00 OD x .53
26	711-1762	Pin, Hinge, Dia .375 x 14.06	67	754-0642	Belt, V-Type, B Section
27	712-0229	Push Nut Retainer	68	756-3105	Pulley, Idler, 5.0 Dia
28	712-0417A	Nut, Hex Flange, 5/8-18	69	783-04013A	Bracket, Stabilizing
29	712-0130	Nut, Lock, 3/8-16	70	683-04127	Deck Assembly SD: 54" w/ Water Nozzle
30	712-0641	Hex Nut M16		783-04232	Deck: SD w/Water Nozzle Ftg.
31	712-0429	Nut, Flange Lock, 5/16-18	71	783-1453	Bracket, Mounting, 54" Roller
32	712-3010	Nut, Hex, 5/16-18, Gr5	72	783-1454	Bracket, Roller, Front
33	712-3022	Nut, Hex Lock, 1/2-13	73	783-1455	Bracket, Idler
35	714-0145	Pin, Click, .092 x 1.64	74	783-1470	Cover, Spindle RH
36	714-0470	Pin, Cotter, 1/8 x 1.25	75	783-1471	Cover, Spindle LH
37	714-3004	Pin, Cotter, 3/32 x 1.25	76	783-1482	RH Skirt
38	715-0108	Pin, Spring 1/4 Dia x 1.00	77	783-1483	LH Skirt
39	714-0162	Cotter Pin	78	783-1484	LH Extension Skirt
40	717-1553B	Adjustment, Deck, Gear	79	703-3279	Chute Stop (not shown)
41	721-04041	Water Nozzle Adaptor			

IMPORTANT: For a proper working machine, use Factory Approved Parts. **V-belts** are designed to engage and disengage safely. A substitute (non OEM) V-belt can be dangerous by not disengaging completely.

NOTE: For painted parts, please refer to the list of color codes below. Please add the applicable color code, wherever needed, to the part number to order a replacement part. For instance, if a part numbered 700-xxxx is painted Powder Black, the part number to order would be 700-xxxx-0637
 Red: 0638
 Oyster Gray: 0662
 Powder Black: 0637