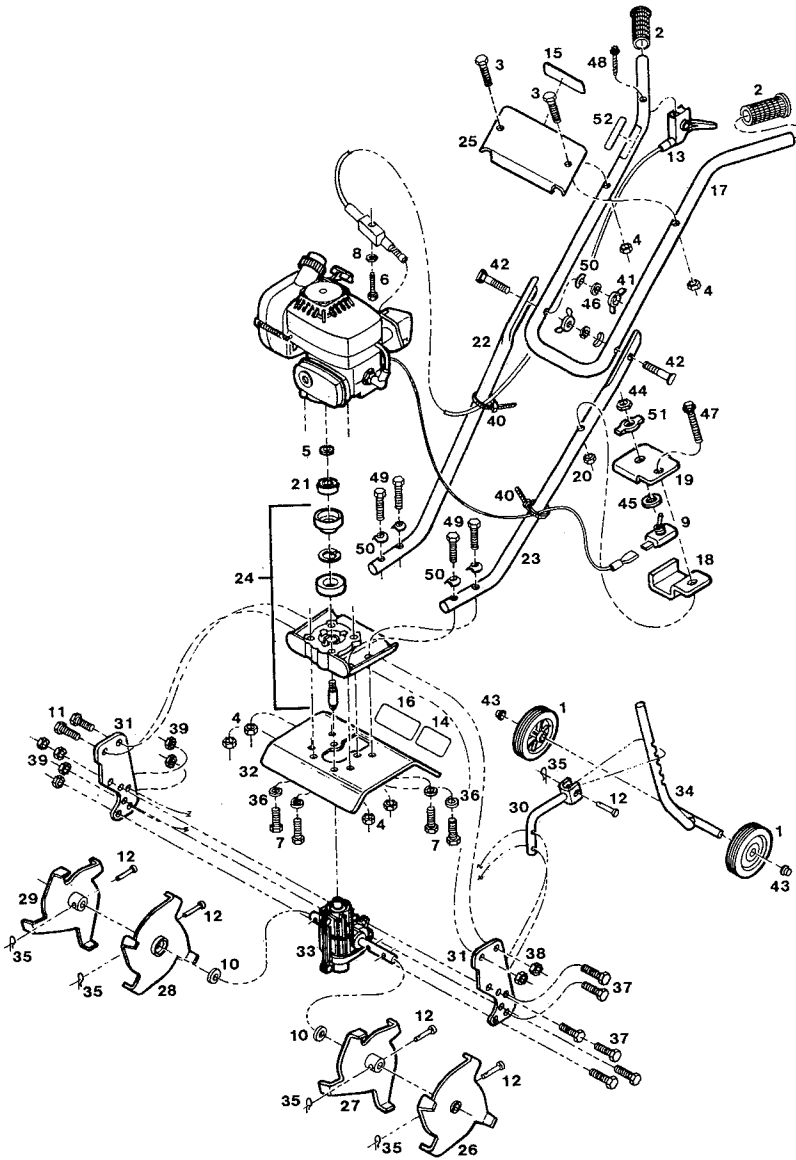


**MODEL 161 GTG**  
Compact Cultivator



Item No.	Part No	Description
1.	041723	Wheel
2.	530303	Grip-Hand
3.	152363	Bolt - ¼-20x1¼ Carriage
4.	152967	Nut - ¼-20 Ctr. Lock
5.	157651	Washer - ¼
6.	157669	Screw - 8-32x1½ HX HD
7.	157677	Bolt - ¼-20x1½ HX HD
8.	157685	Washer - 3/16 Flat
9.	530345	Switch - Grounding
10.	157818	Washer - Felt
11.	152108	Bolt - 5/16-18x1 HX HD
12.	490037	Pin - 5/16x1½ Hard Clevis
13.	530311	Control - Throttle
14.	551655	Decal - Warning
15.	552141	Decal - Throttle Control
16.	552158	Decal - Caution
17.	556688	Handle - Upper
18.	556746	Bracket - Switch Mtg. Lower
19.	556753	Bracket - Switch Mtg. Upper
20.	715334	Nut - 10-24 Keps
21.	556795	Rotor
22.	556829	Handle - Lower RH
23.	556837	Handle - Lower LH
24.	590950	Engine Mount & Bearing Assy.
25.	574962	Panel - Handle
26.	574582	Tine Assy - Outer LH
27.	574566	Tine Assy - Inner LH
28.	574574	Tine Assy - Inner RH
29.	574590	Tine Assy - Outer RH
30.	574616	Bracket - Depth Bar
31.	574624	Plate - Support
32.	574970	Shield - Tine
33.	590893	Gear Case Assy
34.	590927	Depth Rod Assy
35.	616227	Pin - Hair
36.	715094	Washer - ¼Split Lock
37.	158972	Bolt - ¼-20x1 HX HD
38.	715490	Nut - 5/16-18 Top Lock
39.	715508	Nut - ¼-20 Top Lock
40.	110379	Tie - Nylon Cable
41.	150235	Nut - 5/16-18 Wing
42.	157859	Bolt - 5/16-18x1½ Curved HD SQ NK
43.	152579	Palnut - 5/16
44.	159251	Nut - Switch
45.	157297	Washer - Switch Lock
46.	715185	Washer - 5/16 Nom
47.	157719	Screw - 10-24x1½ HX Washer HD
48.	157727	Screw - 10-16x1½ HX Washer HD
49.	157735	Bolt - ¼-20x1½ HX HD
50.	162172	Washer - Curved
51.	530295	Plate - Switch Indicating
52.	552414	Decal-Hand Placement