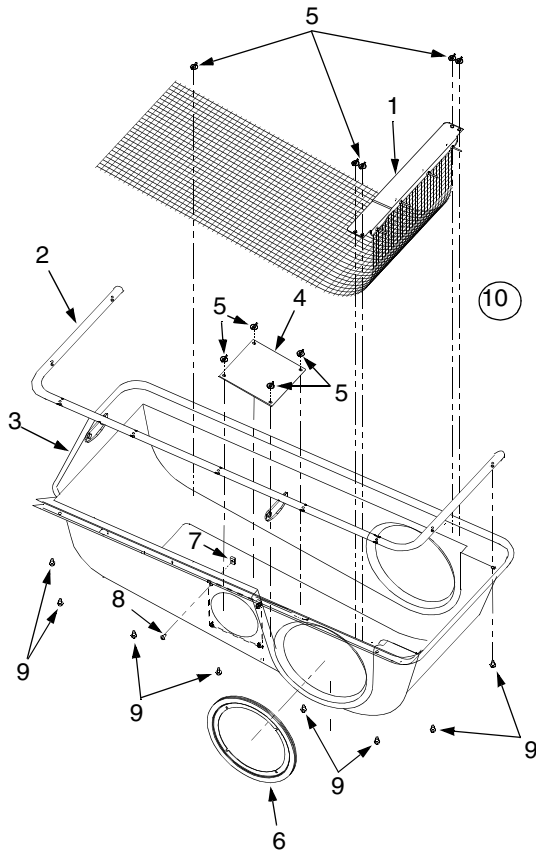


Grass Catcher Cover Assembly



Ref. No.	Part No.	Description
1.	16847A	Screen Assembly
2.	16596	Hinge Bracket Assembly
3.	731-0821A	Grass Catcher Cover †
	731-1417	Grass Catcher Cover ‡
4.	731-0824A	Plastic Plate
5.	726-0258	Zip Twist Fastener
6.	723-0412	Tube Seal †
	723-0413	Tube Seal ‡
7.	712-0147	U-Type Speed Nut
8.	710-0351	Screw, #10-16 x 0.5" †
	710-0473	Screw, #10-24 x 0.5" ‡
9.	710-0599	Hex Screw, 1/4-20 x 0.5" †
	710-0896	Hex Screw, 1/4-14 x 0.625" ‡
10.	16594A	Grass Catcher Cover Assembly †
	631-0007	Grass Catcher Cover Assembly ‡

† Model 063 only

‡ Model 103 only