

# Front Bumper

For Series 1000 and Series 1500 Tractors

Models  
CC-190-670  
190-672-100

## SECTION 1: CALLING CUSTOMER SUPPORT

If you have difficulty assembling this product or have any questions regarding the controls, operation or maintenance of this unit, please call the Customer Dealer Referral Line.





Call **1-877-282-8684** to reach the Customer Dealer Referral Line. Please have your unit's model number and serial number ready when you call. See previous section to locate this information. You may be asked to enter the serial number in order to process your call.

For more details about your unit, visit our website at [www.cubcadet.com](http://www.cubcadet.com)

## SECTION 2: CONTENTS OF CARTON

Before beginning installation, remove all parts from the carton to make sure everything is present. Carton contents are listed below. Part numbers are shown in parentheses.

- Front Bumper - (768-0010A)
- Two Clevis Pins - (44056)  
- Two Cotter Pins - (43055)  

## SECTION 3: ASSEMBLY



**WARNING:** Before beginning installation, place the tractor on a firm and level surface. Place the PTO in the disengaged (OFF) position, stop the tractor engine and set the parking brake.

**NOTE:** References to LEFT and RIGHT indicate the left and right sides of the tractor when facing forward in the operator's position. Reference to the FRONT indicates the grille end; to the REAR the drawbar end.

Mounting Front Bumper to Fast Attached™ Tractor



**WARNING:** Muffler may be hot! Make sure engine has cooled down before installing bumper.

- To mount the bumper to the tractor, hook the notched ends (slots) of the bumper onto the shoulder bolts on the sides of the tractor frame. See Figure 1.

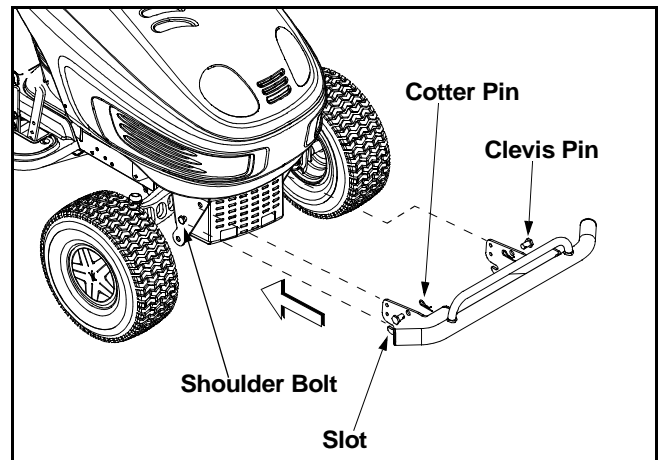


Figure 1

- Align the holes in the bumper with the holes in the tractor frame and insert the clevis pins through the holes from the outside. Secure the pins in place with the cotter pins.

CUB CADET LLC P.O. BOX 361131 CLEVELAND, OHIO 44136-0019