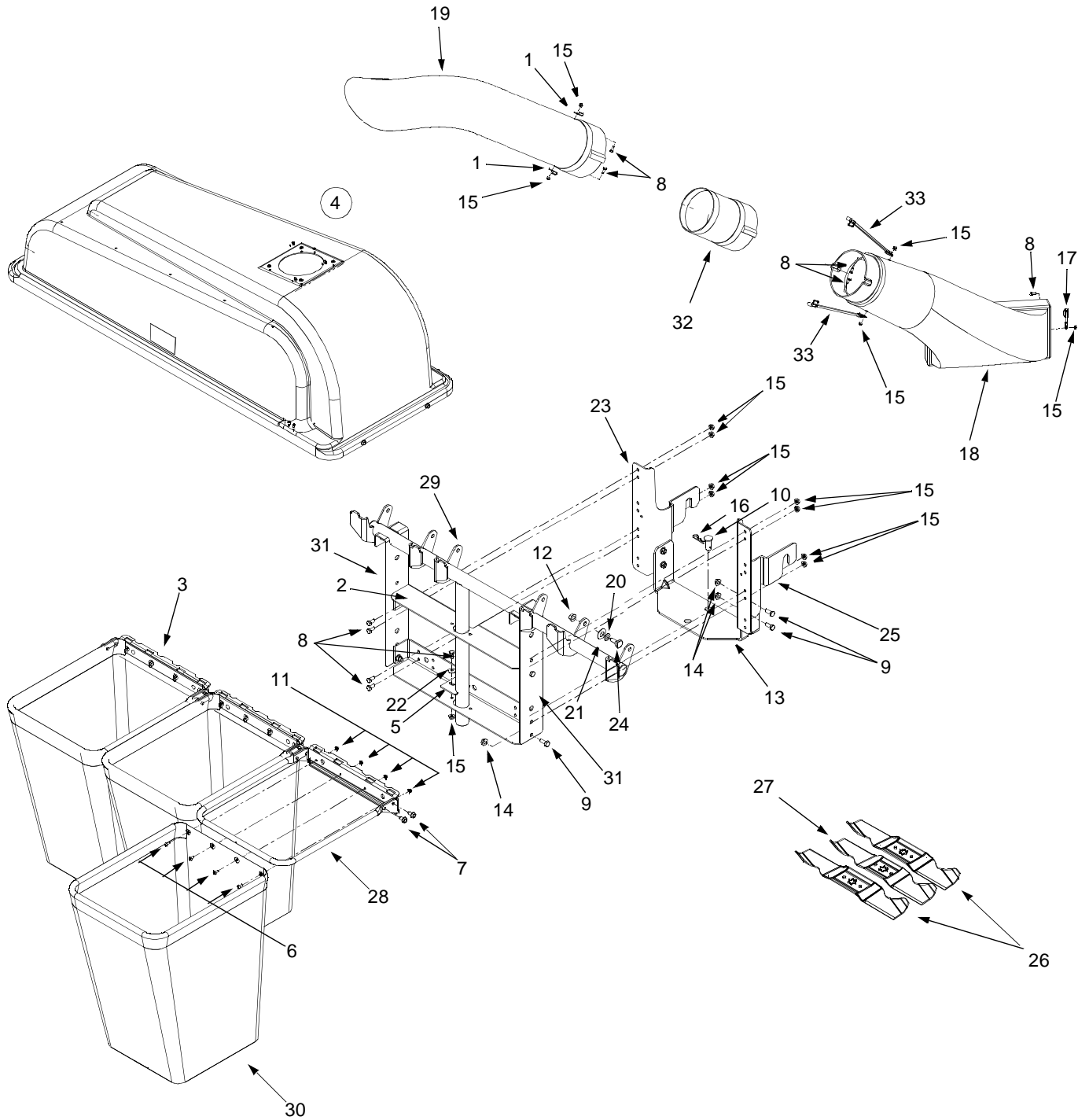


Model Series 821



Model Series 821

REF. NO.	PART NO.	DESCRIPTION
1	16606	Retainer Hook Bracket
2	17200A	Catcher Support Bracket
3	17201A	Bag Frame Hanger Bracket
4	17204	Cover Assembly Complete
5	17247	Support Tube Bracket
6	710-0473	Screw, #10-24 x .5
7	710-0604	Self Tapping Screw, 5/16-18 x .625
8	710-0751	Hex Cap Screw, 1/4-20 x .62
9	710-3008	Hex Cap Screw, 5/16-18 x .75
10	711-0309A	Clevis Pin
11	712-0272	Hex Sems Nut, 10-24
12	712-0431	Hex Flange Lock Nut, 3/8-16
13	783-0765	Support Cross Bracket
14	712-3004A	Hex Flange Lock Nut, 5/16-18
15	712-3027	Hex Flange Lock Nut, 1/4-20
16	714-0117	Internal Cotter Pin, .148 x 3
17	723-0383	Retainer Strap Assembly
18	731-0925B	Discharge Chute
19	731-0926	Chute Tube
20	736-0108	Flat Washer, .51 x .75 x .033
21	736-0253	Belleville Washer
22	736-0270	Bell Washer, .265 x .75 x .062
23	783-0764	LH Catcher Support Bracket
24	738-0380	Shoulder Screw, .50 x .27, 3/8-16
25	783-0673	RH Catcher Support Bracket
26	742-0644	Star-center Blade, 16.28
27	742-0645	Star-center Blade, 14.88
28	749-0745A	Grassbag Frame Tube
29	749-0750	Catcher Support Tube
30	764-0251	Grassbag
31	783-0601	Catcher Support Bracket
32	731-2299	Extension Tube
33	723-0476	Retainer Strap Assembly