

20"/22" Rotary Mower

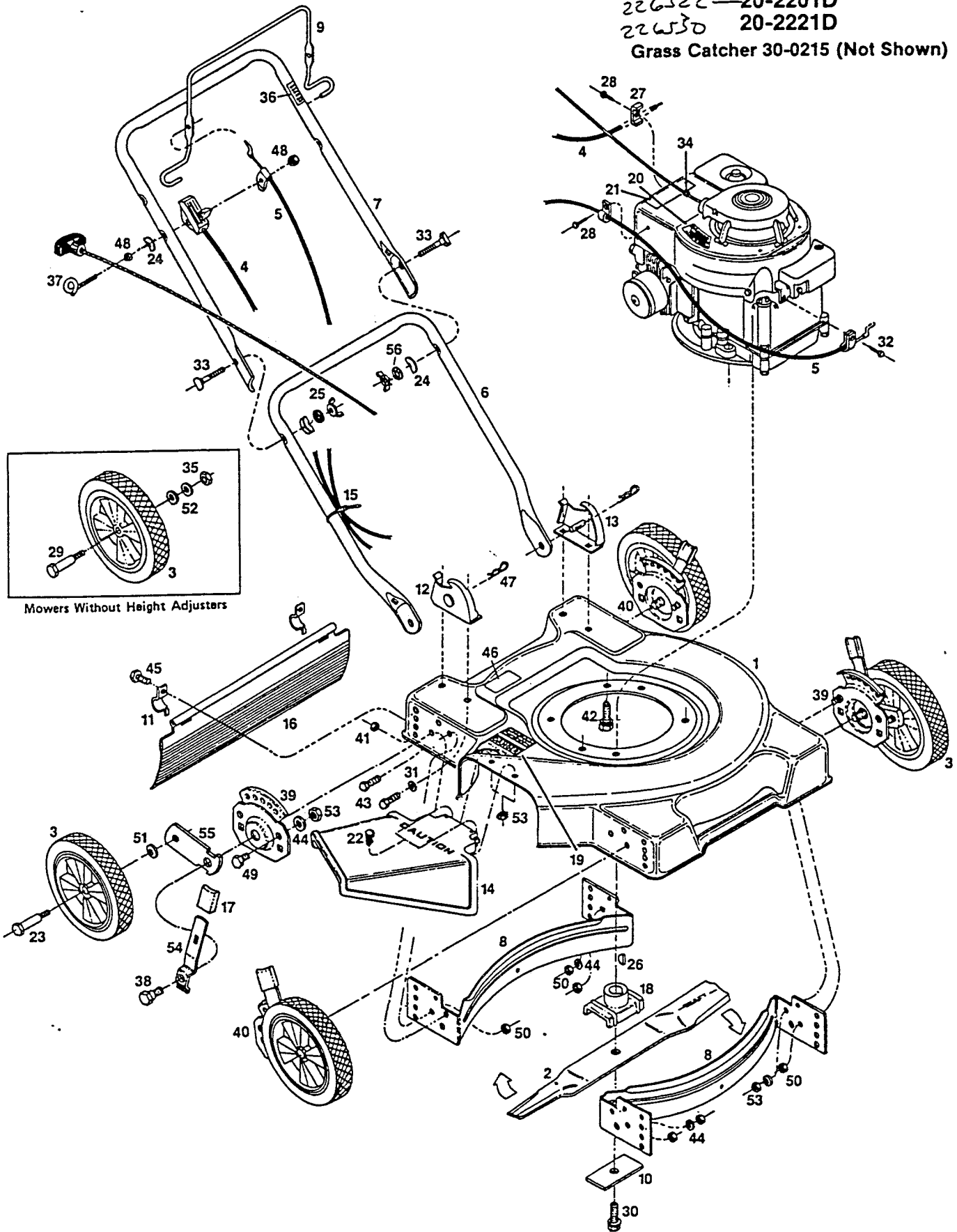
22654 — 20-2001D

22657 — 20-2021D

22652 — 20-2201D

22650 — 20-2221D

Grass Catcher 30-0215 (Not Shown)



Mowers Without Height Adjusters

20"/22" Rotary Mower

20-2001D

20-2021D

20-2201D

20-2221D

Grass Catcher 30-0215 (Not Shown)

PARTS LIST

Index No.	Part No.	Description	Index No.	Part No.	Description
1	028613	Deck-20"	24	150201	Washer-Curved 5/16
	028621	Deck-22"	25	150235	Wingnut 5/16-18
2	030296	Blade-20"	26	150276	Woodruff Key #6
	030353	Blade-22"	27	150318	Cable Clamp
3		Wheel Assembly*	28	150623	Screw-Sheet Metal #10 x 5/8
	498618	7" Plastic-Rib	29	153668	Wheel Bolt w/o Ht. Adj.
	498790	7" Plastic-Waffle	30	152496	Blade Bolt
	041046	7" Steel-Rib	31	151555	Washer-Flat 1/4
	041111	8" Steel-Rib	32	151613	Screw #10-32 x 3/8 Hex Sems
4	051060	Control-Throttle	33	151936	Bolt-Curved Head 5/16-18 x 2-1/4
5	051037	Cable-Engine/Blade Control	34	152074	Rope Stop
6	071563	Handle-Lower	35	451492	Nut-Hex 3/8-16 Flange
7	071076	Handle-Upper	36	760074	Decal-Engine Control
8	464305	Baffle 20" - Rear Standard - Front Optional	37	152629	Eyebolt-Rope Guide
	106963	Baffle 22" - Rear Standard - Front Optional	38	153650	Shoulder Bolt-Ht. Adj.
9	104687	Bail-Engine/Blade Control	39	428664	Back Plate-Ht. Adj. LH Front/RH Rear
	106880	Bail-Engine/Blade Control w/Cushion Grip •	40	428714	Back Plate-Ht. Adj. RH Front/LH Rear
10	106005	Blade Washer	41	452318	Nut #10-24 Hex Nylon Insert
11	106914	Clip-Trailing Shield	42	457168	Bolt - 3/8-16 x 7/8 Thread Forming
12	107086	Handle Bracket-Right Hand	43	457499	Bolt - 1/4-20 x 1/2 Thread Forming
13	107094	Handle Bracket-Left Hand	44	462093	Washer-Flat 1/4"
14	463950	Chute Deflector Assembly	45	458687	Bolt-Hex Head #10-24 x 1/2
15	110379	Cable Tie	46	714170	Decal-Model Number
16	111583	Trailing Shield-20" w/o Ht. Adj.	47	715011	Hairpin Cotter
	111609	Trailing Shield-20" w/Ht. Adj.	48	715037	Nut-Keps 1/4-20"
	111609	Trailing Shield-22" w/o Ht. Adj.	49	715045	Bolt-Hex Head 1/4-20 x 3/4
	111617	Trailing Shield-22" w/Ht. Adj.	50	715086	Locknut 3/8-16
17	435529	Plastic Tip-Setting Lever	51	715607	Washer-Belleville
18	126466	Blade Adapter	52	715417	Washer 3/8 SAE
19	144063	Decal-Danger	53	715508	Locknut 1/4-20
20	144204	Decal-Blade Warning	54	776500	Setting Lever-Height Adjuster•
21	760330	Decal-Starting Instructions	55	777862	Wheel Lever-Height Adjuster•
22	150011	Bolt-Carriage 1/4-20 x 5/8	56	461665	Washer Lock-Internal Tooth
23	150060	Wheel Bolt w/Ht. Adj.			