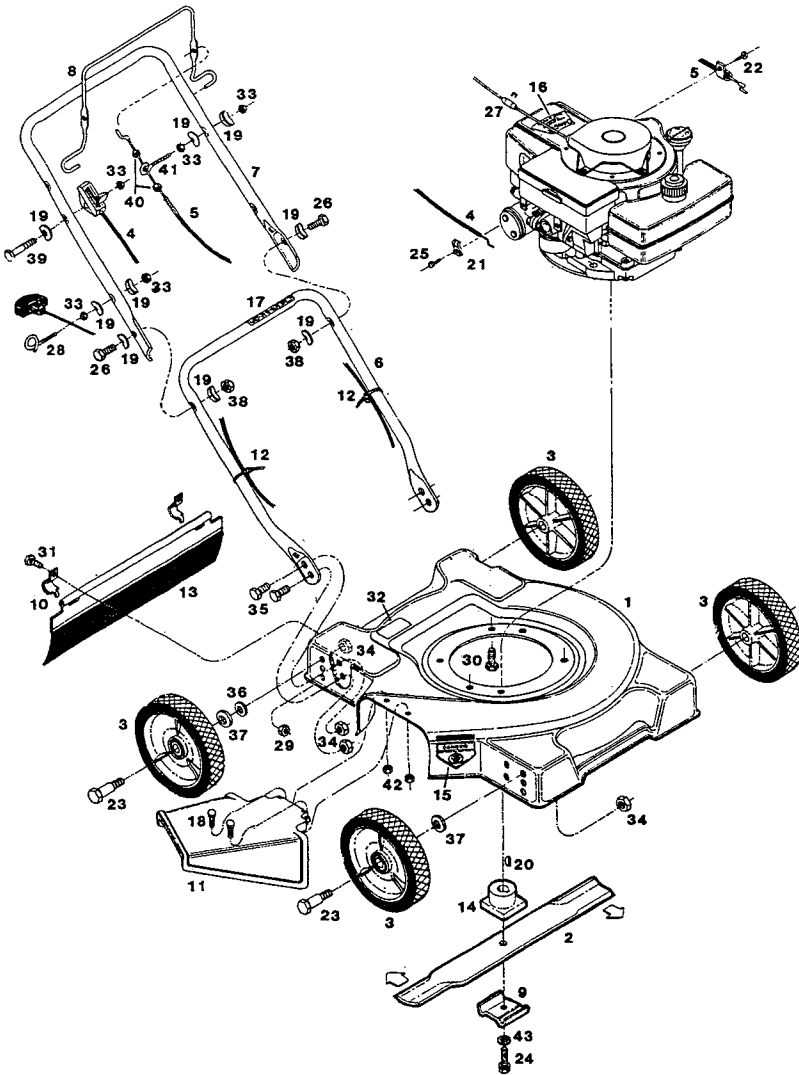


Model 20 F
20" Rotary Mower
 Grass Catcher Model 30-0215



ITEM NO.	PART NO.	DESCRIPTION
1	012690	Deck 20"
2	030031	Blade-20" Flat
3	041533	Wheel-6 1/2" Plastic-White
4	051219	Control-Throttle w/cable
5	051011	Cable-Engine/Blade Control*
6	072488	Lower-Handle
7	071076	Upper-Handle
8	109389	Bail-Engine/Blade Control*
9	106336	Washer-Blade Adapter
10	106914	Clip-Trailing Shield*
11	463950	Chute Deflector Assembly*
12	110379	Cable Tie
13	111609	Trailing Shield*
14	133231	Blade Adapter
15	144063	Decal-Danger*
16	001461	Decal-Blade Warning*
17	144899	Decal-Starting Instructions
18	150011	Bolt-Carriage 1/4-20x5/8
19	150201	Washer-Curved 5/16
20	150276	Woodruff Key #6
21	152231	Cable Clamp
22	156689	Screw-Sheet Metal #10 32-3/8
23	150730	Wheel Bolt
24	150862	Bolt-Blade
25	151419	Bolt-Hex Washer Head #10-32x3/8
26	150045	Bolt-Hex Head 5/16-18x1 1/4
27	152074	Rope Stop
28	152371	Rope Guide
29	452318	Nut-#10-24 HX Nylon Insert
30	457168	Bolt-3/8-16x7/8 Thread Forming
31	458687	Bolt-Hex Head #10-24x1/2
32	714170	Decal-Model Number
33	715037	Nut-Keps 1/4-20
34	451492	Nut-3/8-16 TopLock Flange
35	715201	Bolt-Hex 3/8-16x3/4 w/o Hgt. Adj.
36	715417	Washer 3/8 Flat
37	715607	Washer-Belleville
38	715177	Nut-Hex Center Lock 5/16-18
39	450379	Bolt-Hex Head 1/4-20x1 3/4
40	152223	Nut-Jam Hex 5/16-24
41	155234	Eyebolt-Cable Mounting
42	715508	Locknut-1/4-20 TopLock
43	156919	Lock Washer-3/8 HD

Note: Parts are right or left hand as viewed from operator position.
 Specifications subject to change without prior notice.