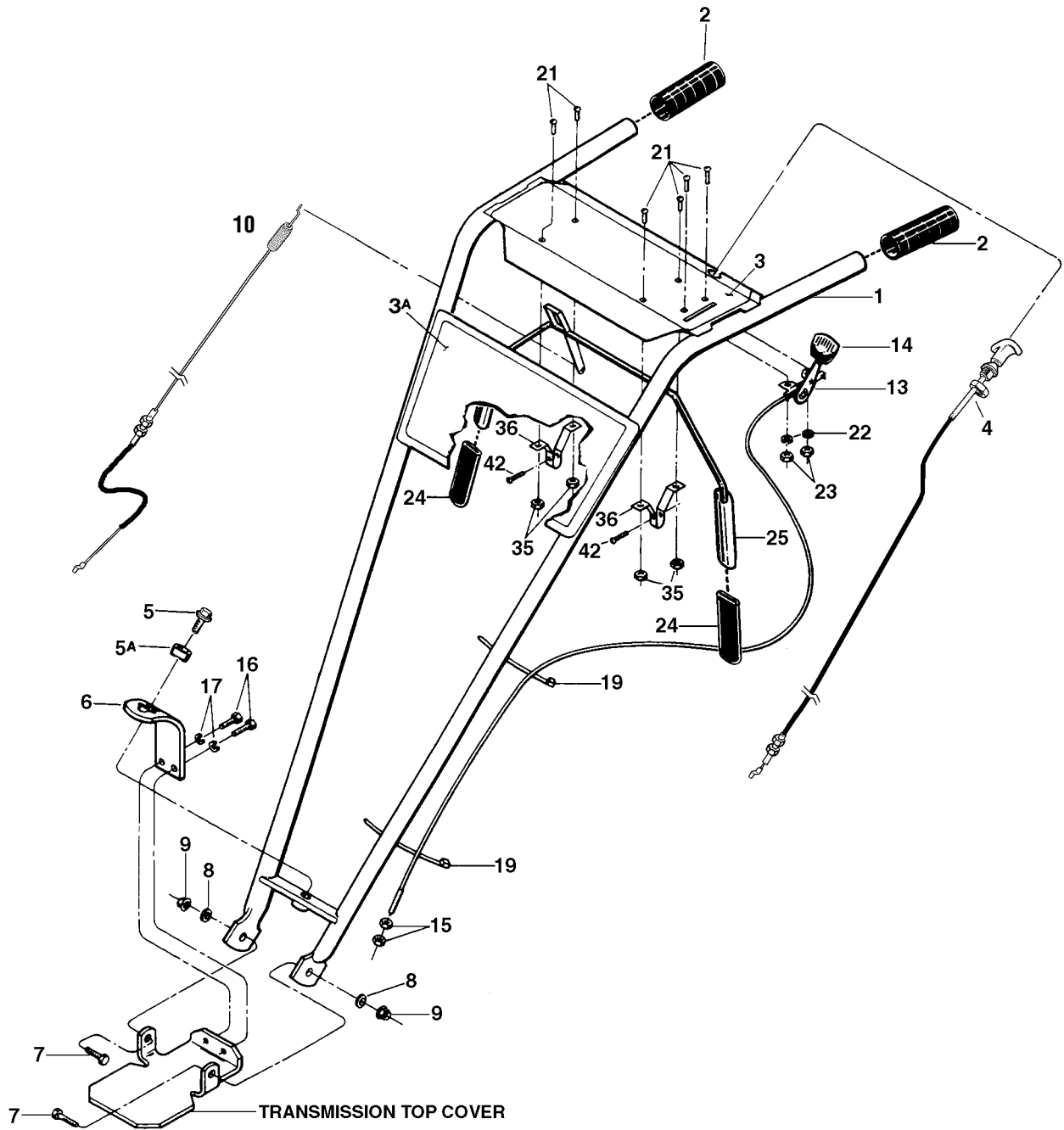


# SECTION 6: PARTS LIST

## HANDLEBAR ASSEMBLY and CONTROL LEVERS

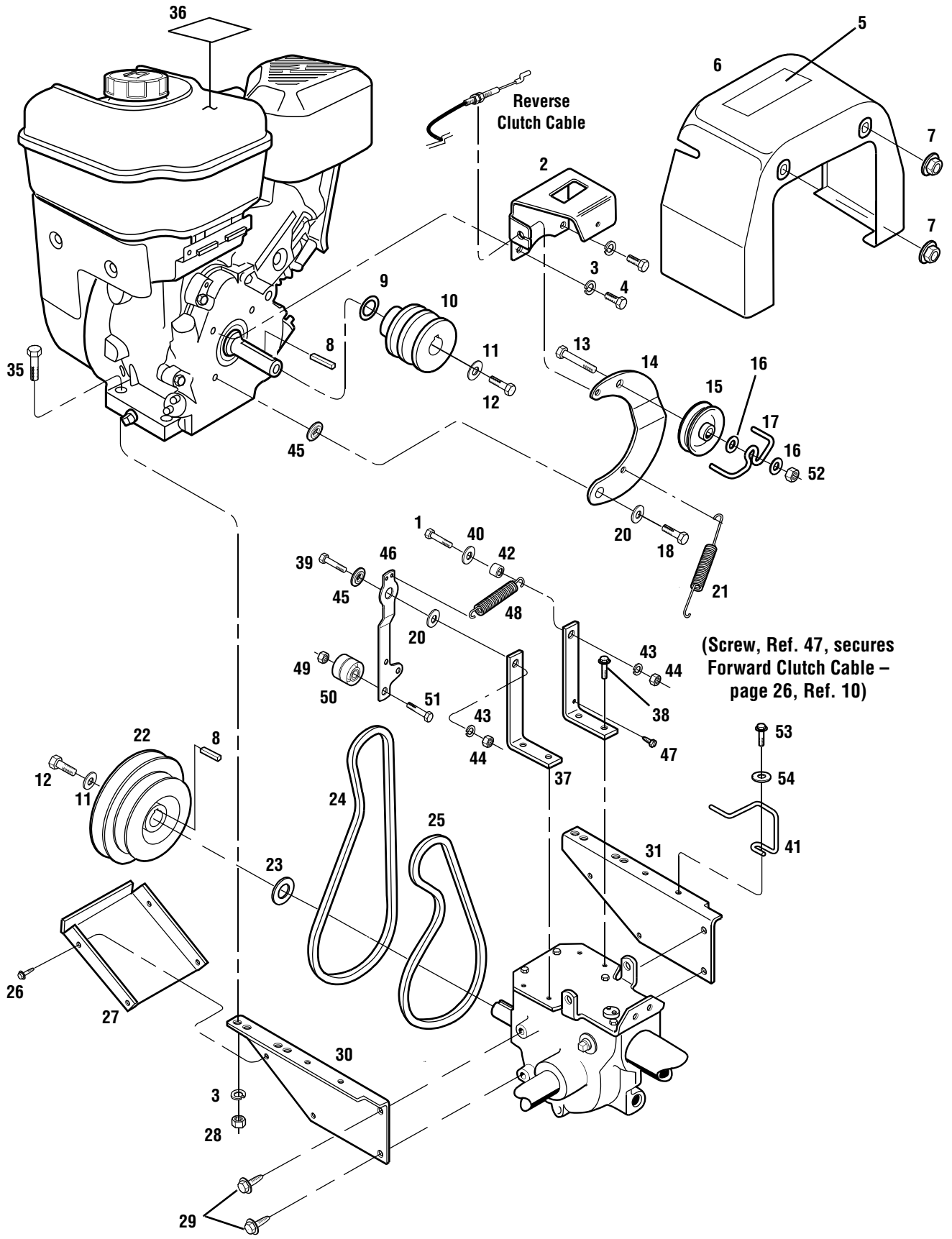


## MODEL 675B

| REF NO. | PART NO.  | DESCRIPTION                               |
|---------|-----------|---|
| 1       | 1918801   | Handlebars                                |
| 2       | GW-9126   | Grip                                      |
| 3       | 777122071 | Decal, Control Panel                      |
| 3A      | 777D06865 | Decal, Model Name/Logo                    |
| 4       | 1916784   | Reverse Clutch Control Cable              |
| 5       | 1186347   | Height Adjustment Screw                   |
| 5A      | GW-9955   | Washer, Keyed                             |
| 6       | 1900475   | Bracket, Handlebar Height Adjustment      |
| 7       | 710-0514  | Hex Hd. Screw, 3/8-16 x 1*                |
| 8       | 736-3050  | Washer, Plain (flat) 3/8, S.A.E.          |
| 9       | 712-3000  | Hex Locknut, 3/8-16                       |
| 10      | 746-04027 | Forward Clutch Control Cable              |
| 13      | 1916639   | Wheel Clutch Control                      |
| 14      | GW-9057   | Knob, Wheel Gear Control Lever            |
| 15      | 1186211   | Hex Nut, 5/16-24                          |
| 16      | GW-90064  | Hex Hd. Screw, 3/8-16 x 3/4*              |
| 17      | 736-0169  | Lockwasher, 3/8                           |
| 19      | 725-0157  | Cable Ties, Plastic                       |
| 21      | 1114748   | Round Hd. Screw, #10-32 x 1/2             |
| 22      | 1100240   | Lockwasher, #10                           |
| 23      | 1186208   | Hex Nut, #10-32                           |
| 24      | GW-9390   | Grip                                      |
| 25      | 1918802   | Bail, Forward Clutch Control              |
| 35      | GW-9853   | Sems Nut                                  |
| 36      | GW-20806  | Bracket, Bail Support                     |
| 42      | 710-0599  | Flange Screw, Self-tapping, 1/4-20 x 1/2* |

\* Specify GRADE 5 if ordering part locally.

**MODEL 675B**



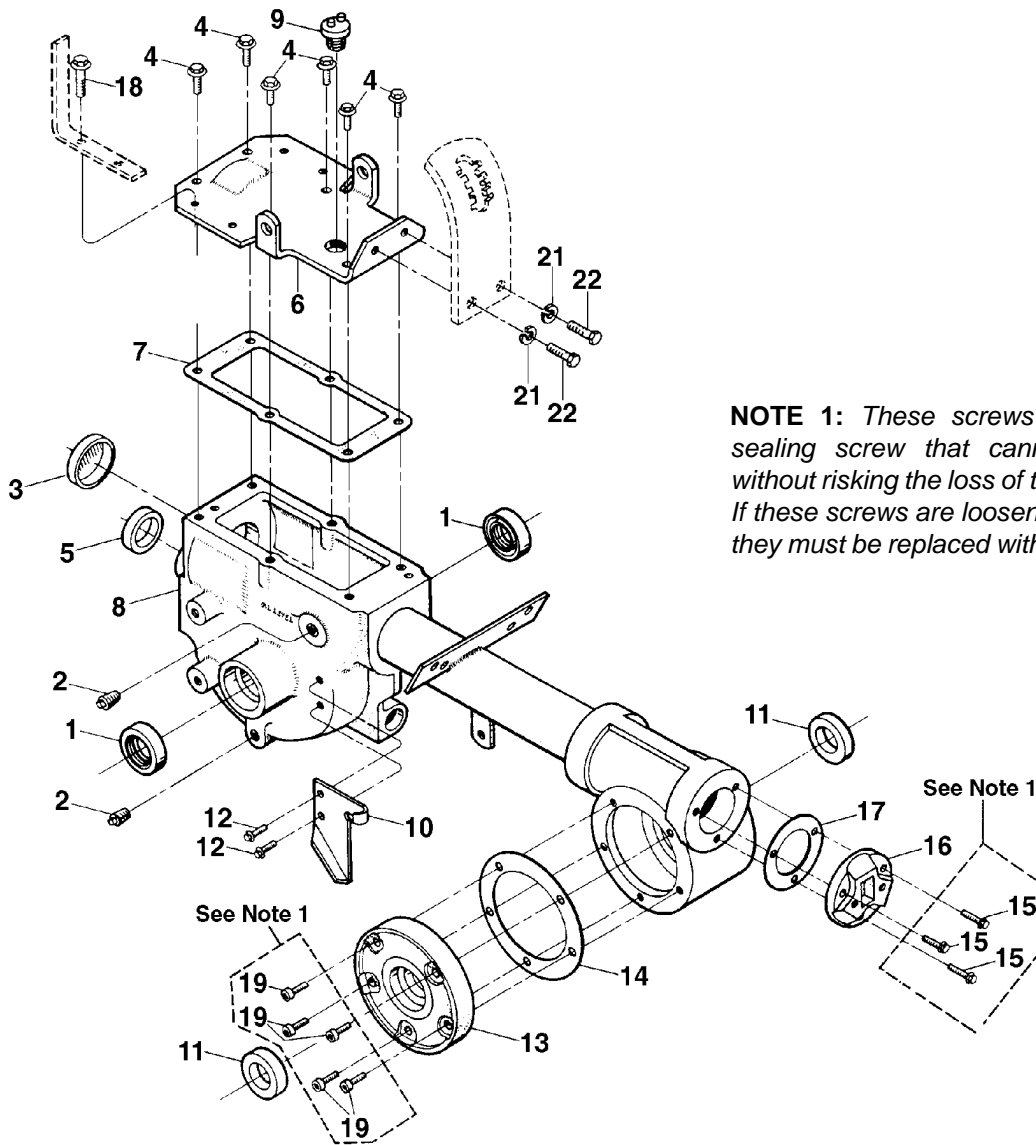
## MODEL 675B

| REF NO. | PART NO.  | DESCRIPTION                        | REF NO. | PART NO.  | DESCRIPTION                         |
|---------|-----------|------------------------------------|---------|-----------|-------------------------------------|
| 1       | 710-0395  | Hex Hd. Screw, 5/16-18 x 2-1/4     | 27      | GW-20339  | Guard, Belts/Pulleys                |
| 2       | 1917326   | Bracket, Clutch Cable              | 28      | 712-0267  | Hex Nut, 5/16-18                    |
| 3       | 736-0119  | Lockwasher-5/16                    | 29      | 1186329   | Hex Flange Screw, 5/16-18 x 3/4*    |
| 4       | 710-0107  | Hex Hd. Screw, 5/16-24 x 1/2       | 30      | 1916797   | Engine Support Bracket, left side   |
| 5       | 777S30651 | Decal, Hot Surfaces / Belt Warning | 31      | 1916796   | Engine Support Bracket, right side  |
| 6       | 1916659   | Cover                              | 35      | 710-0805  | Hex Hd. Screw, 5/16-18 x 1-1/2      |
| 7       | 712-3004A | Flange Lock Nut, 5/16-18           | 36      | 777I20942 | Decal, Stabilization                |
| 8       | 1108841   | Key, 3/16 x 1-1/2                  | 37      | 1918774   | Mounting Bar                        |
| 9       | GW-1138-1 | Shim, 1.0 x .7656 x .062           | 38      | 710-1260A | Hex Flange Screw, 5/16-18 x .75     |
| 10      | 1916520   | Pulley, Engine Drive               | 39      | 710-3037  | Hex Hd. Screw, 5/16-18 x 2-1/4*     |
| 11      | GW-9944   | Washer, .827 x .331 x .098         | 40      | 736-0275  | Flat Washer, 5/16'                  |
| 12      | GW-9572   | Hex Hd. Screw, 5/16-24 x 1-1/8     | 41      | 1918846   | Belt Guide, Pony                    |
| 13      | 710-3103  | Hex Hd. Screw, 5/16-18 x 2         | 42      | GW-55088  | Pivot Bushing                       |
| 14      | 1918731   | Reverse Idler Arm                  | 43      | 736-0119  | Lockwasher, 5/16                    |
| 15      | 1916535   | Pulley, Reverse Idler              | 44      | 712-3010  | Hex Nut, 5/16-18                    |
| 16      | 736-0159  | Flat Washer, 5/16                  | 45      | 1917746   | Washer, Shoulder                    |
| 17      | 1916725   | Belt Guide, Wire Formed            | 46      | 1918744   | Idler Arm, Forward Tiller Direction |
| 18      | 710-0117  | Hex Head Screw, 5/16-24 x 1        | 47      | 1767754   | Screw, self tapping, #10-24         |
| 19      | 1917746   | Washer, Shoulder                   | 48      | 1916727   | Spring                              |
| 20      | 736-3078  | Washer, Flat, 1-1/8                | 49      | 712-3000  | Hex Locknut, 5/16-18                |
| 21      | 1916728   | Spring, Reverse Return             | 50      | GW-9090   | Idler Pulley, Forward               |
| 22      | 1916522   | Transmission Pulley                | 51      | 710-0347  | Screw, 3/8-16 x 1-3/4               |
| 23      | GW-1440   | Support Washer                     | 52      | 712-0158  | Hex Lock Nut, 5/16-18               |
| 24      | 1918812   | Reverse Clutch Belt                | 53      | 1754128   | Screw, 1/4-20 x 3/4                 |
| 25      | 1909404   | Forward Clutch Belt                | 54      | 736-0463  | Flat Washer, 1/4                    |
| 26      | 1900396   | Self-tapping Screw, #10-32 x 1/2   |         |           |                                     |

\* Specify GRADE 5 if ordering part locally.

\*\* See your local authorized engine service dealer for engine parts or service. Refer to engine nameplate for engine type and code

# MODEL 675B

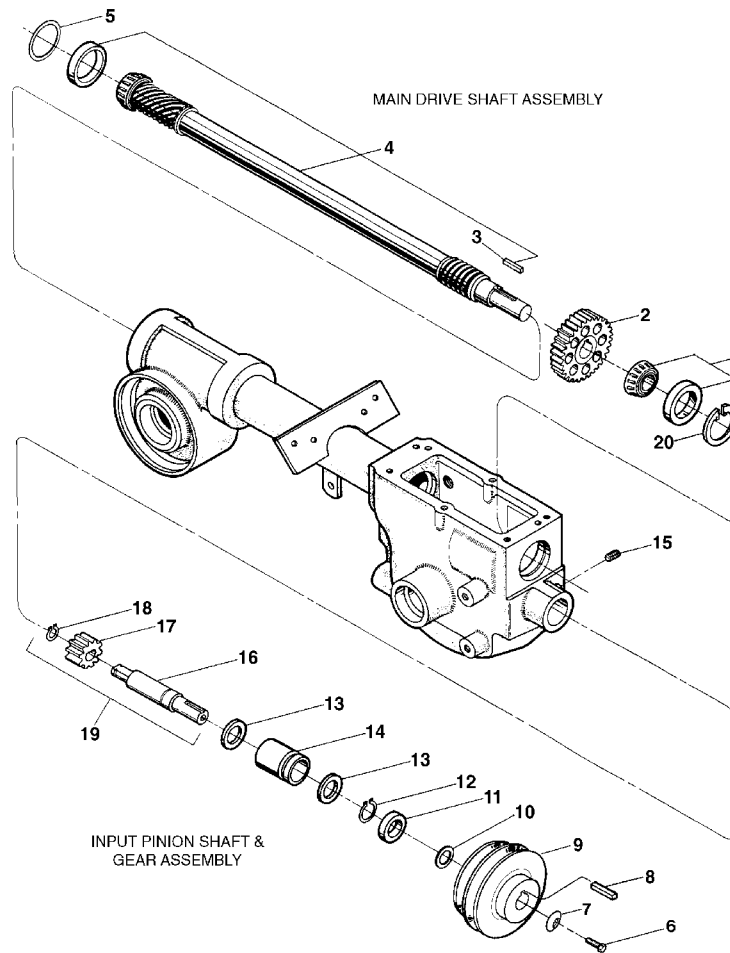


**NOTE 1:** These screws are a special sealing screw that cannot be reused without risking the loss of transmission oil. If these screws are loosened or removed, they must be replaced with new screws.

| REF NO. | PART NO.  | DESCRIPTION                        | REF NO. | PART NO.  | DESCRIPTION                                 |
|---------|-----------|------------------------------------|---------|-----------|---|
| 1       | 721-04031 | Oil Seal                           | 12      | 710-04049 | Hex Flange Screw, 5/16-18 x 5/8*            |
| 2       | 1105620   | Pipe Plug, 1/4                     | 13      | GW-20873  | Tiller Housing Cover, left side             |
| 3       | 721-04001 | Seal, Transmission Bore            | 14      | GW-1129-1 | Gasket, Tiller Housing Cover, .010" (A/R)   |
| 4       | 1186329   | Hex Flange Screw, 5/16-18 x 3/4*   | 15      | 1915069   | Self-Sealing Screws, 1/4-20 x 7/8           |
| 5       | 1983632   | Oil Seal, Input Pinion Shaft1      | 16      | GW-1115   | Rear Bearing Cap                            |
| 6       | GW-20914  | Transmission Cover                 | 17      | GW-1124-2 | Gasket, Rear Bearing Cap, .010" Thick (A/R) |
| 7       | GW-20694  | Gasket, Transmission Top Cover     | 18      | GW-90063  | Hex Flange Screw, 5/16-18 x 1*              |
| 8       | 619-04010 | Transmission Case Assy.            | 19      | 1915068   | Self-Sealing Screws, 1/4-20 x 5/8           |
| 9       | GW-9467   | Plug                               | 21      | 736-0169  | Lockwasher, 3/8                             |
| 10      | 1917101   | Mounting Plate, Wheel Clutch Cable | 22      | 710-0216  | Hex Hd. Screw, 3/8-16 x 3/4*                |
| 11      | 721-04035 | Oil Seal, Tiller Shaft             | —       | 737-0353† | Oil, 85W-140                                |

\* Specify GRADE 5 if ordering part locally.  
 A/R – As Required  
 † Capacity of transmission is 53 oz.

# MODEL 675B



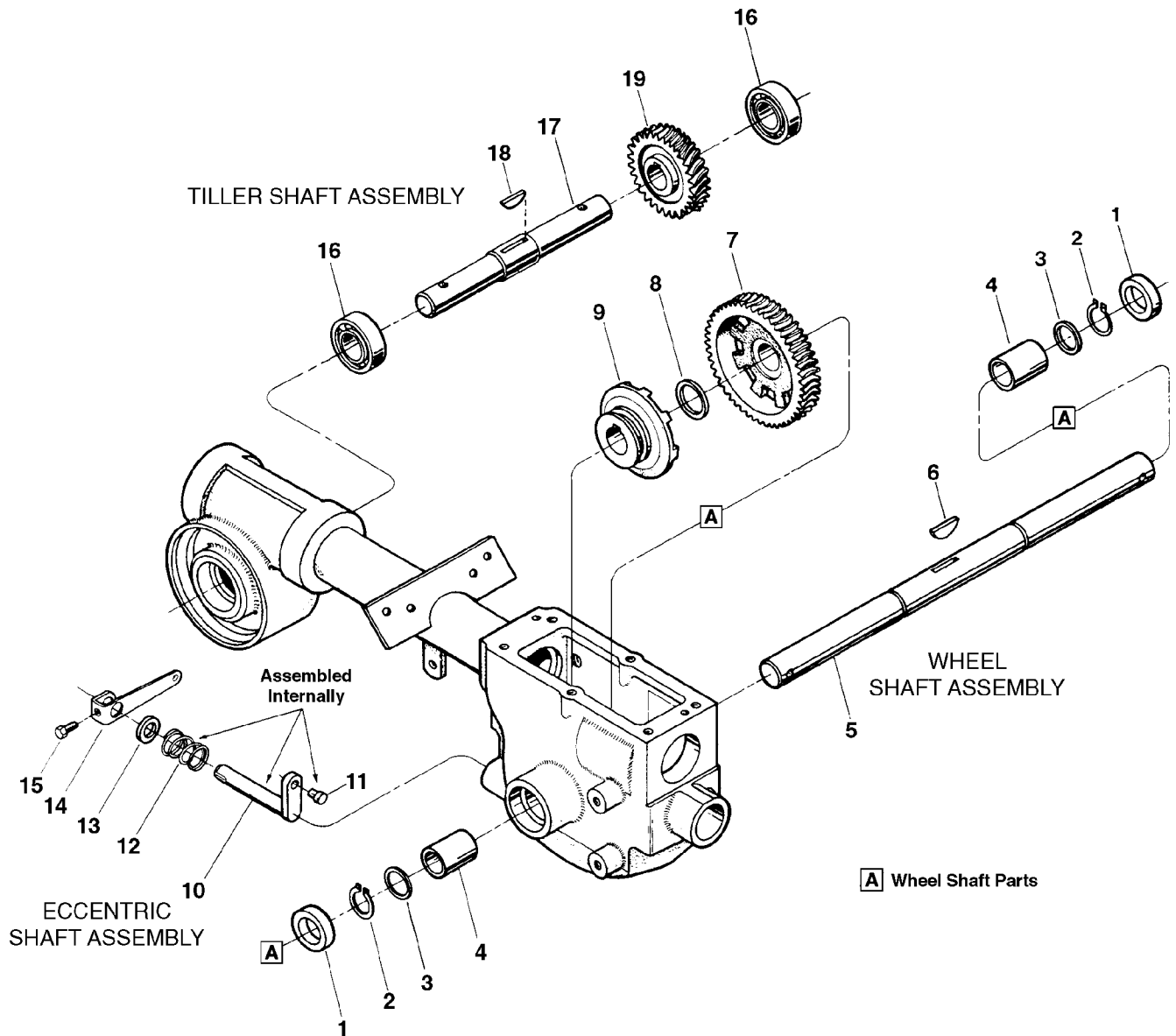
| REF NO. | PART NO.  | DESCRIPTION  | REF NO. | PART NO.  | DESCRIPTION  |
|---------|-----------|--|---------|-----------|--|
| 1       | GW-1714   | Bearing, Tapered Roller with Race  | 7       | GW-9944   | Washer, Disc Spring (concave surface faces pulley) |
| 2       | GW-20718  | Spur Gear  | 8       | 1108841   | Key, 3/16 sq. x 1-1/2                              |
| 3       | GW-9301   | Key, 3/16 sq. x 1  | 9       | 1916522   | Transmission Drive Pulley                          |
| 4       | 1916597   | Main Drive Shaft (Drive shaft is one-piece with integral, single-lead, work-hardened front worm, and integral, six-lead work-hardened rear worm. Also includes pressed-on GW-1714 and GW-9301) | 10      | GW-1440   | Support Washer                                     |
| 5       | GW-1224-1 | Shim, Rear Bearing Cap, .010" thick, see Note below (A/R)  | 11      | 721-04044 | Oil Seal, Input Pinion Shaft                       |
| 5       | GW-1224-2 | Shim, same as above, but .030" thick, see Note (A/R)   | 12      | 1113527   | Retaining Ring (external)                          |
| 5       | GW-1224-3 | Shim, same as above, but .005" thick, see Note (A/R)   | 13      | GW-9953   | Thrust Washer                                      |
| ...     | GW-1325C  | Shim Set (Incl. two GW-1224-1; two 1224-2 and one GW-1224-3 (A/R)  | 14      | GW-9428   | Bushing  |
| 6       | GW-9572   | Hex Hd. Screw, 5/16-24 x 1-1/8*1   | 15      | GW-9677   | Set Screw, 5/16-18 x 3/8*                          |
|         |           |  | 16      | GW-20791  | Input Pinion (steel shaft)                         |
|         |           |  | 17      | GW-20792  | Input Pinion Gear                                  |
|         |           |  | 18      | GW-9093   | Retaining Ring (external)                          |
|         |           |  | 19      | GW-20799  | Pinion Assy. (Incl. Refs. 16, 17 & 18)             |
|         |           |  | 20      | GW-9517   | Retaining Ring                                     |

NOTE: Shim between drive shaft rear bearing and rear bearing cap to achieve 5-to-10 thousandths of an inch (.005-.010) end play on drive shaft.

A/R – As Required

\* Specify GRADE 5 if ordering part locally.

# MODEL 675B



| REF NO. | PART NO.  | DESCRIPTION                           | REF NO. | PART NO.  | DESCRIPTION                     |
|---------|-----------|---------------------------------------|---------|-----------|---------------------------------|
| 1       | 721-04031 | Oil Seal                              | 9       | GW-20712  | Wheel Drive Clutch (cast-iron)  |
| 2       | 1909950   | Retaining Ring (heavy-duty, external) | 10      | 611-04002 | Eccentric Shaft                 |
| 3       | GW-1166-1 | Shim, 1-1.64 I.D., .062" thick (A/R)  | 11      | GW-1442   | Pin, Eccentric Shaft            |
| ---     | GW-1166-2 | Shim, as above, but .030" thick (A/R) | 12      | GW-9055   | Spring                          |
| ---     | GW-1166-3 | Shim, as above, but .015" thick (A/R) | 13      | 721-04034 | Oil Seal                        |
| ---     | GW-1166-4 | Shim, as above, but .010" thick (A/R) | 14      | 786-04001 | Eccentric Shaft Lever           |
| 4       | GW-1086   | Bushing                               | 15      | 710-3013  | Hex Hd. Screw, 1/4-20 x 1/2*    |
| 5       | 711-04091 | Wheel Shaft                           | 16      | 741-3037  | Ball Bearing                    |
| 6       | GW-9373   | Hi-Pro Key, 1/4 x 1-5/16              | 17      | 711-04130 | Tiller Shaft                    |
| 7       | GW-20914  | Wheel Drive Worm Gear (cast-iron)     | 18      | GW-1104   | Woodruff Key, 1/4 x 1-1/4       |
| 8       | GW-9935   | Shim, 6 I.D. x 1.468 O.D. x .062      | 19      | 1904279   | Tiller Drive Worm Gear (bronze) |

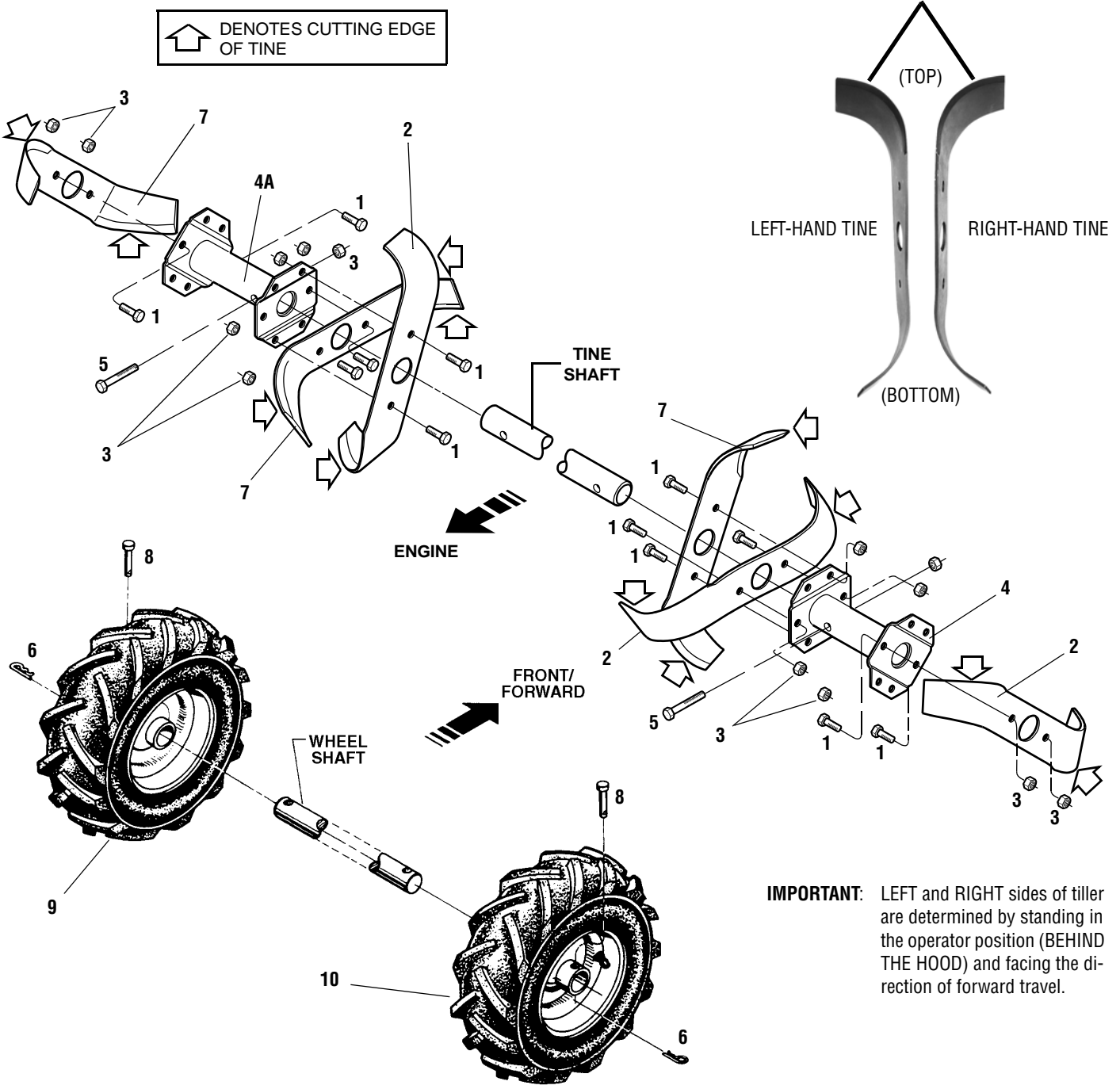
\* Specify GRADE 5 if ordering part locally.

A/R - As Required

# MODEL 675B

Mount Tines So The Cutting Edge At The Top Of Each Tine Faces The Operator

↑ DENOTES CUTTING EDGE OF TINE

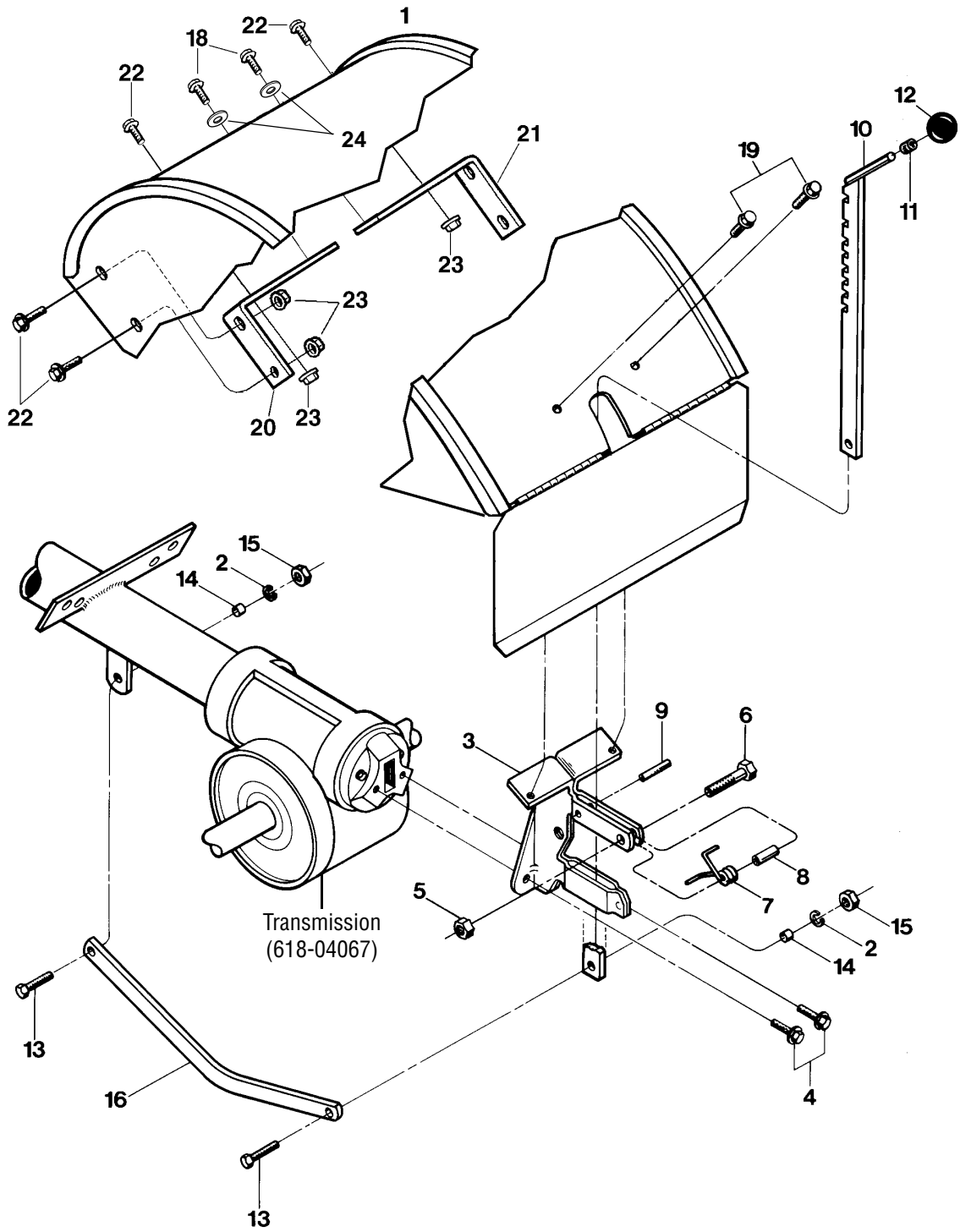


**IMPORTANT:** LEFT and RIGHT sides of tiller are determined by standing in the operator position (BEHIND THE HOOD) and facing the direction of forward travel.

| REF NO. | PART NO. | DESCRIPTION                        | REF NO. | PART NO.  | DESCRIPTION                    |
|---------|----------|------------------------------------|---------|-----------|--------------------------------|
| 1       | 710-0216 | Hex Hd. Screw, 3/8-16 x 3/4*       | 6       | GW-9338   | Hitch Pin                      |
| 2       | 1985101  | Tine – right-hand                  | 7       | 1985100   | Tine – left-hand               |
| 3       | 712-3000 | Hex Lock Nut, 3/8-16               | 8       | GW-9380   | Clevis Pin, .312 x 1-3/4 long  |
| 4       | 1916693  | Tine Holder, left-side             | 9       | 634-04033 | Wheel & Tire Assy., left-side  |
| 4A      | 1916694  | Tine Holder, right-side            | 10      | 634-04032 | Wheel & Tire Assy., right-side |
| 5       | 710-3096 | Hex Hd. Screw, 3/8-16 x 2, Grade 8 |         |           |                                |



MODEL 675B



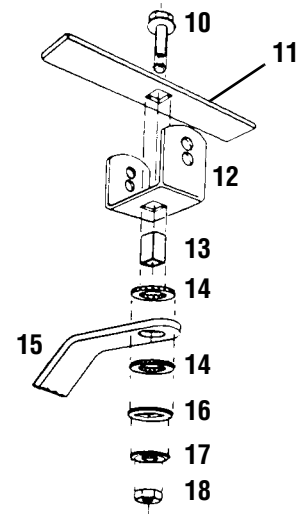
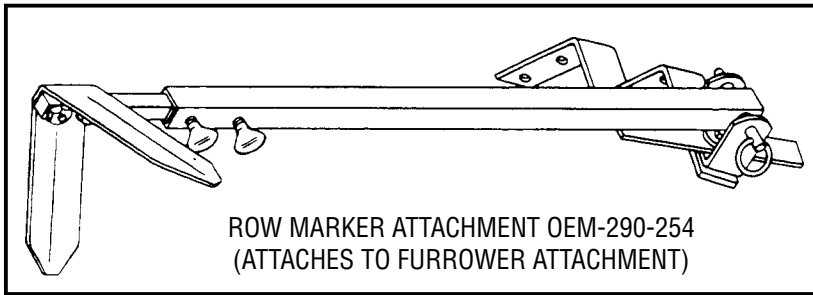
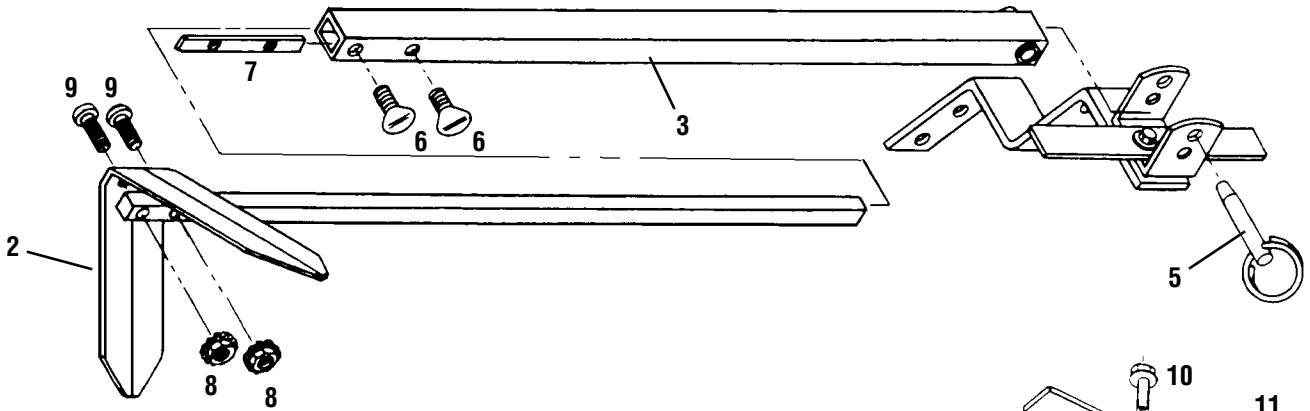
## MODEL 675B

| REF NO. | PART NO.  | DESCRIPTION                               |
|---------|-----------|---|
| 1       | 686-04021 | Hood, Tine                                |
| 2       | 736-0169  | Lockwasher, 3/8                           |
| 3       | GW-2525   | Bracket, Hood & Depth Regulator           |
| 4       | 710-04049 | Hex Hd. Flg. Screw, 5/16-18 x 5/8*        |
| 5       | 712-0291  | Hex Lock Nut, 1/4-20                      |
| 6       | 710-0597  | Hex Hd. Screw, 1/4-20 x 1*                |
| 7       | GW-9384   | Spring, Depth Regulator Plunger           |
| 8       | GW-9534   | Spacer                                    |
| 9       | 1185469   | Roll Pin (spiral), 1/4 x 1                |
| 10      | GW-20795  | Bar Assembly, Depth Adjustment            |
| 11      | GW-9120   | Retaining Ring (Tolerance Ring)           |
| 12      | GW-9119   | Knob, Depth Regulator (Incl. Ref. 11)     |
| 13      | 710-3005  | Hex Hd. Screw, 3/8-16 x 1-1/4*            |
| 14      | GW-1113-1 | Bushing (spacer)                          |
| 15      | 712-3017  | Hex Nut, 3/8-16                           |
| 16      | GW-20775  | Drag Bar, Depth Regulator                 |
| 18      | 710-3038  | Hex Hd. Screw, self-tapping, 16-18 x 7/8* |
| 19      | 710-0599  | Flange Screw, self-tapping, 1/4-20 x 1/2* |
| 20      | 786-04157 | Support Bracket, Left-Side                |
| 21      | 786-04158 | Support Bracket, Right-Side               |
| 22      | 1186328   | Hex Hd. Screw, 5/16-18 x 5/8              |
| 23      | 1186391   | Hex Nut, 5/16-18                          |
| 24      | 736-0242  | Bell Washer                               |

\* Specify GRADE 5 if ordering part locally.

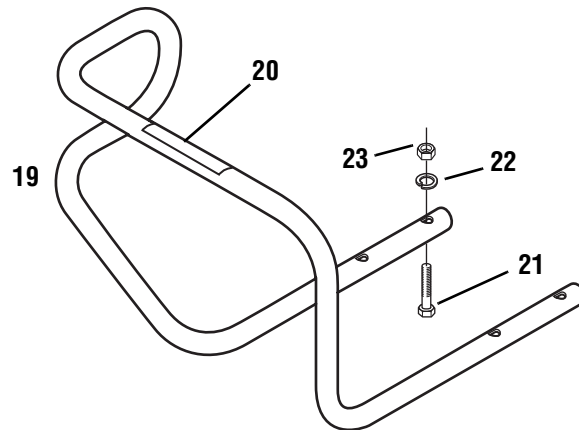
**MODEL 675B**

**ROW MARKER ATTACHMENT (OPTIONAL)**



**MAIN SUPPORT/YOKE ASSEMBLY**  
Part No. 1904522

**BUMPER ATTACHMENT (OPTIONAL)**



**BUMPER**  
OEM-290-254

## MODEL 675B

| REF NO. | PART NO.  | DESCRIPTION   |
|---------|-----------|---|
| 1       | 1904522   | Main Support & Yoke Assy<br>(Incl. Ref.10- Ref. 18)   |
| 2       | GW-1594   | Marker Blade—blade only   |
| 3       | 1904524   | Marker Arm—main arm   |
| 4       | 1904523   | Marker Arm—extension arm with pin   |
| 5       | GW-9347   | Hitch Pin   |
| 6       | GW-9786   | Thumbscrew—1/4-20 x 1/2   |
| 7       | GW-1596   | Nut Bar   |
| 8       | GW-9828   | Nut—hex, 10-24 w/ attached star washers   |
| 9       | 1100135   | Screw—round hd.,10-24 x   |
| ---     | GW-1837   | Hardware Package—includes: one GW-9347<br>hitch pin, two GW-9786 thumbscrews,<br>two GW-9828 hex nuts and two 1100135<br>screws |
| 10      | 1186349   | Screw—hex flanged locking,3/8-16 x 1-1/2*   |
| 11      | GW-1593   | Stop Bar  |
| 12      | GW-1592   | Yoke  |
| 13      | GW-1591   | Tube Key—square   |
| 14      | GW-1590   | Washer—friction   |
| 15      | GW-1588   | Main Support  |
| 16      | GW-1589   | Washer—square hole  |
| 17      | GW-9925   | Washer—disc spring  |
| 18      | 1186231   | Nut—hex 3/8-161   |
| 19      | 1918749   | Bumper  |
| 20      | 777S30653 | Decal - Caution   |
| 21      | 710-0395  | Screw—hex hd., 5/16-18 x 2-1/4*   |
| 22      | 736-0119  | Lockwasher—5/16*  |
| 23      | 712-0267  | Nut—hex, 5/16-18*   |
| ---     | 1918781   | Hardware Kit:<br>Incl. four each of Refs. 21, 22 and 23   |

Note: Most common hardware listed above as can be found at most hardware stores.

\* Specify GRADE 5 if ordering part locally.