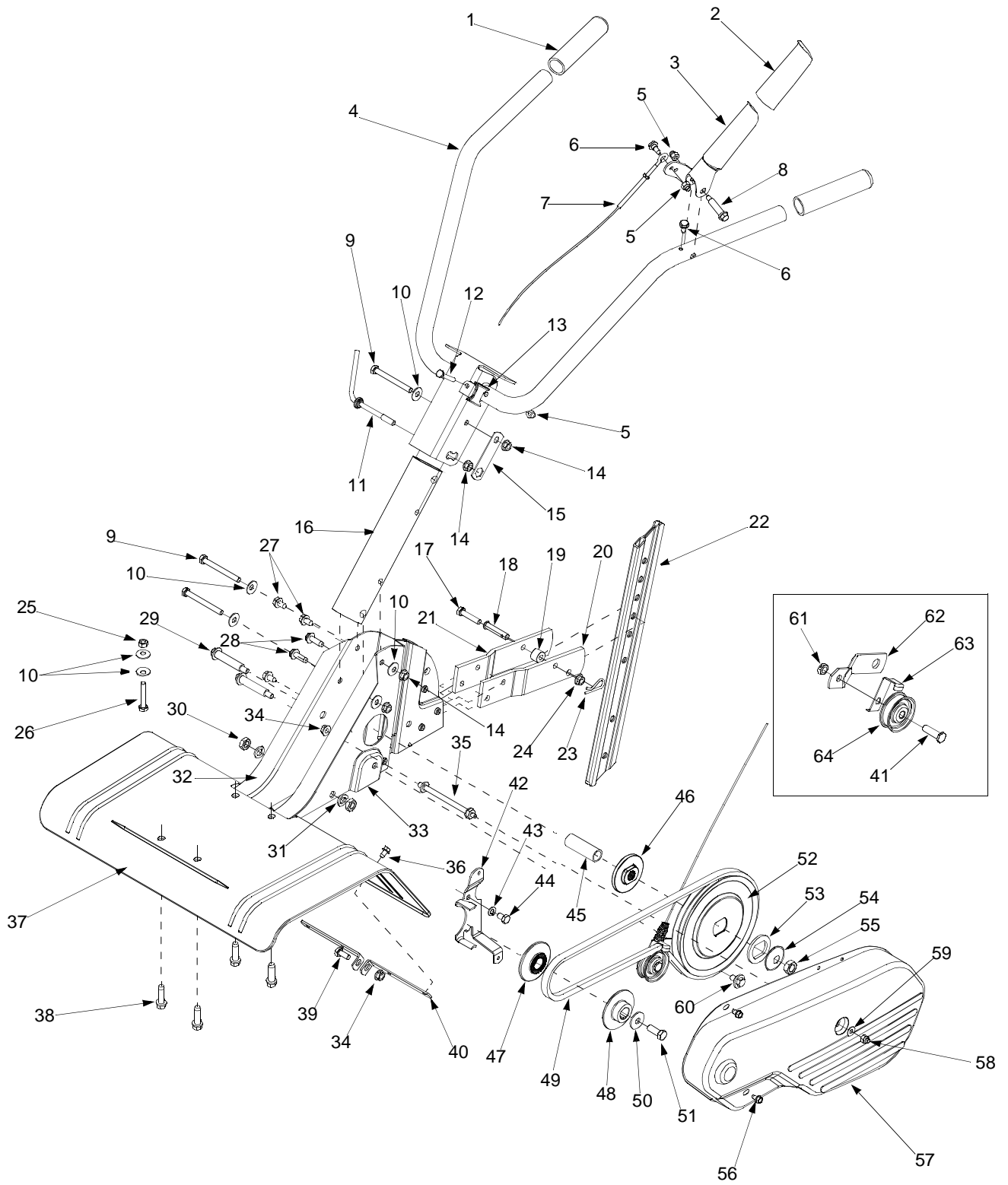


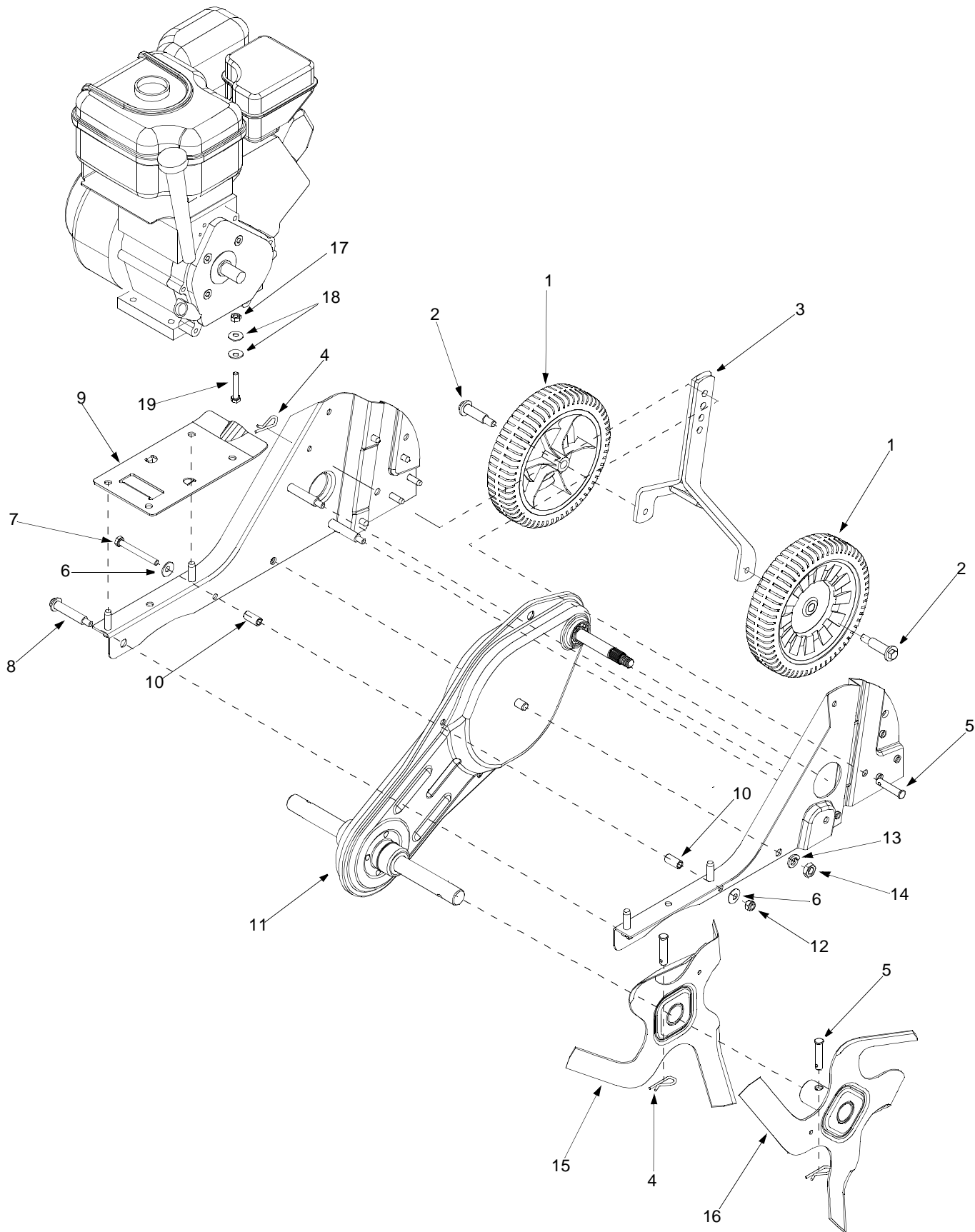
# Model 332C



# Model 332

| Ref. No. | Part No.  | Part Description                | Ref. No. | Part No.  | Part Description                   |
|----------|-----------|---------------------------------|----------|-----------|------------------------------------|
| 1.       | 720-0274  | Grip                            | 34.      | 712-3004A | Flange Lock Nut 5/16-18            |
| 2.       | 731-0473  | Clutch Grip                     | 35.      | 711-0919  | Belt Cover Belt                    |
| 3.       | 686-0002  | Clutch Lever                    | 36.      | 710-0599  | Hex Washer Screw 1/4-20 x .500     |
| 4.       | 649-0137  | Handle Assembly                 | 37.      | 786-0035A | Tine Shield 20"                    |
| 5.       | 712-0442  | Lock Nut Cap 1/4-20             | 38.      | 710-0502A | Hex Washer Screw 3/8-16 x 1.25     |
| 6.       | 738-1225  | Shoulder Screw                  | 39.      | 710-3008  | Hex Cap Screw 5/16-18              |
| 7.       | 746-1148  | Clutch Cable                    | 40.      | 786-0053  | Tine Shield Bracket 20"            |
| 8.       | 738-1226  | Shoulder Screw                  | 41.      | 710-0723  | Hex Cap Screw 3/8-16 x 1.25        |
| 9.       | 710-0189  | Hex Cap Screw 5/16-18 x 3.0     | 42.      | 786-0039B | Cover Bracket                      |
| 10.      | 736-0242  | Bell Washer .340 ID x .872 OD   | 43.      | 736-0119  | Lock Washer 5/16                   |
| 11.      | 786-0340  | Adjustable Handle Crank         | 44.      | 710-0107  | Hex Cap Screw 5/16-24 x .50        |
| 12.      | 710-0606  | Hex Cap Screw 1/4-20 x 1.5      | 45.      | 750-0892  | Input Spacer .64 ID x 2.4 Lg       |
| 13.      | 719-0279  | Rope Guide                      | 46.      | 748-0350  | Pulley Adapter                     |
| 14.      | 712-0720  | Flange Nut 5/16-18              | 47.      | 756-0971  | Engine Inner Half Pulley           |
| 15.      | 786-0341  | Retainer Bracket                | 48.      | 756-0972  | Engine Outer Half Pulley           |
| 16.      | 649-0136  | Handle Tube                     | 49.      | 754-0428  | Belt                               |
| 17.      | 710-0805  | Hex Cap Screw 5/16-18 x 1.5     | 50.      | 736-0452  | Bell Washer .396 ID x 1.140 OD     |
| 18.      | 711-0415  | Clevis Pin 3/8 x 1.62           | 51.      | 710-0152  | Hex Cap Screw 3/8-24 x 1.0         |
| 19.      | 750-0890  | Spacer                          | 52.      | 756-0585  | Flat Pulley                        |
| 20.      | 786-0003  | Tailpiece Bracket LH            | 53.      | 736-0312  | Retainer Bearing Washer            |
| 21.      | 786-0004  | Tailpiece Bracket RH            | 54.      | 736-0112  | Spherical Washer .531 ID x .620 OD |
| 22.      | 786-0005  | Depth Bar                       | 55.      | 712-3029  | Jam Nut 1/2-20                     |
| 23.      | 714-0149B | Cotter Pin                      | 56.      | 710-0599  | Hex Washer Screw 1/4-20 x .50      |
| 24.      | 712-3004A | Hex Flange Locknut 5/16-18      | 57.      | 786-0056  | Cover Belt                         |
| 25.      | 712-3010  | Hex Nut 5/16-18                 | 58.      | 712-0392  | Lock Nut Cap 1/4-28                |
| 26.      | 710-3180  | Hex Cap Screw 5/16-18 x 1.75    | 59.      | 736-3020  | Flat Washer .271 ID x .630 OD      |
| 27.      | 710-0604A | Hex Washer Screw 5/16-18 x .625 | 60.      | 738-0930  | Shoulder Screw                     |
| 28.      | 710-0602  | Hex Washer Screw 5/16-18 x 1.0  | 61.      | 712-0266  | Jam Nut 3/8-16                     |
| 29.      | 738-0934  | Shoulder Screw                  | 62.      | 786-0144  | Idler Bracket                      |
| 30.      | 712-0240  | Jam Nut 7/16-20                 | 63.      | 786-0149  | Idler Keeper Bracket               |
| 31.      | 736-0171  | Lock Washer 7/16                | 64.      | 756-0313  | Flat Idler                         |
| 32.      | 786-0138A | Frame RH                        | 65.      |           |                                    |
| 33.      | 786-0139A | Frame LH                        |          |           |                                    |

# Model 332



# Model 332

| Ref. No. | Part No.  | Part Description              | Ref. No. | Part No. | Part Description              |
|----------|-----------|-------------------------------|----------|----------|-------------------------------|
| 1.       | 734-1781  | Wheel 8 x 1.75                | 12.      | 712-0429 | Hex Lock Nut 5/16-18          |
| 2.       | 738-0929  | Shoulder Screw                | 13.      | 736-0171 | Lock Washer 7/16              |
| 3.       | 686-0081A | Wheel Bracket Assembly        | 14.      | 712-0240 | Jam Nut 7/16-20               |
| 4.       | 714-0149B | Cotter Pin                    | 15.      | 642-0002 | Inner Tine Assembly - RH 12"  |
| 5.       | 711-0415  | Clevis Pin                    |          | 642-0003 | Inner Tine Assembly - LH 12"  |
| 6.       | 736-0242  | Bell Washer .340 ID x .872 OD | 16.      | 642-0004 | Outer Tine Assembly -RH 12"   |
| 7.       | 710-0189  | Hex Cap Screw 5/16-18 x 3.0   |          | 642-0005 | Outer Tine Assembly - LH 12"  |
| 8.       | 738-0934  | Shoulder Screw                | 17.      | 712-3010 | Hex Nut 5/16-18               |
| 9.       | 786-0145A | Engine Mounting Plate         | 18.      | 736-0242 | Bell Washer .340 ID x .872 OD |
| 10.      | 750-0470  | Spacer .47 OD x .96Lg         | 19.      | 710-3180 | Hex Cap Screw 5/16-18 x 1.75  |
| 11.      | 686-0091  | Chain Case Assembly           |          |          |                               |