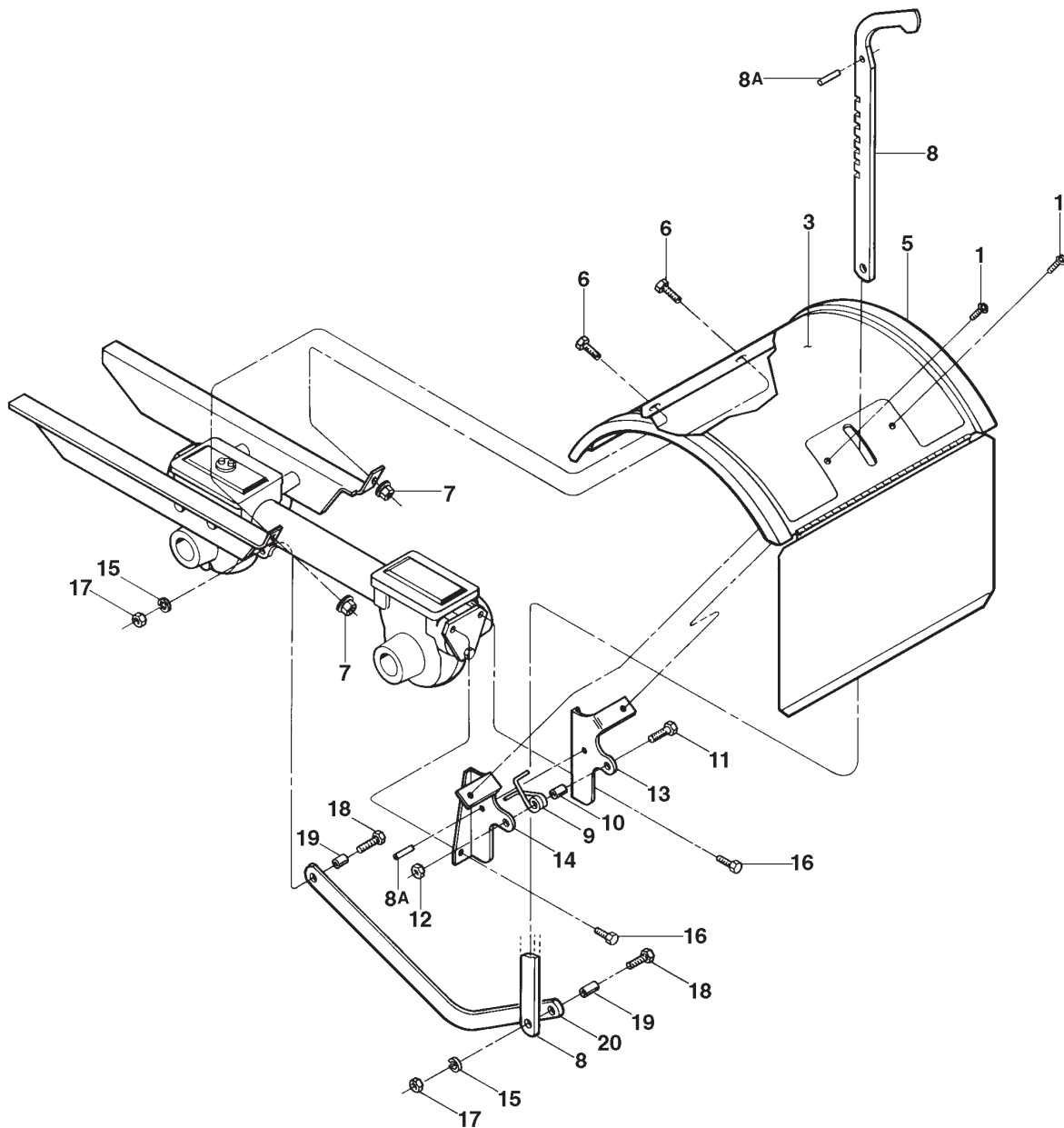


DRAWING NO. 1

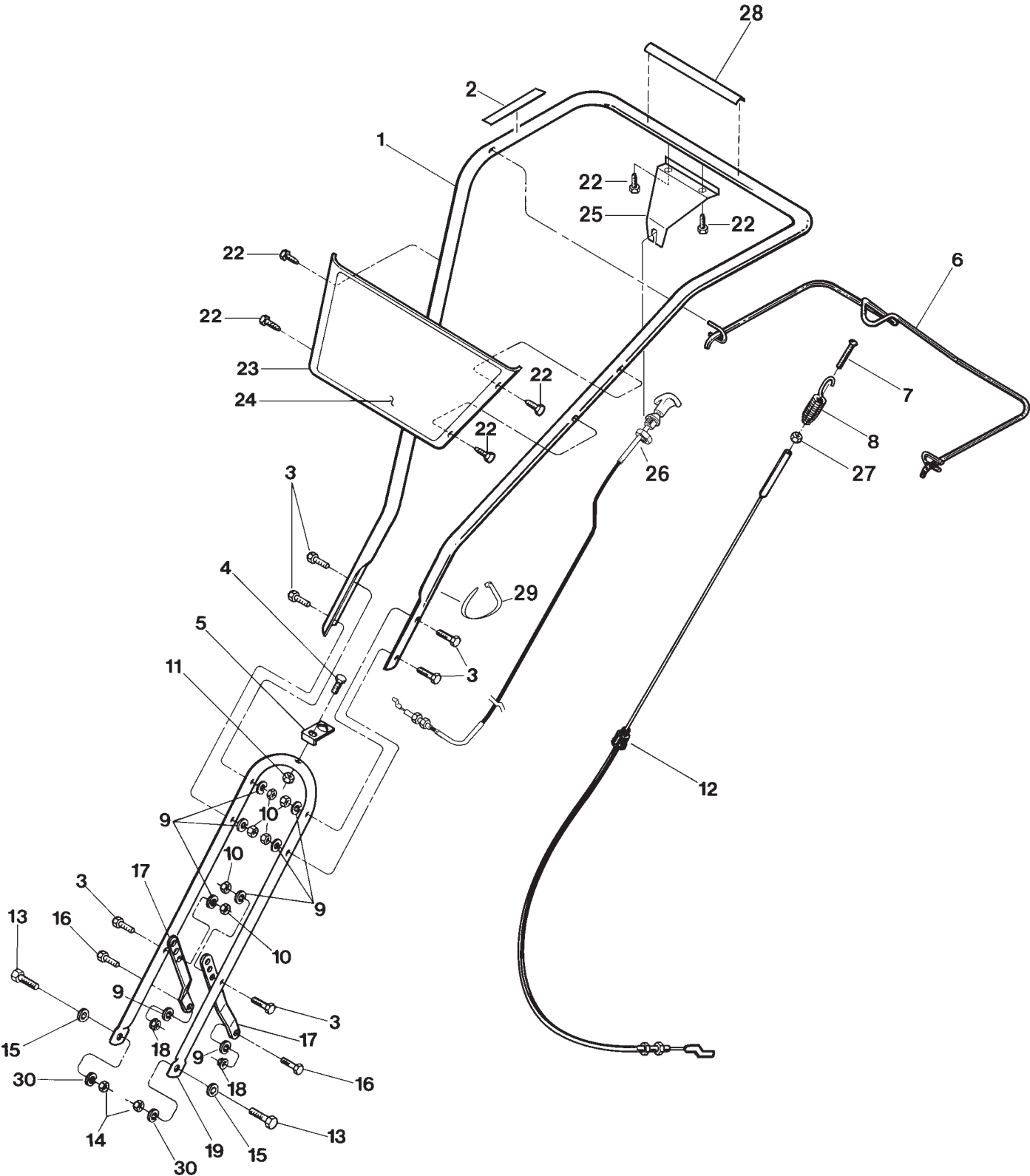


REF. No.	PART No.	DESCRIPTION	QTY.	REF. No.	PART No.	DESCRIPTION	QTY.
1	710-0599	Hex Hd. Flange Screw, Self-Tapping, 1/4-20 x 1/2	2	10	GW-9534	Spacer	1
3	777S30649	Decal, Hood	1	11	710-0597	Hex Hd. Screw, 1/4-20 x 1	1
5	1904572	Tine Hood (Incl. tine flap and Ref. 3) (A)	1	12	712-0291	Hex Lock Nut, 1/4-20	1
	1917594	Tine Hood (Incl. tine flap and Ref. 3) (B) (C)	1	13	1916119001	Hood Bracket, Right Hand.....	1
6	710-3039	Hex Hd. Screw, 5/16-18 x 1/2	2	14	1916120001	Hood Bracket, Left Hand	1
7	712-3004A	Hex Flange Lock Nut, 5/16-18.....	2	15	736-0119	Lock washer, 5/16.....	2
8	1916118001	Depth Regulator Lever	1	16	1186331	Hex Hd. Flange Screw, 5/16-18 x 1	2
8A	1185469	Spirol Pin	2	17	712-3009	Hex Nut, 5/16-18.....	2
9	GW-9384	Spring, Depth Regulator	1	18	710-0874	Hex Hd. Screw, 5/16-18 x 1-1/4.....	2
				19	GW-55088	Bushing.....	2
				20	1916121001	Drag Bar.....	1

(A) For Model 630B
(B) For Model 634F

(C) For Model 634B

DRAWING NO. 2

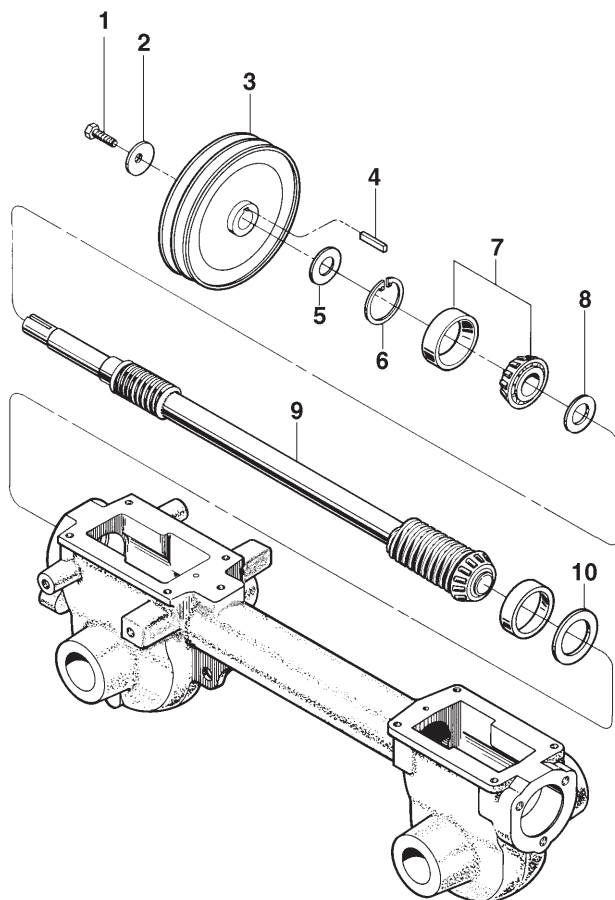


PARTS LIST - DRAWING NO. 2

REF. No.	PART No.	DESCRIPTION	QTY.	REF. No.	PART No.	DESCRIPTION	QTY.
1	GW-55104	Upper Handlebar (Incl. Ref. 2) (A)	1	16	710-0376	Hex Hd. Screw, 5/16-18 x 3/4.....	2
	1916996	Upper Handlebar (Incl. Refs. 2 & 28) (B)(C)	1	17	GW-55042	Handlebar Support	2
2	777120937	Decal, Forward Clutch Bail	1	18	712-3010	Hex Lock Nut, 5/16-18.....	2
3	710-0805	Hex Hd. Screw, 5/16-18 x 1-1/2	6	19	GW-55043	Lower Handlebar	1
4	710-0106	Hex Hd. Screw, 1/4-20 x 1-1/4	1	22	710-0599	Hex Screw, 1/4-20 x 1/2, Self-Tap (A) .	4
5	GW-55044	Bracket, Forward Clutch Cable.....	1		710-0599	Hex Screw, 1/4-20 x 1/2, Self-Tap (B)(C)	6
6	1916106001	Bail, Forward Clutch	1	23	1901273010	Panel	1
7	GW-9855	Screw, #10-24 x 2	1	24	777D05556	Decal, Model Name/Logo (A).....	1
8	1916712	Spring, Forward Clutch.....	1		777D05551	Decal, Model Name/Logo (B).....	1
9	736-0119	Lock Washer, 5/16	6		777D05555	Decal, Model Name/Logo (C).....	1
10	712-3010	Hex Nut, 5/16-18	6	25	1916674001	Bracket, Reverse Clutch Cable (B)(C) ..	1
11	712-0291	Hex Lock Nut, 1/4-20.....	1	26	1916719	Cable Ass'y, Reverse Clutch (B)(C)	1
12	1918745	Cable Assembly, Forward Clutch	1	27	712-0121	Hex Nut, #10-24	1
13	710-0514	Hex Hd. Screw, 3/8-16 x 3/4.....	2	28	777120941	Decal, Reverse Drive Control (B)(C)	1
14	712-3017	Hex Lock Nut, 3/8-16.....	2	29	725-0157	Cable Tie (B)(C).....	1
15	736-3050	Flat Washer, 3/8	2	30	736-0169	Lock Washer, 3/8	2

(A) For Model 630B
 (B) For Model 634F
 (C) For Model 634B

DRAWING/PARTS LIST NO. 3

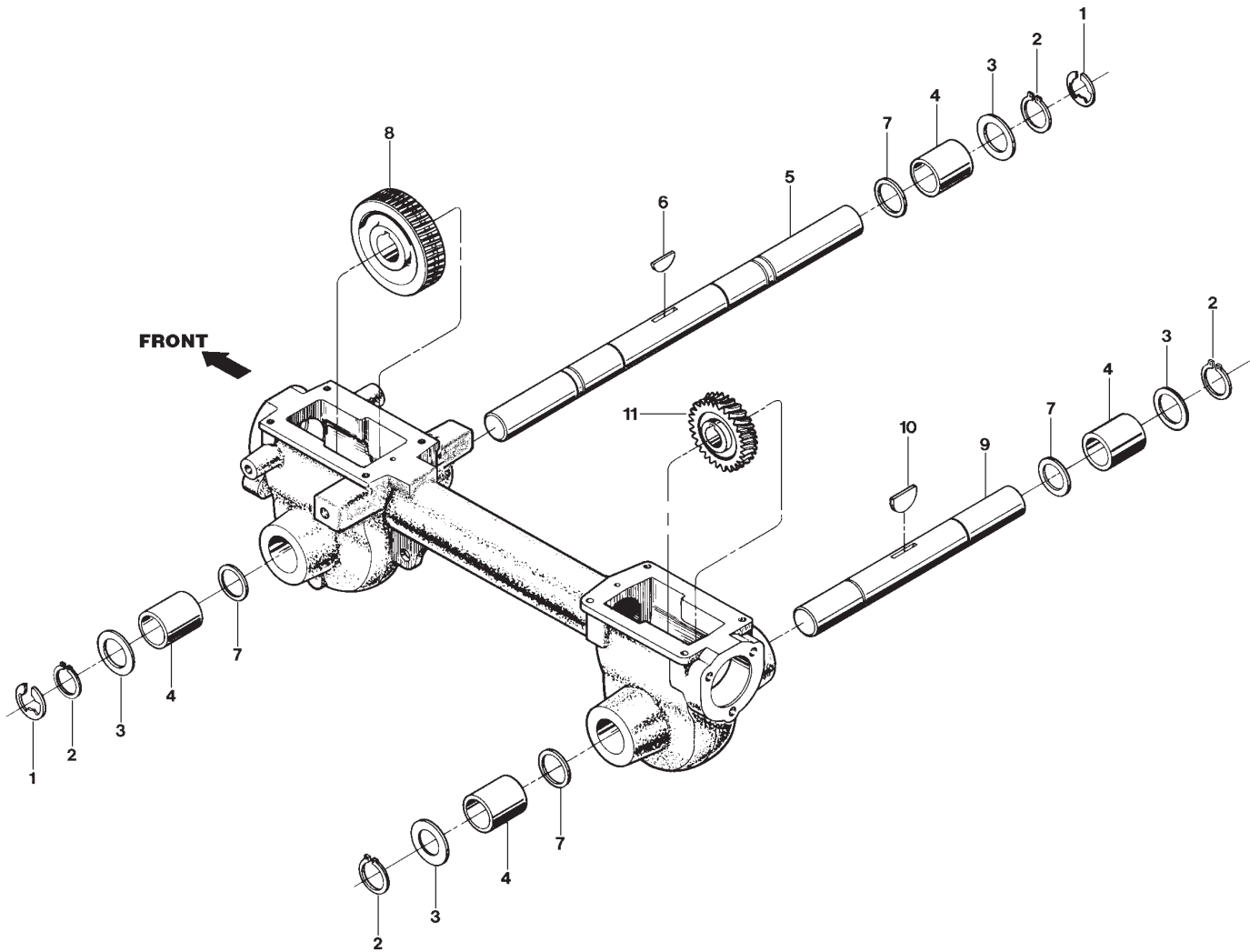


REF. No.	PART No.	DESCRIPTION	QTY.
1	710-0157	Hex Screw, 5/16-24 x 3/4, Grade 5 (A) ...	1
	910-0888	Hex Screw, 5/16-24 x 1, Grade 5 (B)(C)	1
2	GW-9944	Belleville Washer	1
3	GW-55031	Transmission Pulley (A)	1
	1916532	Transmission Pulley (B)(C)	1
4	GW-9301	Key, Transmission Pulley, 3/16 x 1	1
5	GW-50027	Support Washer, Front	1
6	GW-9517	Snap Ring.....	1
7	941-0107	Bearing, Tapered Roller (with race).....	2
8	GW-50043	Support Washer, Rear.....	1
9	1904281	Drive Shaft Ass'y.....	1
10	GW-1224-1	Shim, Rear Bearing Cap, .010" thick	A/R
	GW-1224-2	Shim, same as above, except .030" thick	A/R
	GW-1224-3	Shim, same as above, except .005" thick.....	A/R
	GW-1224-4	Shim, same as above, except .062" thick.....	A/R
	GW-1325C	Shim Set (Incl. the following shims: two #1224-1, two 1224-2, one 1224-3, and one #1224-4)	A/R

(A) For Model 630B
 (B) For Model 634F
 (C) For Model 634B

A/R – As Required

DRAWING NO. 4



REF. No.	PART No.	DESCRIPTION	QTY.
1	GW-9512	Retainer, Snap Ring, "E" Type.....	2
2	1909950	Retainer, Snap Ring	4
3	GW-1166-1	Shim, 0.062" thick	A/R
	GW-1166-2	Shim, 0.030" thick	A/R
	GW-1166-3	Shim, 0.015" thick	A/R
	GW-1166-4	Shim, 0.010" thick	A/R
	GW-1166-5	Shim, 0.005" thick	A/R
4	GW-1086	Bronze Bushing	4

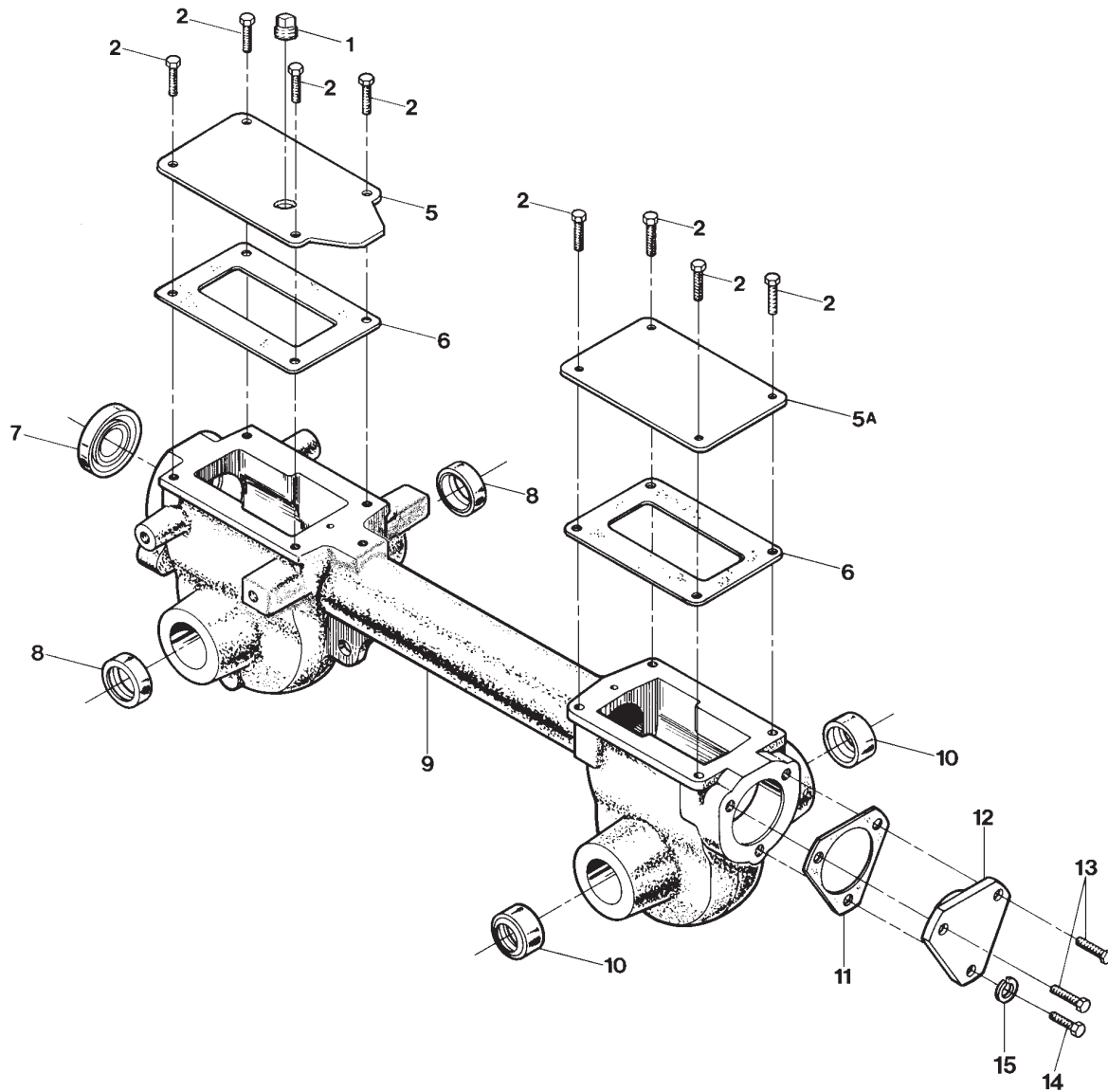
REF. No.	PART No.	DESCRIPTION	QTY.
5	GW-55004	Wheel Shaft (A)	1
	1916741	Wheel Shaft (B) (C)	1
6	714-0134	Key, Hi-Pro, 1/4 x 1	1
7	GW-1132-2	Spacer	4
8	1904278	Worm Gear, Wheel Shaft.....	1
9	1915074	Tiller Shaft.....	1
10	GW-1104	Woodruff Key	1
11	1904279	Worm Gear, Tiller Shaft.....	1

(A) For Model 630B
 (B) For Model 634F
 (C) For Model 634B

A/R – As Required

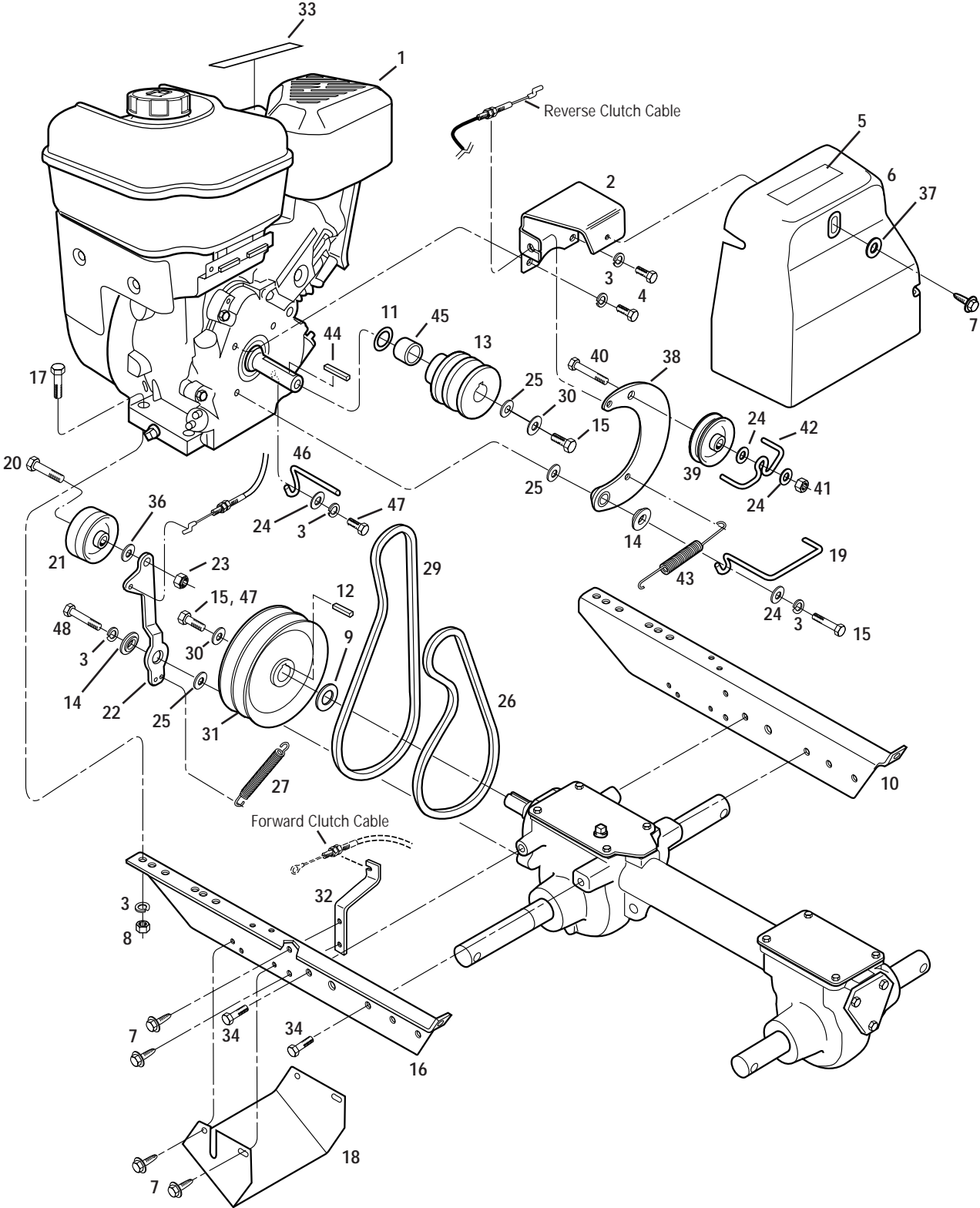
918-04000 Transmission complete Bronco
 918-04001 Transmission complete Tuffy

DRAWING NO. 5



REF. No.	PART No.	DESCRIPTION	QTY.	REF. No.	PART No.	DESCRIPTION	QTY.
1	GW-9727	Plug, Transmission Oil Fill	1	9	1916975001	Transmission Housing Ass'y.....	1
2	1186328	Hex Hd. Flange Screw, 5/16-18 x 5/8, Grade 5	8	10	1909374	Oil Seal, Tine Shaft	2
5	1916641001	Front Cover, Transmission	1	11	GW-55011-1	Bearing Cap Gasket, .010" thick	1
5A	1916109001	Rear Cover, Transmission.....	1		GW-55011-2	Bearing Cap Gasket, .030" thick	1
6	GW-50032	Gasket, Housing Cover.....	2	12	GW-55010	Rear Bearing Cap	1
7	GW-9617	Oil Seal, Drive Shaft	1	13	1186331	Hex Hd. Flange Screw, 5/16-18 x 1	2
8	GW-9621	Oil Seal, Wheel Shaft.....	2	14	710-3008	Hex Hd. Flange Screw, 5/16-18 x 3/4..	1
				15	736-0119	Lock Washer, 5/16.....	1

DRAWING NO. 6



Models 634F, 634B and 630B

REF. No.	PART No.	DESCRIPTION	QTY.	REF. No.	PART No.	DESCRIPTION	QTY.
1	*	Engine, Recoil Start.....	1	24	1107382	Flat Washer	2
2	1917326001	Bracket, Belt Cover.....	1	25	GW-9929	Flat Washer	3
3	736-0119	Lock Washer, 5/16.....	8	26	GW-55037	Forward Drive Belt (A)	1
		Lock Washer, 5/16 (B)(C)	7		1916657	Forward Drive Belt (B)(C)	1
4	710-0237	Hex Hd. Screw, 5/16-24 x 5/8	2	27	GW-55034	Forward Return Spring.....	1
5	777S30653	Decal, Hot Surfaces Warning	1	29	1916658	Reverse Drive Belt (B)(C)	1
6	1917128	Belt Cover (Incl. Ref. 5).....	1	30	GW-9944	Belleville Washer	2
7	710-0599	Hex Hd. Flange Screw, Self-Tapping, 1/4-20 x 1/2	7	31	GW-55031	Transmission Pulley (A)	1
					1916532	Transmission Pulley (B)(C)	1
8	712-3010	Hex Nut, 5/16-18.....	4	32	1916117001	Bracket, Cable Mounting	1
9	GW-50027	Support Washer	1	33	777I20943	Decal, Stabilization	1
10	1916795001	Engine Bracket, Right.....	1	34	1186328	Hex Hd. Screw, 5/16-18 x 5/8	4
11	GW-1138-2	Shim	A/R	35	710-3008	Hex Hd. Screw, 5/16-18 x 3/4	1
12	GW-9301	Key, 3/16" x 1".....	1	36	736-3050	Flat Washer, 3/8	1
13	GW-55035	Pulley, Engine Drive (A)	1	37	736-3090	Flat Washer	1
	1916531	Pulley, Engine Drive (B)(C)	1	38	1918731	Reverse Idler Arm (B)(C)	1
14	1917746	Shoulder Washer	2	39	1916535	Pulley, Reverse Idler (B)(C)	1
15	710-0117	Hex Hd. Screw, 5/16-24 x 1 (B)(C)	3	40	710-3103	Hex Hd. Screw, 5/16-18 x 2 (B)(C)	1
16	1916794001	Engine Bracket, Left	1	41	712-3009	Lock Nut, 5/16-18 (B)(C)	2
17	710-0805	Hex Hd. Screw, 5/16-18 x 1-1/2.....	4	42	1916725	Belt Guide (B)(C)	1
18	1916652001	Guard, Belts/Pulleys	1	43	1916724	Reverse Return Spring (B)(C)	1
19	1916726	Forward Belt Guide (B)(C)	1	44	914-0133	Key, 3/16" x 1-1/2"	1
20	710-0520	Hex Hd. Screw, 3/8-16 x 1-1/2.....	1	45	GW-55036	Spacer (A)	1
21	GW-9090	Forward Idler Pulley	1	46	GW-55039	Forward Belt Guide (A)	1
22	1918744	Forward Idler Lever	1	47	710-0157	Hex Hd. Screw, 5/16-24 x 3/4 (A)	2
23	712-3000	Lock Nut, 3/8-16	1	48	710-0376	Hex Hd. Screw, 5/16-18 x 1	1

(A) For Model 630B

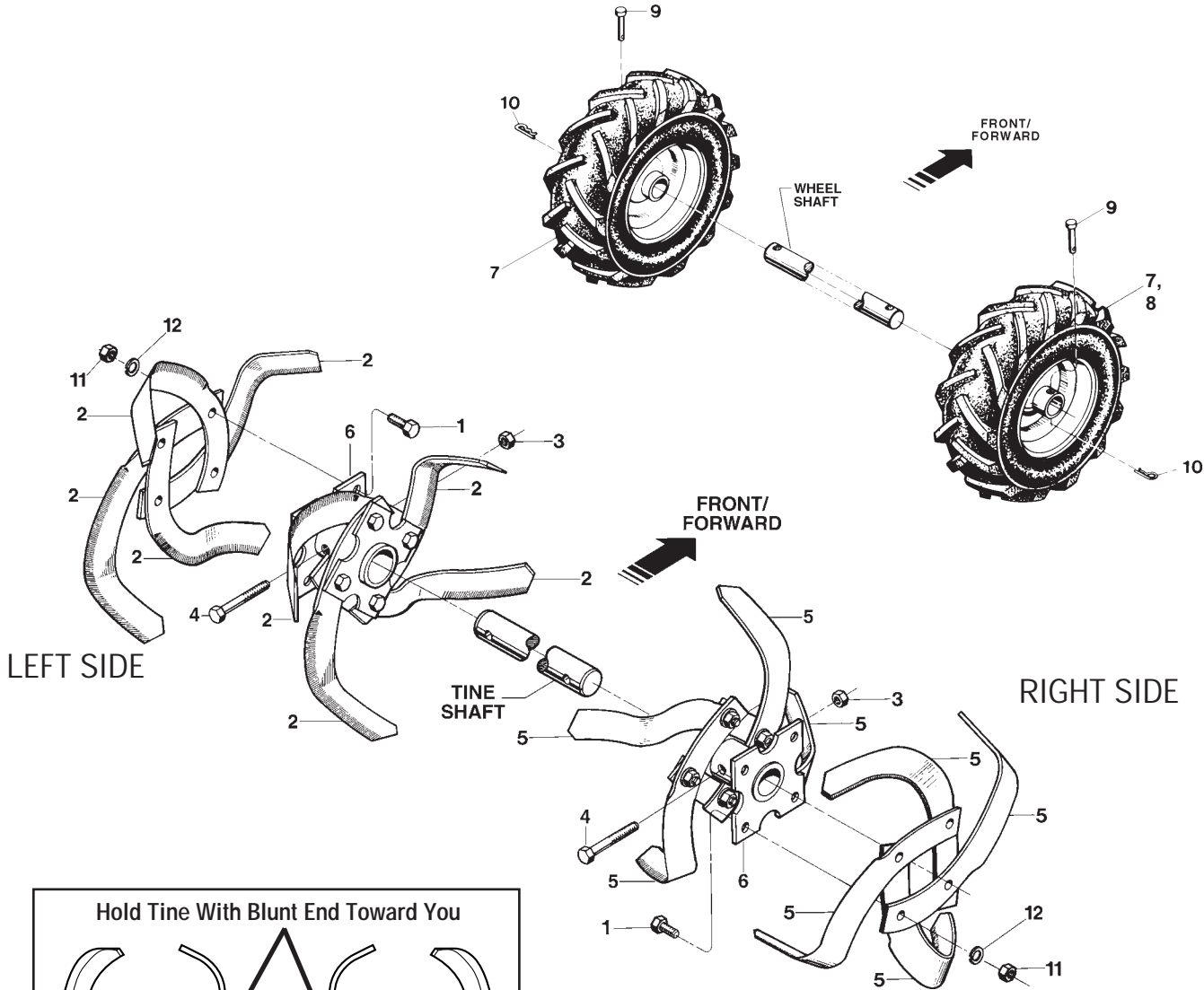
(B) For Model 634F

(C) For Model 634B

A/R – As Required

* Contact your local authorized engine service dealer for engine parts and service. Refer to your engine nameplate for engine model/type number.

DRAWING NO. 7



Hold Tine With Blunt End Toward You

Left Hand Tine **Right Hand Tine**

NOTE: Identify Left and Right sides of tiller by standing in operator position and facing direction of forward travel.

Models 634F, 634B and 630B

REF. No.	PART No.	DESCRIPTION	QTY.	REF. No.	PART No.	DESCRIPTION	QTY.
1	710-3005	Hex Hd. Screw, 3/8-16 x 1-1/4, Grade 5	16	6	1916747001	Tine Holder (B)(C)	2
2	GW-50049-01	Bolo Tine - Right Hand. Single tine used on left side of tiller. (Incl. two each Refs. 1 & 3).....	8		1915075001	Tine Holder (A)	2
3	712-3000	Hex Lock Nut, 3/8-16	2	7	1917486	Wheel & Tire Ass'y. (B)	2
4	710-0347	Hex Hd. Screw, 3/8-16 x 1-3/4	2		1917487	Wheel & Tire Ass'y. (C)	2
----	GW-1901	Bolo Tine Replacement Set (Incl. eight right hand tines, eight left hand tines and required hardware	1		GW-55095-01	Wheel & Tire Ass'y. - Left Side (A)	1
5	GW-50049-02	Bolo Tine - Left Hand. Single tine used on right side of tiller. (Incl. two each Refs. 1 & 3).....	8	8	GW-55095-02	Wheel & Tire Ass'y. - Right Side (A)	1
				9	GW-9380	Clevis Pin, .312" x 1-3/4"	2
				10	GW-9338	Hair Pin Cotter.....	2
				11	712-3017	Hex Nut, 3/8-16.....	16
				12	736-0169	Lock Washer, 3/8	16

(A) For Model 630B

(B) For Model 634F

(C) For Model 634B