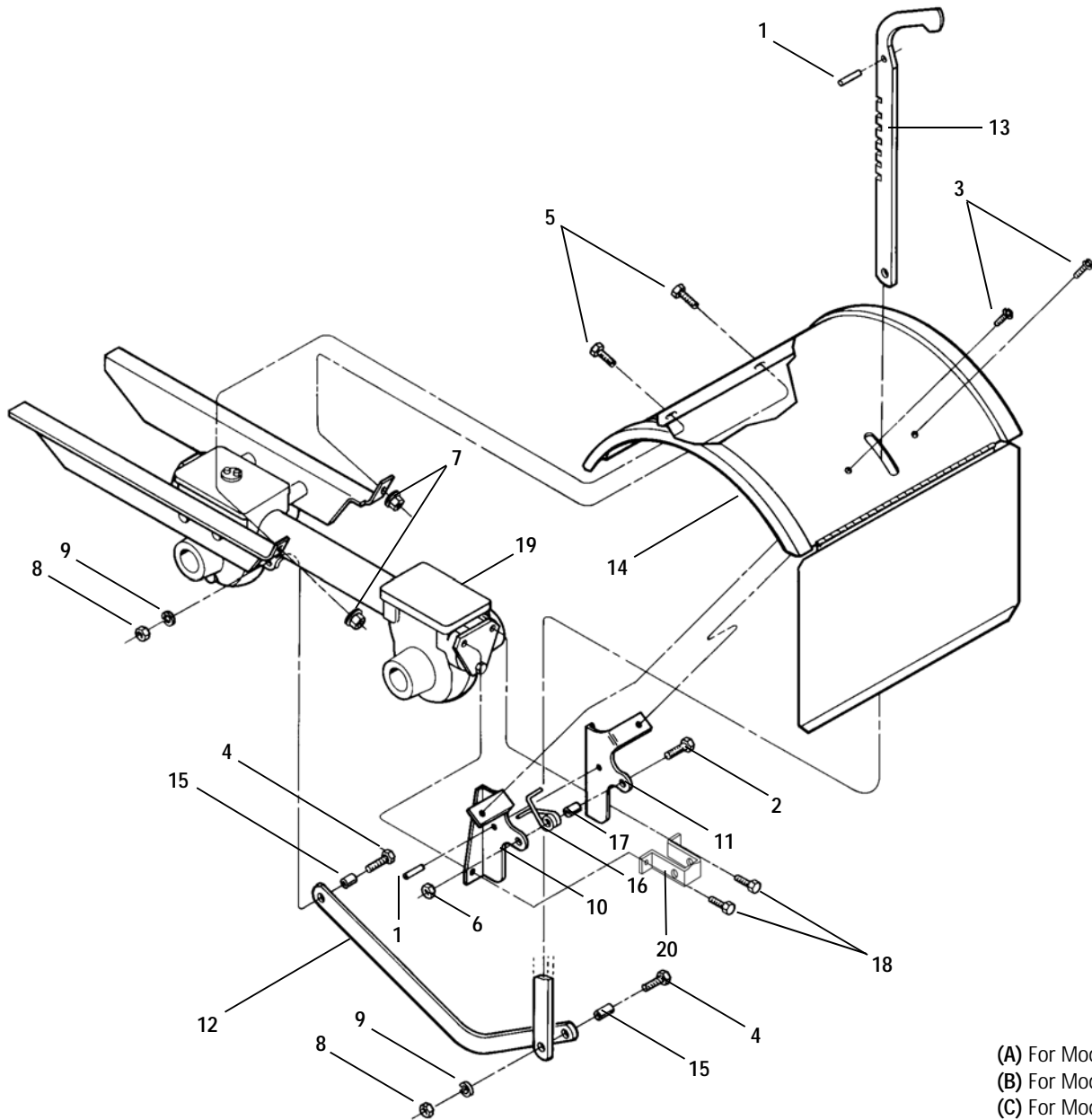


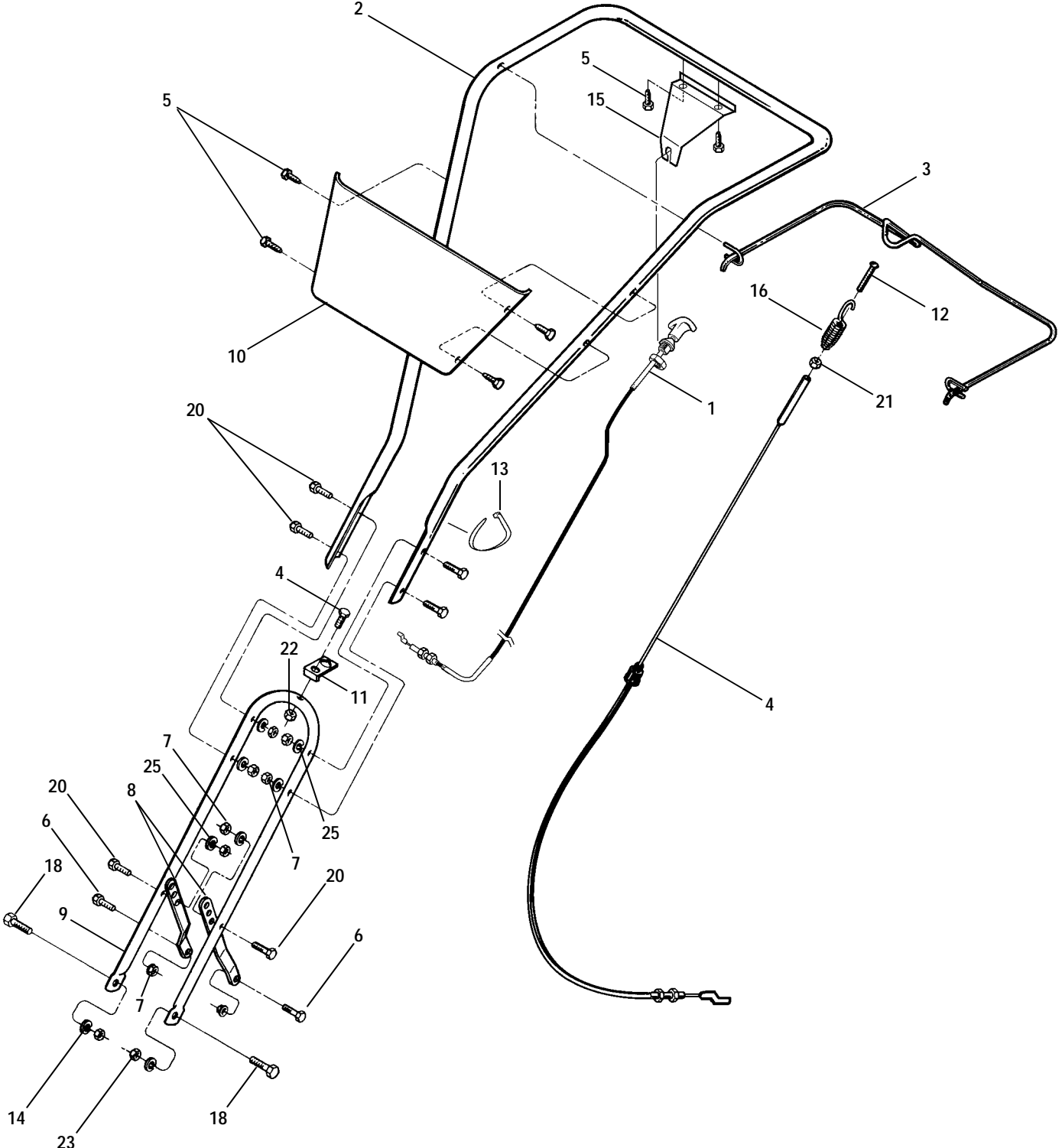
# MODELS 21A-630C, 21A-634F & 21A-634B PARTS LIST



(A) For Model 630C  
 (B) For Model 634F  
 (C) For Model 634B

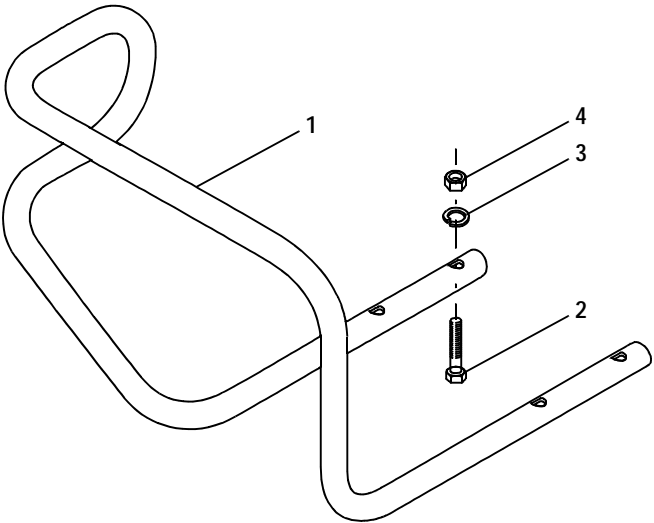
| REF NO. | PART NO.   | DESCRIPTION                       | REF NO. | PART NO.  | DESCRIPTION                       |
|---------|------------|-----------------------------------|---------|-----------|-----------------------------------|
| 1       | 1185469    | Spirol Pin                        | 12      | GW-55015  | Drag Bar                          |
| 2       | 710-0597   | Hex Hd. Screw, 1/4-20 x 1         | 13      | GW-55018  | Depth Regulator Lever             |
| 3       | 710-0599   | Screw, Self-Tapping, 1/4-20 x 1/2 | 14      | 1916623   | Tine Hood Assembly (B) (C)        |
| 4       | 710-0874   | Hex Hd. Screw, 5/16-18 x 1-1/4    |         | GW-55024  | Tine Hood Assembly (A)            |
| 5       | 710-3039   | Hex Hd. Screw, 5/16-18 x 1/2      | 15      | GW-55088  | Bushing                           |
| 6       | 712-0291   | Hex Lock Nut, 1/4-20              | 16      | GW-9384   | Spring, Depth Regulator           |
| 7       | 712-3004A  | Hex Flange Lock Nut, 5/16-18      | 17      | GW-9534   | Spacer                            |
| 8       | 712-3009   | Hex Nut, 5/16-18                  | 18      | 710-04048 | Hex Hd. Flange Screw, 5/16-18 x 1 |
| 9       | 736-0119   | Lock Washer, 5/16                 | 19      | 618-04000 | Transmission Assembly (B) (C)     |
| 10      | GW-55013-1 | Hood Bracket, Left Hand           |         | 618-04001 | Transmission Assembly (A)         |
| 11      | GW-55013-2 | Hood Bracket, Right Hand          | 20      | 1916569   | Flap Stop Bracket                 |

MODELS 630C, 634F & 634B



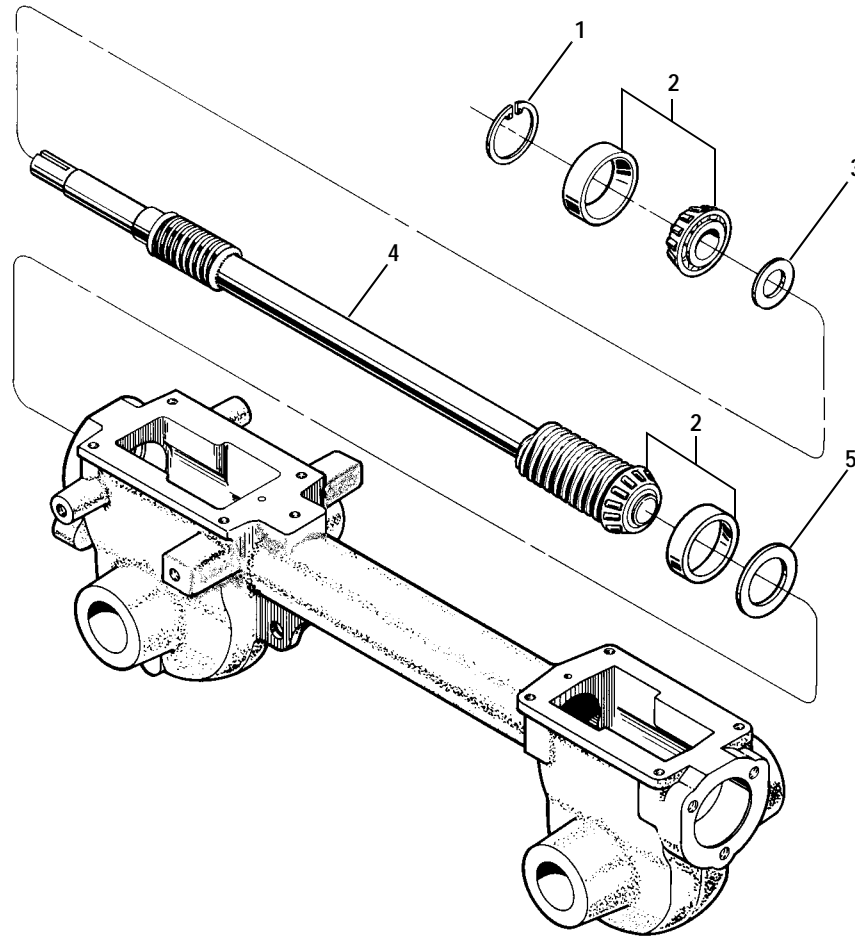
| REF NO. | PART NO. | DESCRIPTION                           |
|---------|----------|---------------------------------------|
| 1       | 1916719  | Cable Assembly, Reverse Clutch(B) (C) |
| 2       | 1916755  | Upper Handlebar                       |
| 3       | 1917479  | Bail, Forward Clutch                  |
| 4       | 1918745  | Cable Assembly, Forward Clutch        |
| 5       | 710-0599 | Screw, Self-Tapping, 1/4-20 x 1/2     |
| 6       | 710-3008 | Screw, Hex, 5/16-18 x 3/4             |
| 7       | 712-3009 | Hex Lock Nut, 5/16-18                 |
| 8       | GW-55042 | Handlebar Support                     |
| 9       | GW-55043 | Lower Handlebar                       |
| 10      | GW-55102 | Panel                                 |
| 11      | GW-55044 | Tab, Conduit Mount                    |
| 12      | GW-9855  | Screw, #10-24 x 2                     |
| 13      | 725-0157 | Cable Tie                             |
| 14      | 736-3050 | Flat Washer, 3/8                      |
| 15      | 1916674  | Bracket, Reverse Clutch Cable(B) (C)  |
| 16      | 1916712  | Spring, Forward Clutch                |
| 17      | 710-0106 | Hex Hd. Screw, 1/4-20 x 1-1/4         |
| 18      | 710-0216 | Screw, Hex, 3/8-16 x 3/4              |
| 20      | 710-0805 | Screw, Hex, 5/16-18 x 1-1/2           |
| 21      | 712-0121 | Hex Nut, #10-24                       |
| 22      | 712-0291 | Hex Lock Nut, 1/4-20                  |
| 23      | 712-3000 | Hex Nut, 3/8-16                       |
| 25      | 736-0119 | Lock Washer, 5/16                     |

| REF NO. | PART NO. | DESCRIPTION                    |
|---------|----------|--------------------------------|
| 1       | 1918749  | Bumper (C)                     |
| 2       | 710-3073 | Hex Screw, 5/16-18 x 2-1/4 (C) |
| 3       | 712-0267 | Nut, Hex, 5/16-18 (C)          |
| 4       | 736-0119 | Lock Washer, 5/16 (C)          |



(A) For Model 630C  
 (B) For Model 634F  
 (C) For Model 634B

MODELS 630C, 634F & 634B

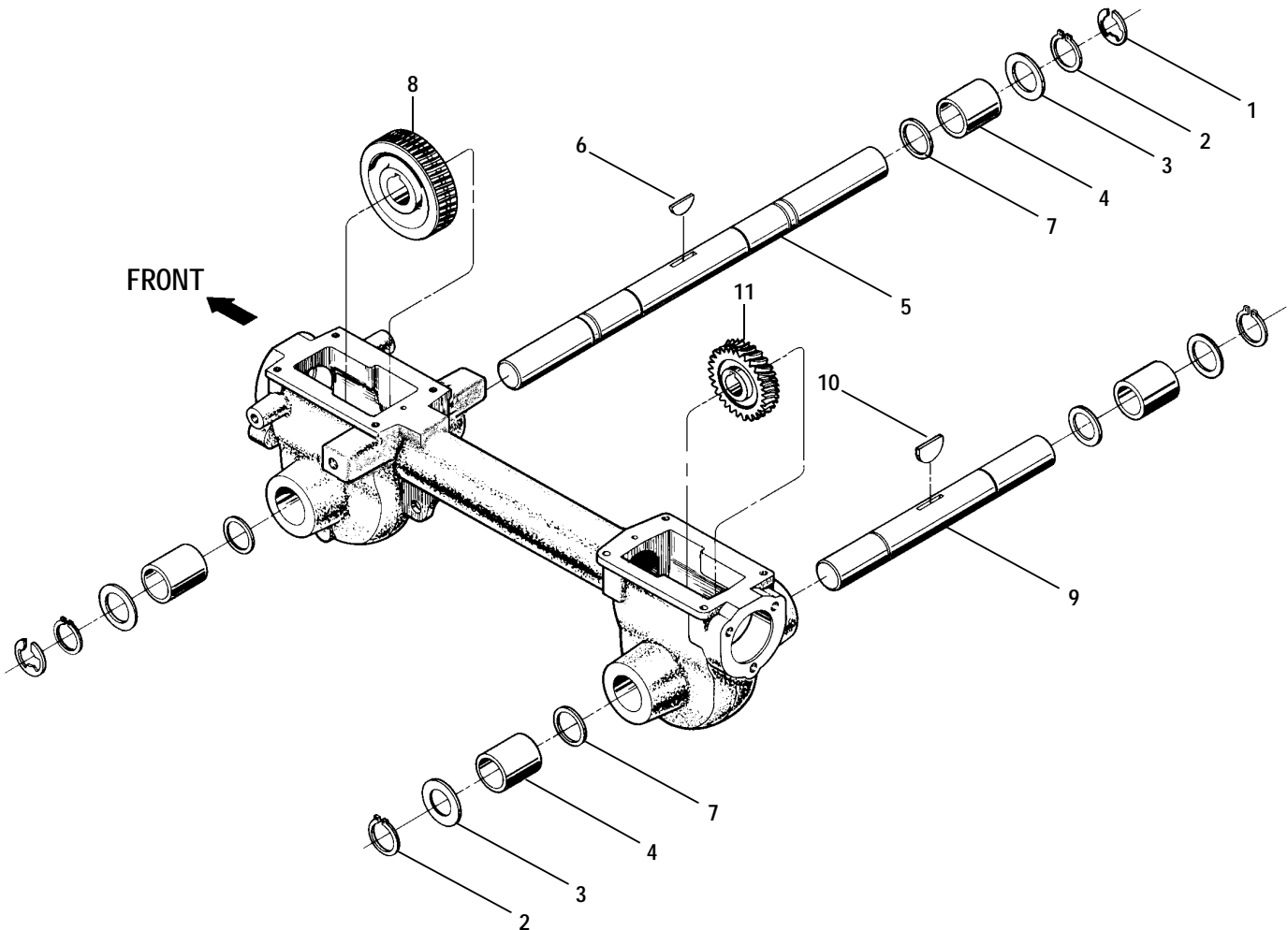


| REF NO. | PART NO.   | DESCRIPTION  |
|---------|------------|--|
| 1       | GW-9517    | Snap Ring  |
| 2       | GW-1714    | Bearing, Tapered Roller (with race)  |
| 3       | GW-50043   | Support Washer, Rear   |
| 4       | 711-04109  | Drive Shaft (A) (B) (C)  |
| 5       | GW-1224-1* | Shim, Rear Bearing Cap, .010" thick  |
|         | GW-1224-2* | Shim, same as above, except .030" thick  |
|         | GW-1224-3* | Shim, same as above, except .005" thick  |
|         | GW-1224-4* | Shim, same as above, except .062" thick  |
| —       | GW-1325C   | Shim Set (Incl. the following shims:<br>two #1224-1, two 1224-2 & one #1224-4) |

(A) For Model 630C  
 (B) For Model 634F  
 (C) For Model 634B

\* Use as required to obtain between .005" and .015" allowable end-play.

MODELS 630C, 634F & 634B

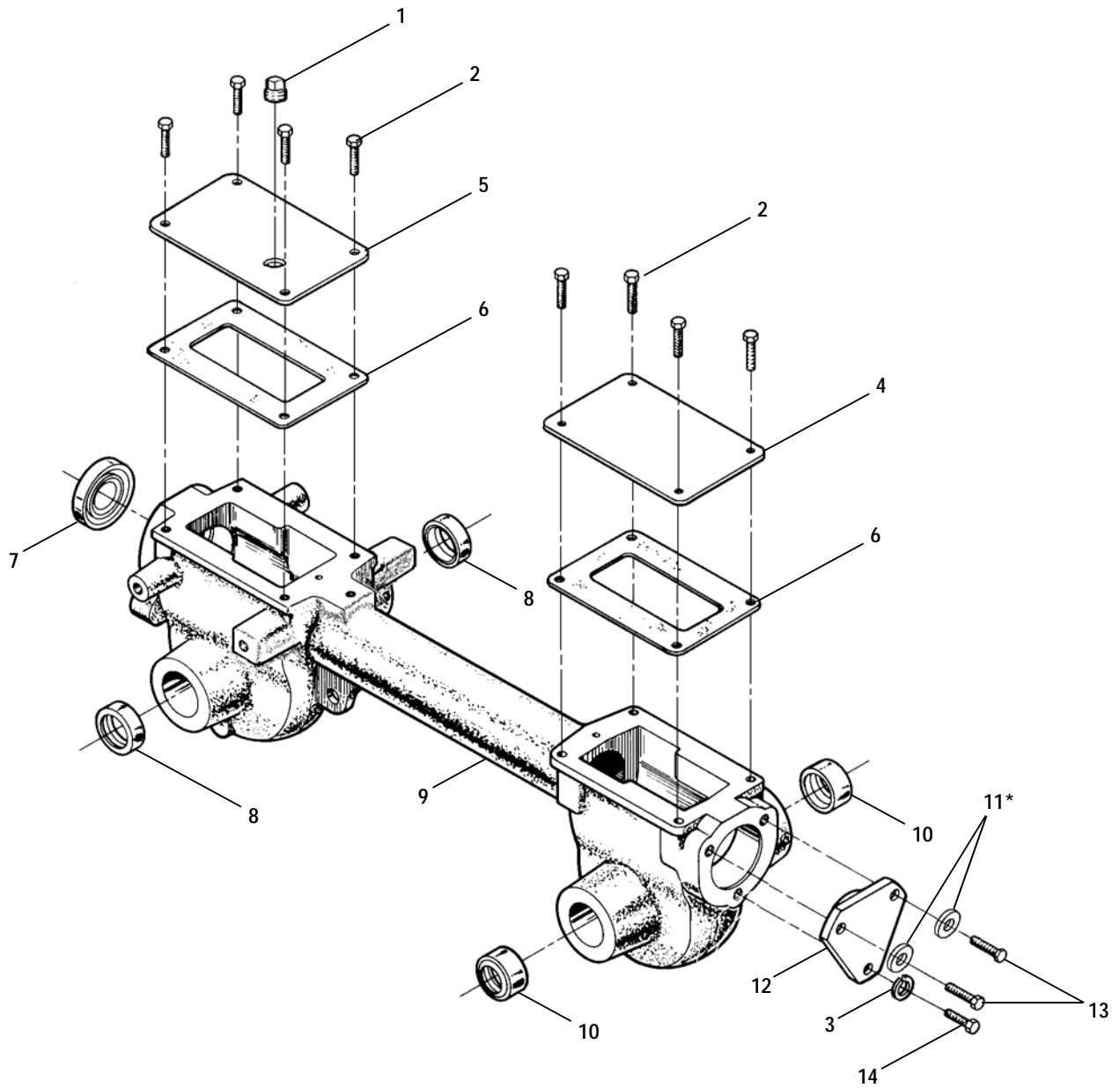


| REF NO. | PART NO.   | DESCRIPTION                   |
|---------|------------|-------------------------------|
| 1       | GW-9512    | Retainer, Snap Ring, "E" Type |
| 2       | 1909950    | Retainer, Snap Ring           |
| 3       | GW-1166-1* | Shim, 0.062" thick            |
|         | GW-1166-2* | Shim, 0.030" thick            |
|         | GW-1166-3* | Shim, 0.015" thick            |
|         | GW-1166-4* | Shim, 0.010" thick            |
|         | GW-1166-5* | Shim, 0.005" thick            |
| 4       | GW-1086    | Bronze Bushing                |
| 5       | 711-04092  | Wheel Shaft (B) (C)           |
|         | 711-04088  | Wheel Shaft (A)               |
| 6       | GW-9305    | Key, Hi-Pro, 1/4 x 1          |
| 7       | GW-1132-2  | Spacer                        |
| 8       | 1904278    | Worm Gear, Wheel Shaft        |
| 9       | 711-04078  | Tiller Shaft                  |
| 10      | GW-1104    | Woodruff Key                  |
| 11      | 1904279    | Worm Gear, Tiller Shaft       |

(A) For Model 630C  
 (B) For Model 634F  
 (C) For Model 634B

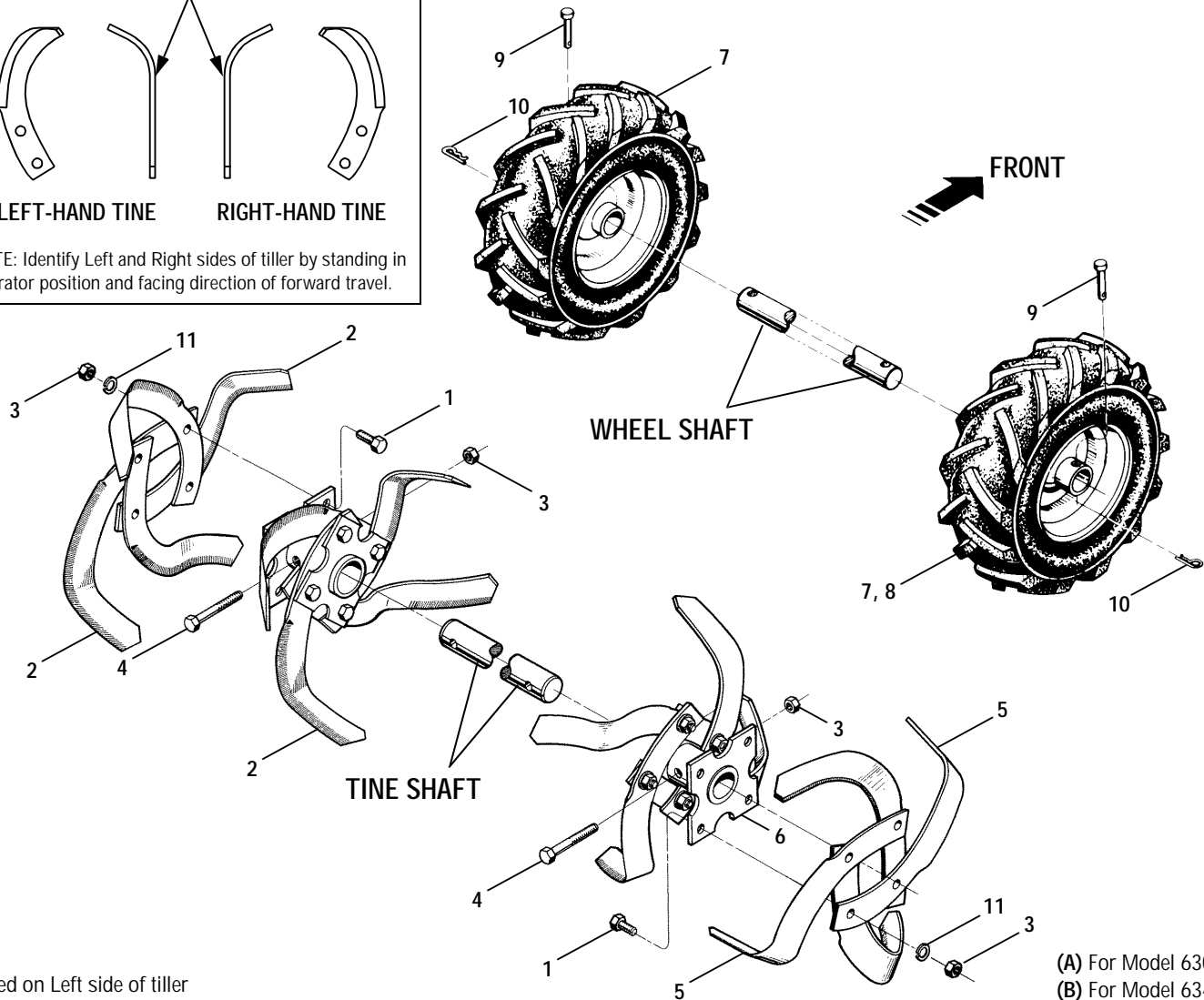
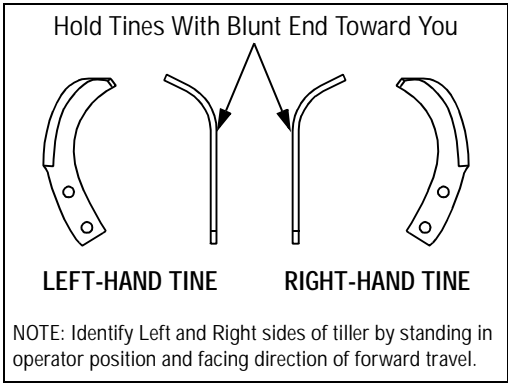
\* Use as required to obtain between .005" and .030" allowable end-play.

MODELS 630C, 634F & 634B



\* Included with transmission when purchased as an assembly only. Remove and discard when installing the transmission on tiller.

| REF NO. | PART NO.  | DESCRIPTION                                | REF NO. | PART NO.  | DESCRIPTION                         |
|---------|-----------|--|---------|-----------|-------------------------------------|
| 1       | GW-9727   | Plug, Transmission Oil Fill                | 8       | 721-04031 | Oil Seal, Wheel Shaft               |
| 2       | 710-04049 | Hex Hd. Flange Screw, 5/16-18 x 5/8, Gr. 5 | 9       | 619-04013 | Transmission Housing Assembly       |
| 3       | 736-0119  | Lock Washer, 5/16                          | 10      | 721-04036 | Oil Seal, Tine Shaft                |
| 4       | 1918377   | Rear Cover, Transmission                   | 11      | 736-3008* | Washer, Flat, .344 x .750 x .120    |
| 5       | 1916641   | Front Cover, Transmission                  | 12      | 714-04008 | Rear Bearing Cap                    |
| 6       | GW-50032  | Gasket, Housing Cover                      | 13      | 710-04048 | Hex Hd. Flange Screw, 5/16-18 x 1   |
| 7       | 714-04030 | Oil Seal, Drive Shaft                      | 14      | 710-3008  | Hex Hd. Flange Screw, 5/16-18 x 3/4 |

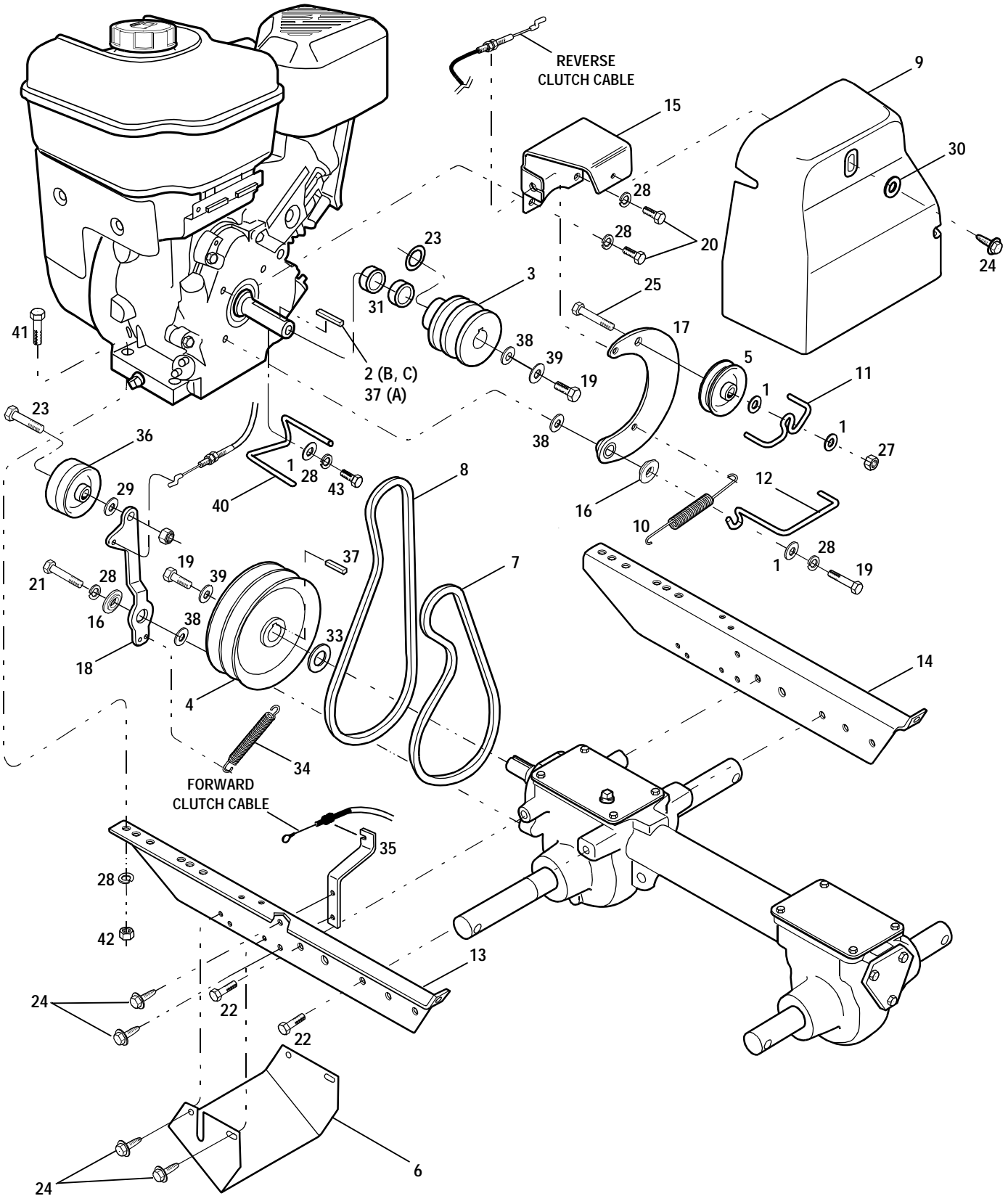


† Used on Left side of tiller  
‡ Used on Right side of tiller

(A) For Model 630C  
(B) For Model 634F  
(C) For Model 634B

| REF NO. | PART NO.    | DESCRIPTION                                | REF NO. | PART NO. | DESCRIPTION   |
|---------|-------------|--|---------|----------|---|
| 1       | 710-3005    | Hex Hd. Screw, 3/8-16 x 1-1/4, Grade 5     | 10      | GW-9338  | Hair Pin Cotter   |
| 2       | GW-50049-01 | Single Bolo Tine - Right Hand† (A) (B) (C) | 11      | 736-0169 | Lock Washer, 3/8 (B) (C)  |
| 3       | 712-3000    | Hex Lock Nut, 3/8-16                       | —       | GW-1901  | Bolo Tine Replacement Set (Incl. eight right-hand tines, eight left-hand tines and required hardware. (A) (B) (C) |
| 4       | 710-0347    | Hex Hd. Screw, 3/8-16 x 1-3/4              | —       | 642-0029 | Left Hand Tine Assembly‡ (Incl. one tine holder and eight tines, assembled) (B) (C)                               |
| 5       | GW-50049-02 | Single Bolo Tine - Left Hand‡ (A) (B) (C)  | —       | 642-0030 | Right Hand Tine Assembly† (Incl. one tine holder and eight tines, assembled) (B) (C)                              |
| 6       | 1916747     | Tine Holder (B) (C)                        | —       | 642-0031 | Left Hand Tine Assembly‡ (Incl. one tine holder and eight tines, assembled) (A)                                   |
|         | 1915075     | Tine Holder (A)                            | —       | 642-0032 | Right Hand Tine Assembly† (Incl. one tine holder and eight tines, assembled) (A)                                  |
| 7       | 1917486     | Wheel & Tire Ass'y — Left/Right Side(B)    |         |          |   |
|         | 1917487     | Wheel & Tire Ass'y — Left/Right Side (C)   |         |          |   |
|         | GW-55095-01 | Wheel & Tire Ass'y — Left Side Only (A)    |         |          |   |
| 8       | GW-55095-02 | Wheel & Tire Ass'y — Right Side Only (A)   |         |          |   |
| 9       | GW-9380     | Clevis Pin, .312" x 1-3/4"                 |         |          |   |

MODELS 630C, 634F & 634B





MODELS 630C, 634F & 634B

| REF NO. | PART NO.  | DESCRIPTION                        |
|---------|-----------|------------------------------------|
| 1       | 1107382   | Flat Washer, 5/16                  |
| 2       | 1108841   | Key, 3/16" x 1-1/2" (B) (C)        |
| 3       | 1916531   | Pulley, Engine Drive (B) (C)       |
|         | GW-55035  | Pulley, Engine Drive (A)           |
| 4       | 1916532   | Transmission Pulley (B) (C)        |
|         | GW-55031  | Transmission Pulley                |
| 5       | 1916535   | Pulley, Reverse Idler (B) (C)      |
| 6       | 1916652   | Guard, Belts/Pulleys               |
| 7       | 1916657   | Forward Drive Belt (B) (C)         |
|         | GW-55037  | Forward Drive Belt (A)             |
| 8       | 1916658   | Reverse Drive Belt (B) (C)         |
| 9       | 1916660   | Belt Cover                         |
| 10      | 1916724   | Reverse Return Spring (B) (C)      |
| 11      | 1916725   | Belt Guide(B) (C)                  |
| 12      | 1916726   | Forward Belt Guide (B) (C)         |
| 13      | 1916794   | Engine Bracket, Left               |
| 14      | 1916795   | Engine Bracket, Right              |
| 15      | 1917326   | Bracket, Belt Cover                |
| 16      | 1917746   | Shoulder Washer                    |
| 17      | 1918731   | Reverse Idler Arm (B)(C)           |
| 18      | 1918744   | Forward Idler Lever                |
| 19      | 710-0117  | Hex Hd. Screw, 5/16-24 x 1 (B) (C) |
| 20      | 710-0237  | Hex Hd. Screw, 5/16-24 x 5/8       |
| 21      | 710-0376  | Hex Hd. Screw, 5/16-18 x 1         |
| 22      | 710-04049 | Hex Hd. Screw, 5/16-18 x 5/8       |
| 23      | 710-0520  | Hex Hd. Screw, 3/8-16 x 1-1/2      |
| 24      | 710-0599  | Screw, Self-Tapping, 1/4-20 x 1/2  |
| 25      | 710-3103  | Hex Hd. Screw, 5/16-18 x 2 (B) (C) |
| 26      | 712-3000  | Lock Nut, 3/8-16                   |
| 27      | 712-3009  | Lock Nut, 5/16-18 (B) (C)          |
| 28      | 736-0119  | Lock Washer, 5/16                  |
| 29      | 736-3050  | Flat Washer, 3/8                   |
| 30      | 736-3090  | Flat Washer                        |
| 31      | GW-55036  | Spacer (A)                         |
| 32      | GW-1138-2 | Shim                               |
| 33      | GW-50027  | Support Washer                     |
| 34      | GW-55034  | Forward Return Spring              |
| 35      | GW-55049  | Bracket, Cable Mounting            |
| 36      | GW-9090   | Forward Idler Pulley               |
| 37      | GW-9301   | Key, 3/16" x 1"                    |
| 38      | GW-9929   | Flat Washer                        |
| 39      | GW-9944   | Belleville Washer                  |
| 40      | GW-55039  | Forward Belt Guide (A)             |
| 41      | 710-0805  | Hex Hd. Screw, 5/16-18 x 1-1/2 (A) |
| 42      | 712-3010  | Hex Nut, 5/16-18 (A)               |
| 43      | 710-0157  | Hex Hd. Screw, 5/16-24 x 3/4 (A)   |