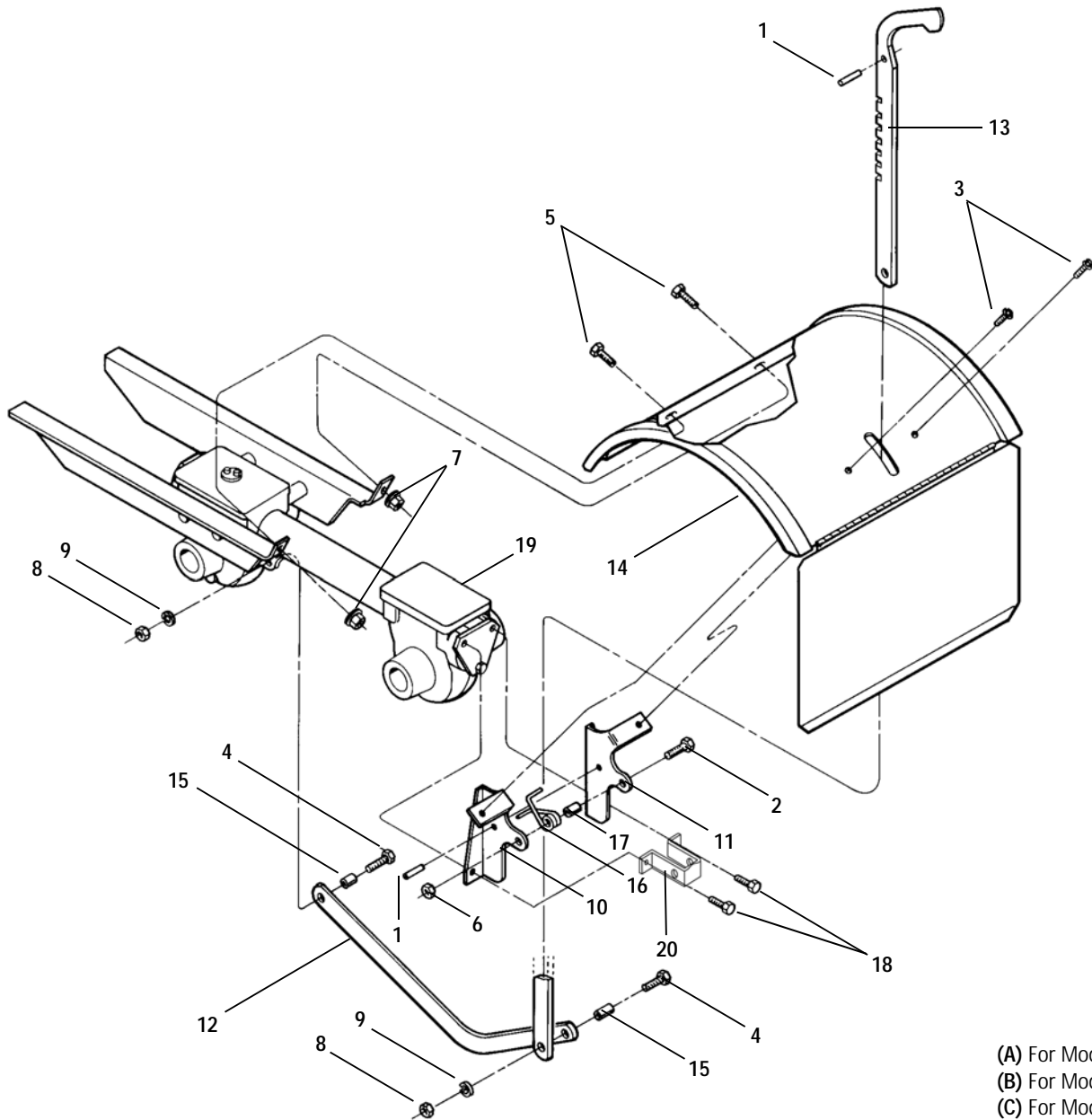


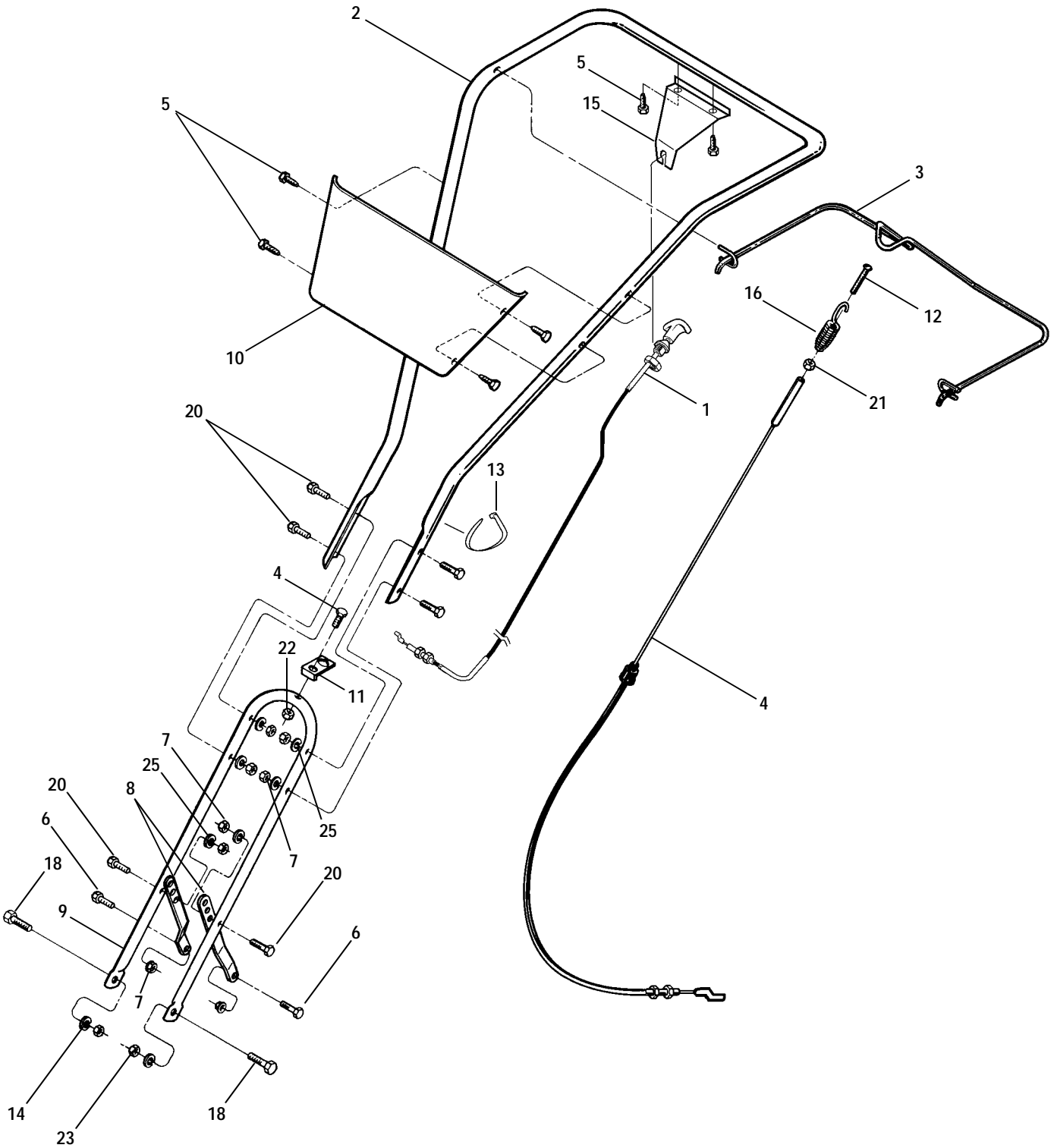
# MODELS 21A-630C, 21A-634F & 21A-634B PARTS LIST



(A) For Model 630C  
 (B) For Model 634F  
 (C) For Model 634B

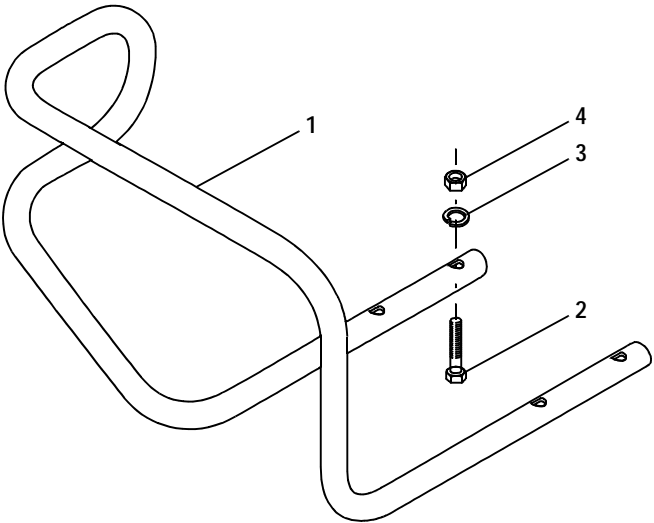
REF NO.	PART NO.	DESCRIPTION	REF NO.	PART NO.	DESCRIPTION
1	1185469	Spirol Pin	12	GW-55015	Drag Bar
2	710-0597	Hex Hd. Screw, 1/4-20 x 1	13	GW-55018	Depth Regulator Lever
3	710-0599	Screw, Self-Tapping, 1/4-20 x 1/2	14	1916623	Tine Hood Assembly (B) (C)
4	710-0874	Hex Hd. Screw, 5/16-18 x 1-1/4		GW-55024	Tine Hood Assembly (A)
5	710-3039	Hex Hd. Screw, 5/16-18 x 1/2	15	GW-55088	Bushing
6	712-0291	Hex Lock Nut, 1/4-20	16	GW-9384	Spring, Depth Regulator
7	712-3004A	Hex Flange Lock Nut, 5/16-18	17	GW-9534	Spacer
8	712-3009	Hex Nut, 5/16-18	18	710-04048	Hex Hd. Flange Screw, 5/16-18 x 1
9	736-0119	Lock Washer, 5/16	19	618-04000	Transmission Assembly (B) (C)
10	GW-55013-1	Hood Bracket, Left Hand		618-04001	Transmission Assembly (A)
11	GW-55013-2	Hood Bracket, Right Hand	20	1916569	Flap Stop Bracket

MODELS 630C, 634F & 634B



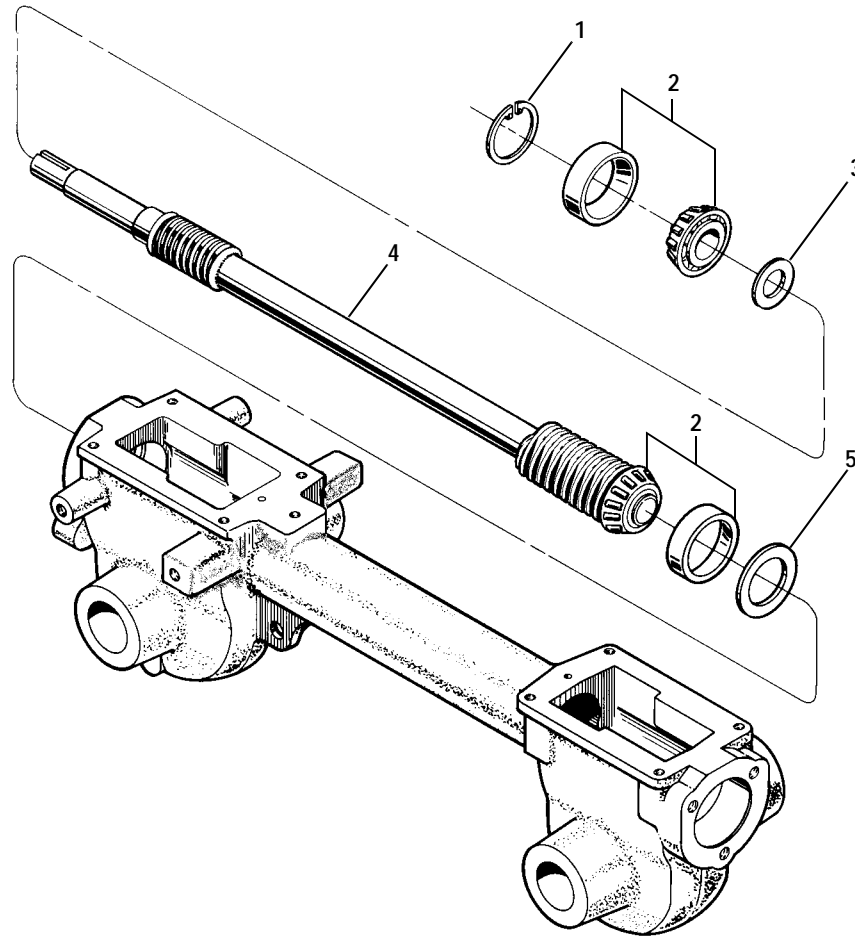
REF NO.	PART NO.	DESCRIPTION
1	1916719	Cable Assembly, Reverse Clutch(B) (C)
2	1916755	Upper Handlebar
3	1917479	Bail, Forward Clutch
4	1918745	Cable Assembly, Forward Clutch
5	710-0599	Screw, Self-Tapping, 1/4-20 x 1/2
6	710-3008	Screw, Hex, 5/16-18 x 3/4
7	712-3009	Hex Lock Nut, 5/16-18
8	GW-55042	Handlebar Support
9	GW-55043	Lower Handlebar
10	GW-55102	Panel
11	GW-55044	Tab, Conduit Mount
12	GW-9855	Screw, #10-24 x 2
13	725-0157	Cable Tie
14	736-3050	Flat Washer, 3/8
15	1916674	Bracket, Reverse Clutch Cable(B) (C)
16	1916712	Spring, Forward Clutch
17	710-0106	Hex Hd. Screw, 1/4-20 x 1-1/4
18	710-0216	Screw, Hex, 3/8-16 x 3/4
20	710-0805	Screw, Hex, 5/16-18 x 1-1/2
21	712-0121	Hex Nut, #10-24
22	712-0291	Hex Lock Nut, 1/4-20
23	712-3000	Hex Nut, 3/8-16
25	736-0119	Lock Washer, 5/16

REF NO.	PART NO.	DESCRIPTION
1	1918749	Bumper (C)
2	710-3073	Hex Screw, 5/16-18 x 2-1/4 (C)
3	712-0267	Nut, Hex, 5/16-18 (C)
4	736-0119	Lock Washer, 5/16 (C)



(A) For Model 630C  
 (B) For Model 634F  
 (C) For Model 634B

MODELS 630C, 634F & 634B

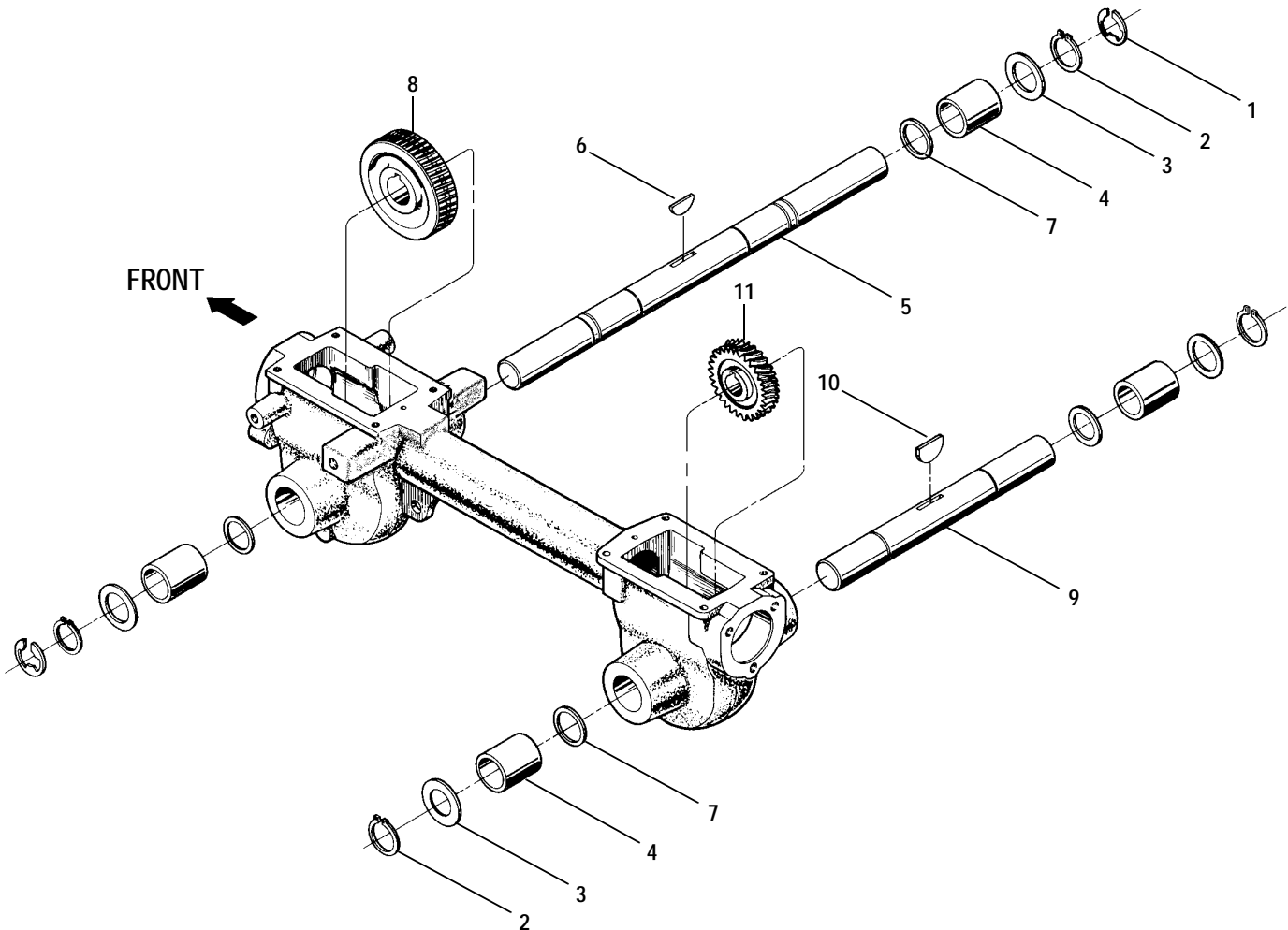


REF NO.	PART NO.	DESCRIPTION
1	GW-9517	Snap Ring
2	GW-1714	Bearing, Tapered Roller (with race)
3	GW-50043	Support Washer, Rear
4	711-04109	Drive Shaft (A) (B) (C)
5	GW-1224-1*	Shim, Rear Bearing Cap, .010" thick
	GW-1224-2*	Shim, same as above, except .030" thick
	GW-1224-3*	Shim, same as above, except .005" thick
	GW-1224-4*	Shim, same as above, except .062" thick
—	GW-1325C	Shim Set (Incl. the following shims: two #1224-1, two 1224-2 & one #1224-4)

(A) For Model 630C  
 (B) For Model 634F  
 (C) For Model 634B

\* Use as required to obtain between .005" and .015" allowable end-play.

MODELS 630C, 634F & 634B

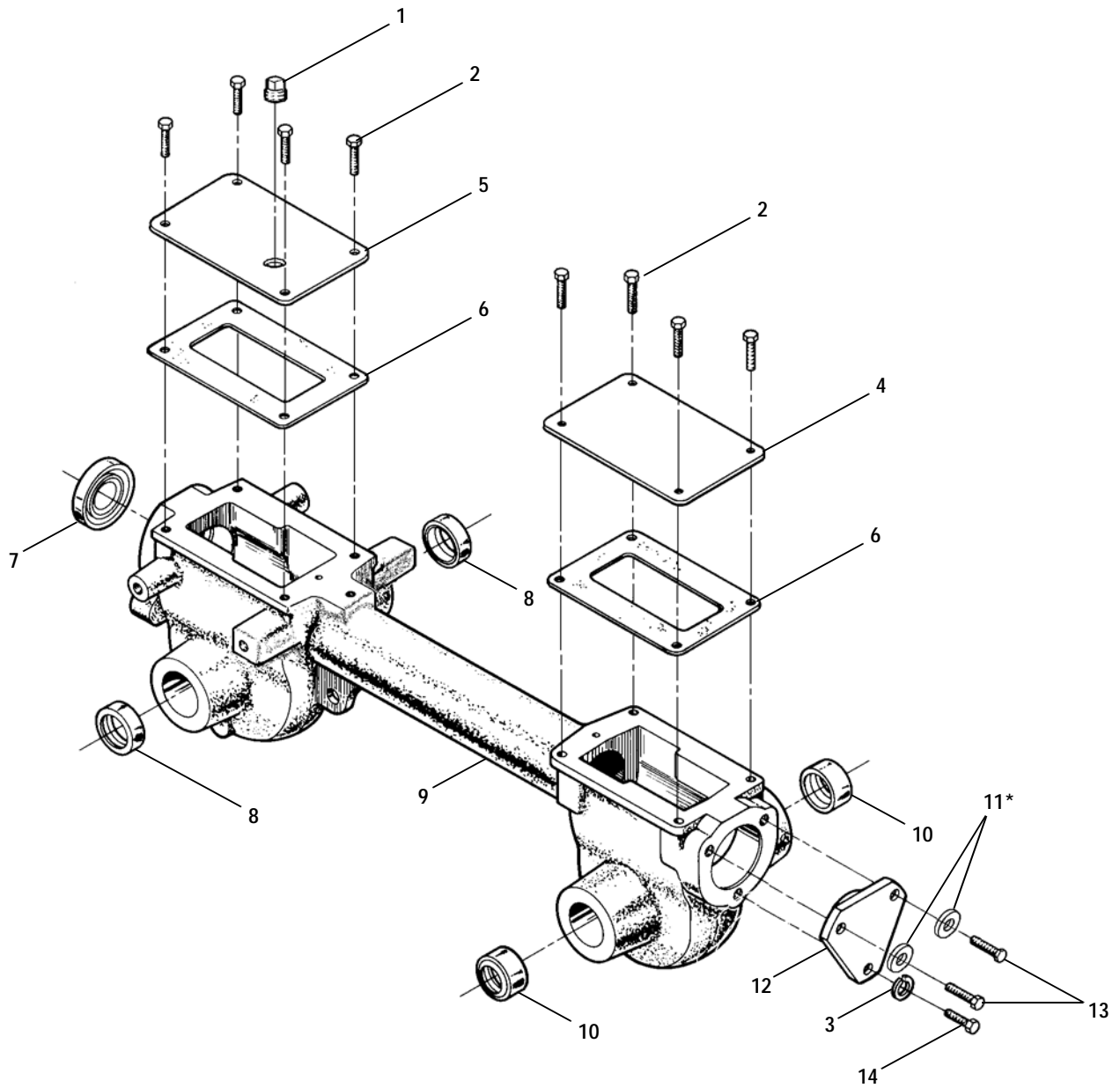


REF NO.	PART NO.	DESCRIPTION
1	GW-9512	Retainer, Snap Ring, "E" Type
2	1909950	Retainer, Snap Ring
3	GW-1166-1*	Shim, 0.062" thick
	GW-1166-2*	Shim, 0.030" thick
	GW-1166-3*	Shim, 0.015" thick
	GW-1166-4*	Shim, 0.010" thick
	GW-1166-5*	Shim, 0.005" thick
4	GW-1086	Bronze Bushing
5	711-04092	Wheel Shaft (B) (C)
	711-04088	Wheel Shaft (A)
6	GW-9305	Key, Hi-Pro, 1/4 x 1
7	GW-1132-2	Spacer
8	1904278	Worm Gear, Wheel Shaft
9	711-04078	Tiller Shaft
10	GW-1104	Woodruff Key
11	1904279	Worm Gear, Tiller Shaft

(A) For Model 630C  
 (B) For Model 634F  
 (C) For Model 634B

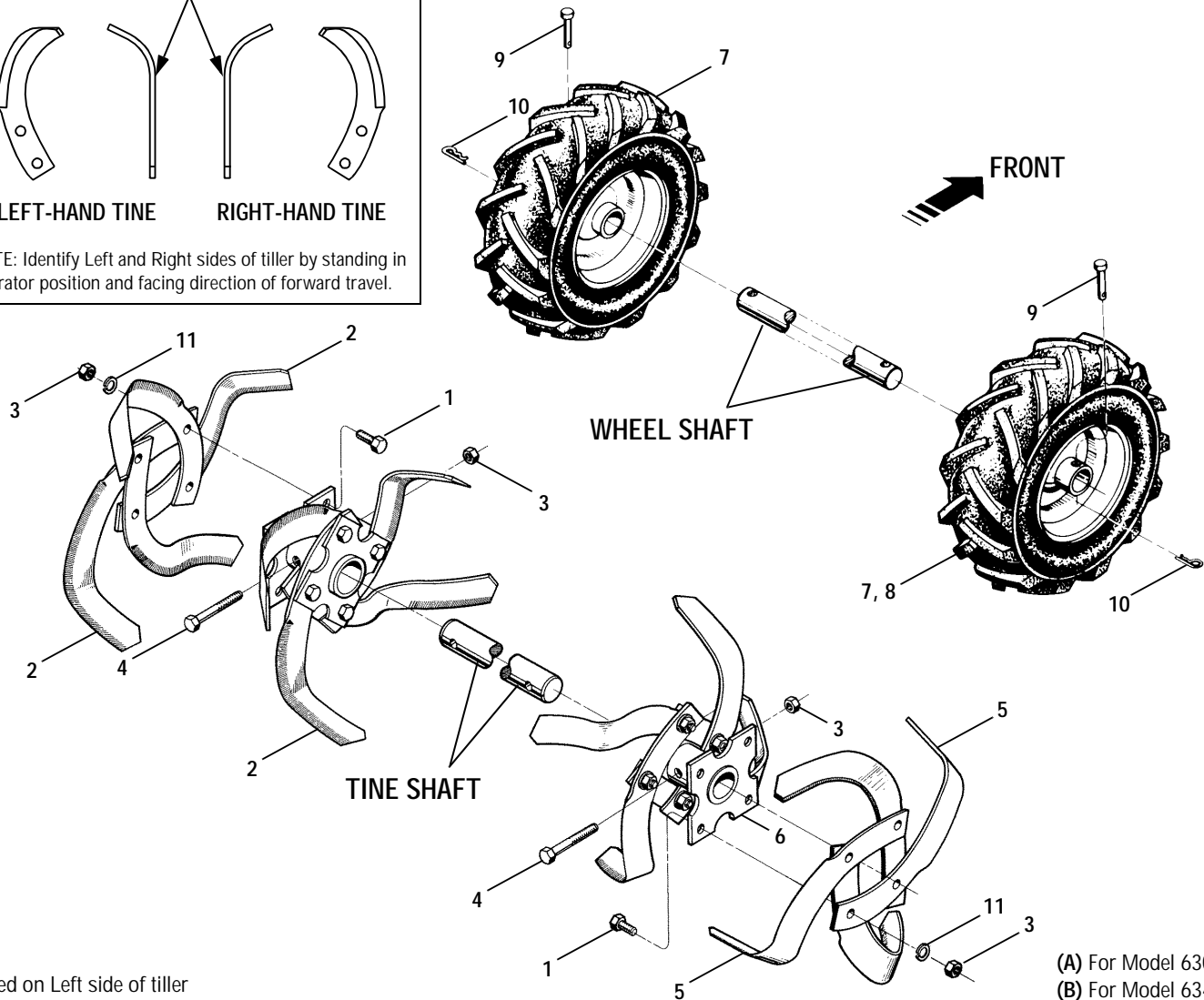
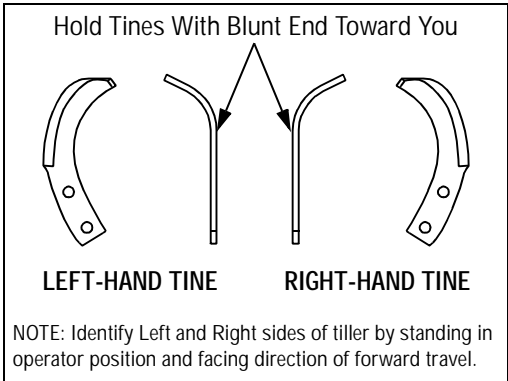
\* Use as required to obtain between .005" and .030" allowable end-play.

MODELS 630C, 634F & 634B



\* Included with transmission when purchased as an assembly only. Remove and discard when installing the transmission on tiller.

REF NO.	PART NO.	DESCRIPTION	REF NO.	PART NO.	DESCRIPTION
1	GW-9727	Plug, Transmission Oil Fill	8	721-04031	Oil Seal, Wheel Shaft
2	710-04049	Hex Hd. Flange Screw, 5/16-18 x 5/8, Gr. 5	9	619-04013	Transmission Housing Assembly
3	736-0119	Lock Washer, 5/16	10	721-04036	Oil Seal, Tine Shaft
4	1918377	Rear Cover, Transmission	11	736-3008*	Washer, Flat, .344 x .750 x .120
5	1916641	Front Cover, Transmission	12	714-04008	Rear Bearing Cap
6	GW-50032	Gasket, Housing Cover	13	710-04048	Hex Hd. Flange Screw, 5/16-18 x 1
7	714-04030	Oil Seal, Drive Shaft	14	710-3008	Hex Hd. Flange Screw, 5/16-18 x 3/4

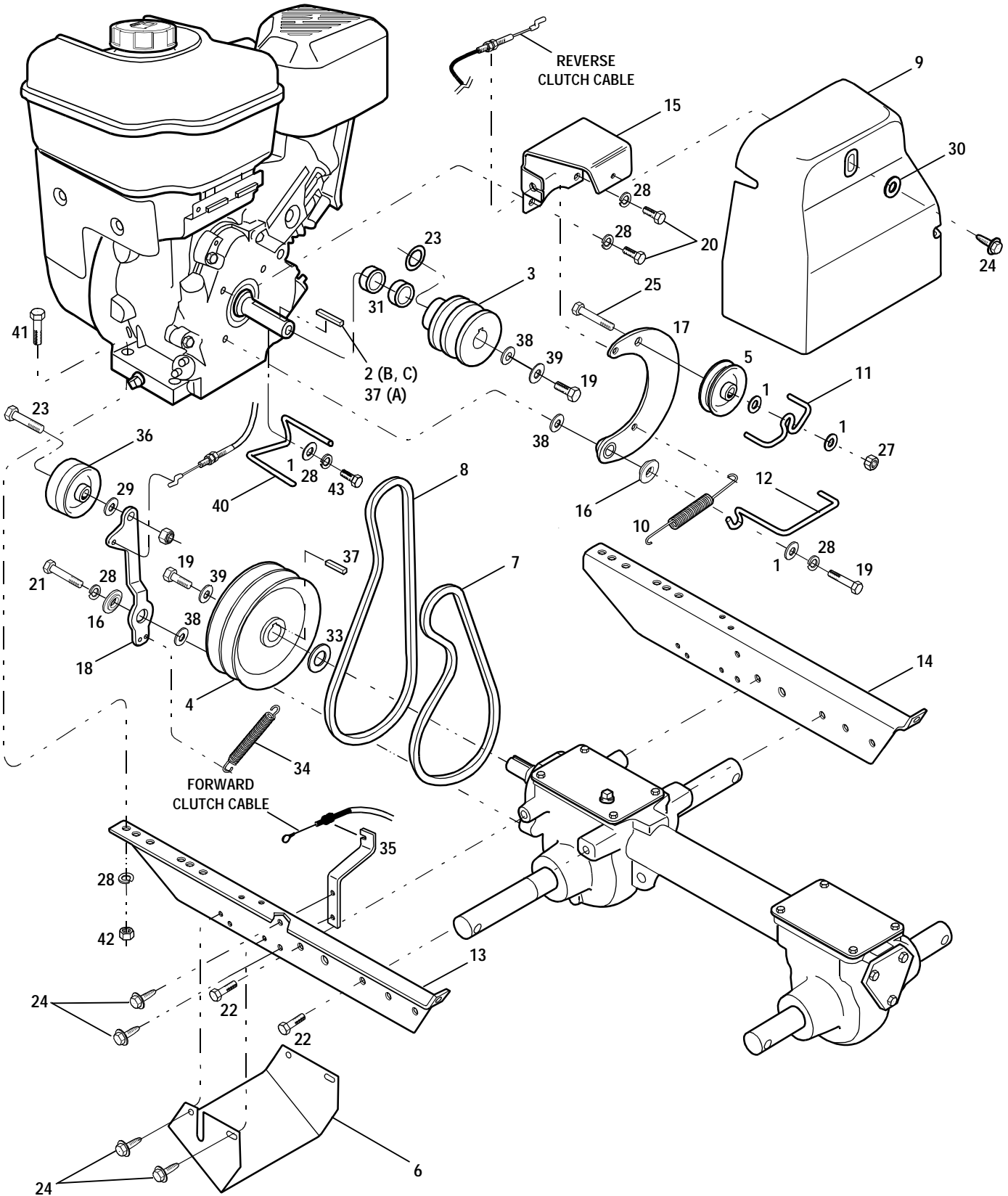


† Used on Left side of tiller  
‡ Used on Right side of tiller

(A) For Model 630C  
(B) For Model 634F  
(C) For Model 634B

REF NO.	PART NO.	DESCRIPTION	REF NO.	PART NO.	DESCRIPTION
1	710-3005	Hex Hd. Screw, 3/8-16 x 1-1/4, Grade 5	10	GW-9338	Hair Pin Cotter
2	GW-50049-01	Single Bolo Tine - Right Hand† (A) (B) (C)	11	736-0169	Lock Washer, 3/8 (B) (C)
3	712-3000	Hex Lock Nut, 3/8-16	—	GW-1901	Bolo Tine Replacement Set (Incl. eight right-hand tines, eight left-hand tines and required hardware. (A) (B) (C)
4	710-0347	Hex Hd. Screw, 3/8-16 x 1-3/4	—	642-0029	Left Hand Tine Assembly‡ (Incl. one tine holder and eight tines, assembled) (B) (C)
5	GW-50049-02	Single Bolo Tine - Left Hand‡ (A) (B) (C)	—	642-0030	Right Hand Tine Assembly† (Incl. one tine holder and eight tines, assembled) (B) (C)
6	1916747	Tine Holder (B) (C)	—	642-0031	Left Hand Tine Assembly‡ (Incl. one tine holder and eight tines, assembled) (A)
	1915075	Tine Holder (A)	—	642-0032	Right Hand Tine Assembly† (Incl. one tine holder and eight tines, assembled) (A)
7	1917486	Wheel & Tire Ass'y — Left/Right Side(B)			
	1917487	Wheel & Tire Ass'y — Left/Right Side (C)			
	GW-55095-01	Wheel & Tire Ass'y — Left Side Only (A)			
8	GW-55095-02	Wheel & Tire Ass'y — Right Side Only (A)			
9	GW-9380	Clevis Pin, .312" x 1-3/4"			

MODELS 630C, 634F & 634B





MODELS 630C, 634F & 634B

REF NO.	PART NO.	DESCRIPTION
1	1107382	Flat Washer, 5/16
2	1108841	Key, 3/16" x 1-1/2" (B) (C)
3	1916531	Pulley, Engine Drive (B) (C)
	GW-55035	Pulley, Engine Drive (A)
4	1916532	Transmission Pulley (B) (C)
	GW-55031	Transmission Pulley
5	1916535	Pulley, Reverse Idler (B) (C)
6	1916652	Guard, Belts/Pulleys
7	1916657	Forward Drive Belt (B) (C)
	GW-55037	Forward Drive Belt (A)
8	1916658	Reverse Drive Belt (B) (C)
9	1916660	Belt Cover
10	1916724	Reverse Return Spring (B) (C)
11	1916725	Belt Guide(B) (C)
12	1916726	Forward Belt Guide (B) (C)
13	1916794	Engine Bracket, Left
14	1916795	Engine Bracket, Right
15	1917326	Bracket, Belt Cover
16	1917746	Shoulder Washer
17	1918731	Reverse Idler Arm (B)(C)
18	1918744	Forward Idler Lever
19	710-0117	Hex Hd. Screw, 5/16-24 x 1 (B) (C)
20	710-0237	Hex Hd. Screw, 5/16-24 x 5/8
21	710-0376	Hex Hd. Screw, 5/16-18 x 1
22	710-04049	Hex Hd. Screw, 5/16-18 x 5/8
23	710-0520	Hex Hd. Screw, 3/8-16 x 1-1/2
24	710-0599	Screw, Self-Tapping, 1/4-20 x 1/2
25	710-3103	Hex Hd. Screw, 5/16-18 x 2 (B) (C)
26	712-3000	Lock Nut, 3/8-16
27	712-3009	Lock Nut, 5/16-18 (B) (C)
28	736-0119	Lock Washer, 5/16
29	736-3050	Flat Washer, 3/8
30	736-3090	Flat Washer
31	GW-55036	Spacer (A)
32	GW-1138-2	Shim
33	GW-50027	Support Washer
34	GW-55034	Forward Return Spring
35	GW-55049	Bracket, Cable Mounting
36	GW-9090	Forward Idler Pulley
37	GW-9301	Key, 3/16" x 1"
38	GW-9929	Flat Washer
39	GW-9944	Belleville Washer
40	GW-55039	Forward Belt Guide (A)
41	710-0805	Hex Hd. Screw, 5/16-18 x 1-1/2 (A)
42	712-3010	Hex Nut, 5/16-18 (A)
43	710-0157	Hex Hd. Screw, 5/16-24 x 3/4 (A)