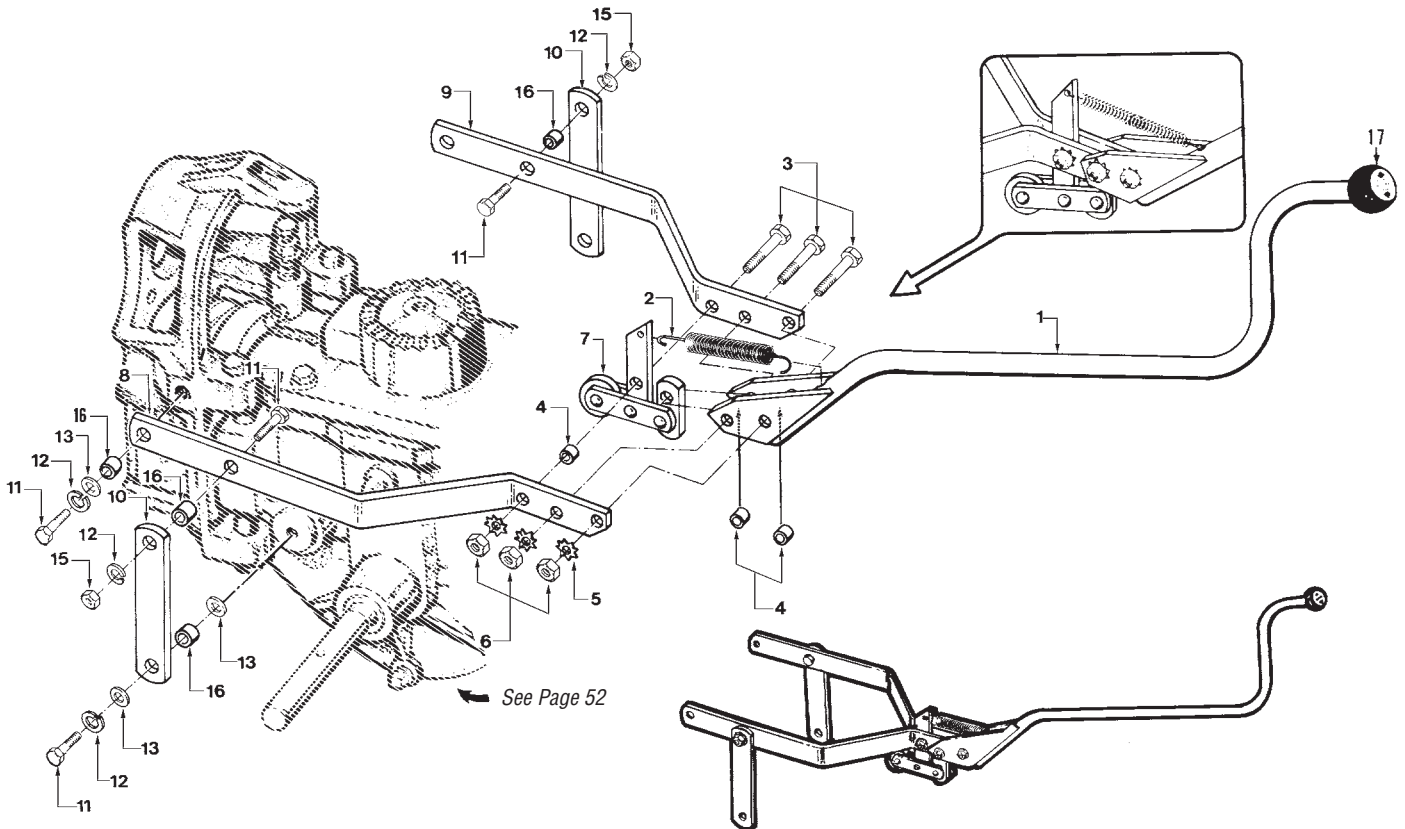


Parts List 682J &, E682L

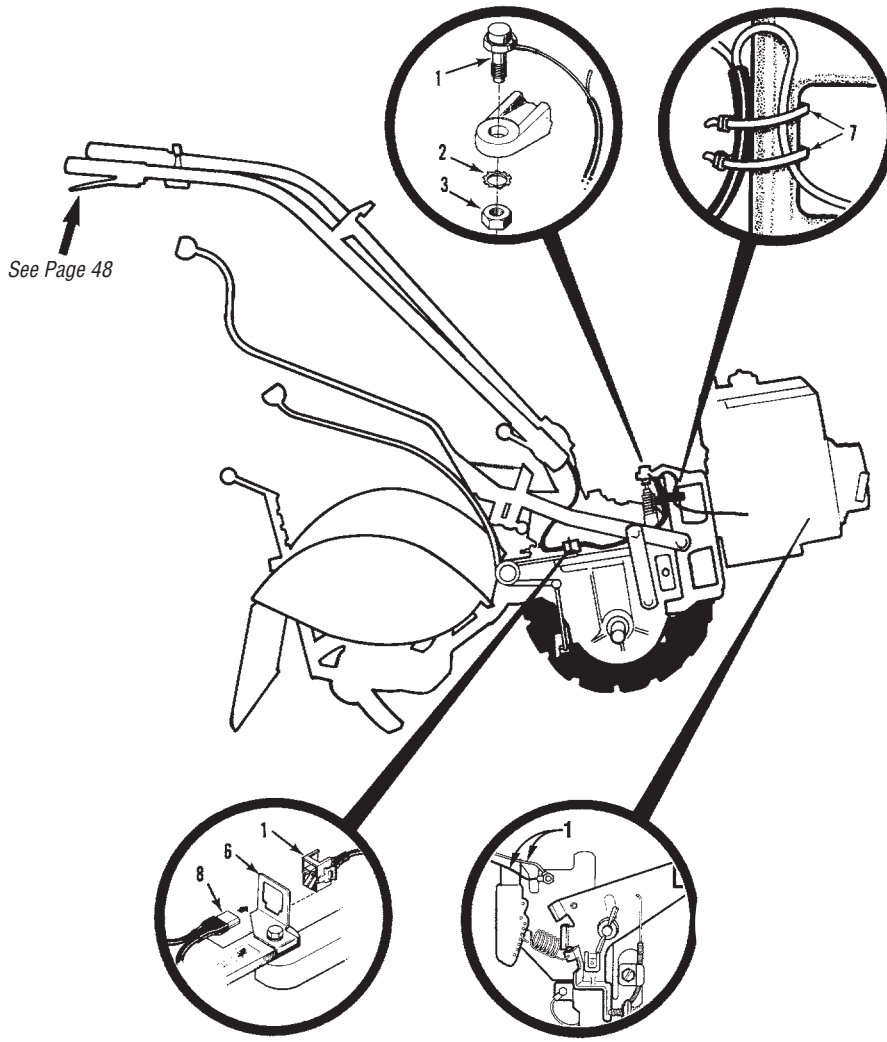
WHEELS/TINES/PTO DRIVE LEVER & YOKE ASSEMBLY



REF No.	PART No.	DESCRIPTION	QTY.
1	647-04006	Lever-Wheels/Tines/PTO Drive	1
2	1908156	Spring-clutch pawl.....	1
3	710-0805	Bolt-hex hd., 5/16-18 x 1-1/2".....	3
4	GW-2447	Bushing-3/8".....	3
5	1177548	Lockwasher-external tooth, 5/16"	3
6	712-0267	Nut-hex, 5/16"-18.....	3
7	1916265001	Roller Assembly	1
8	1900468010	Yoke-left side.....	1
9	1900469010	Yoke-right side.....	1

REF No.	PART No.	DESCRIPTION	QTY.
10	1900860010	Link-yoke pivot, left & right, 6-7/8" long	2
11	710-0514	Bolt-hex hd., 3/8-16 x 1"	6
12	736-0169	Lockwasher-spring lock, 3/8".....	6
13	736-3050	Washer-flat, 3/8", S.A.E.....	6
15	712-0798	Nut-hex, 3/8"-16.....	2
16	GW-1113-1	Bushing-spacer, 19/64" (.300").....	6
17	GW-2595	Knob.....	1

FORWARD INTERLOCK SYSTEM

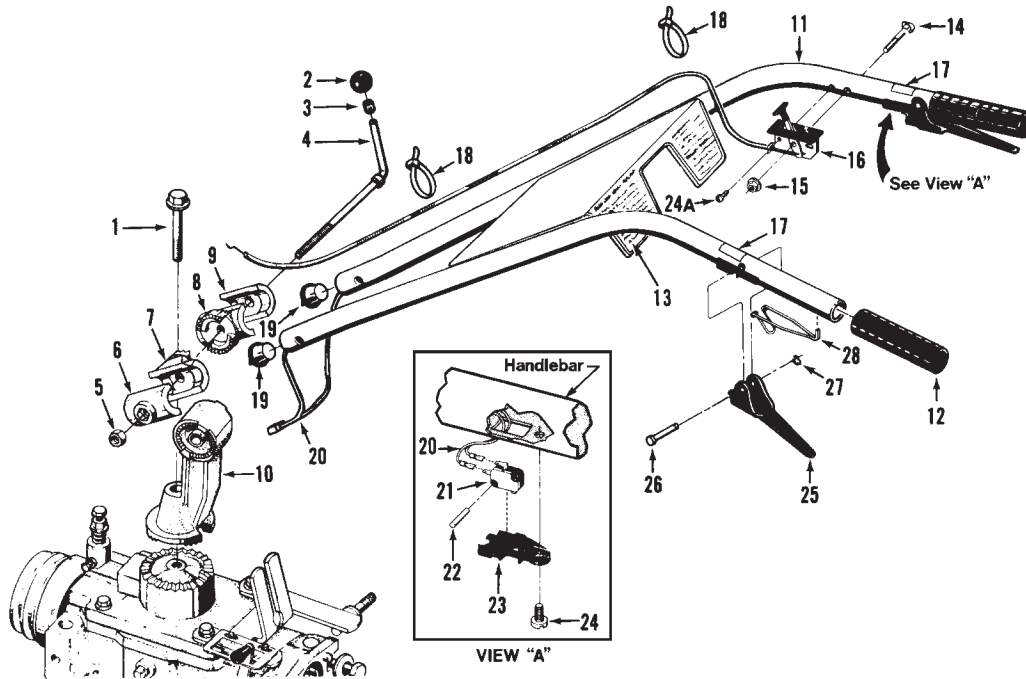


See Page 48

BRIGGS & STRATTON

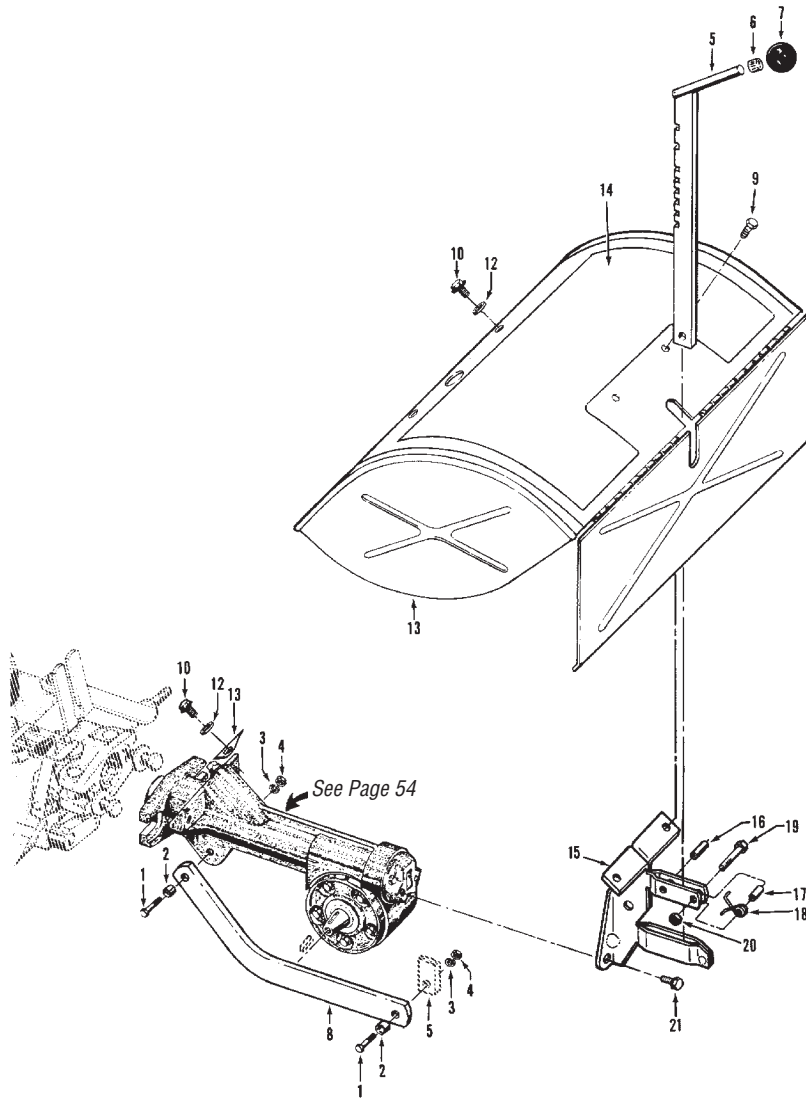
REF No.	PART No.	DESCRIPTION	QTY.	REF No.	PART No.	DESCRIPTION	QTY.
1	GW-2552	Engine Wire Harness Assy-forward interlock system (Incl. one red and one black wire, plug connector, neutral switch and PVC tubing. Parts not available separately.....	1	2	GW-9971	Lockwasher-external tooth, 7/16".....	1
				3	1186246	Nut-hex, 7/16"-20	1
				6	GW-9205	Clip-for plug connector	1
				7	725-0157	Tie-plastic	2
				8	GW-2551	Handlebar Wire Harness Assy-(see page 46, Ref. No. 20)	1

HANDLEBAR ASSEMBLY



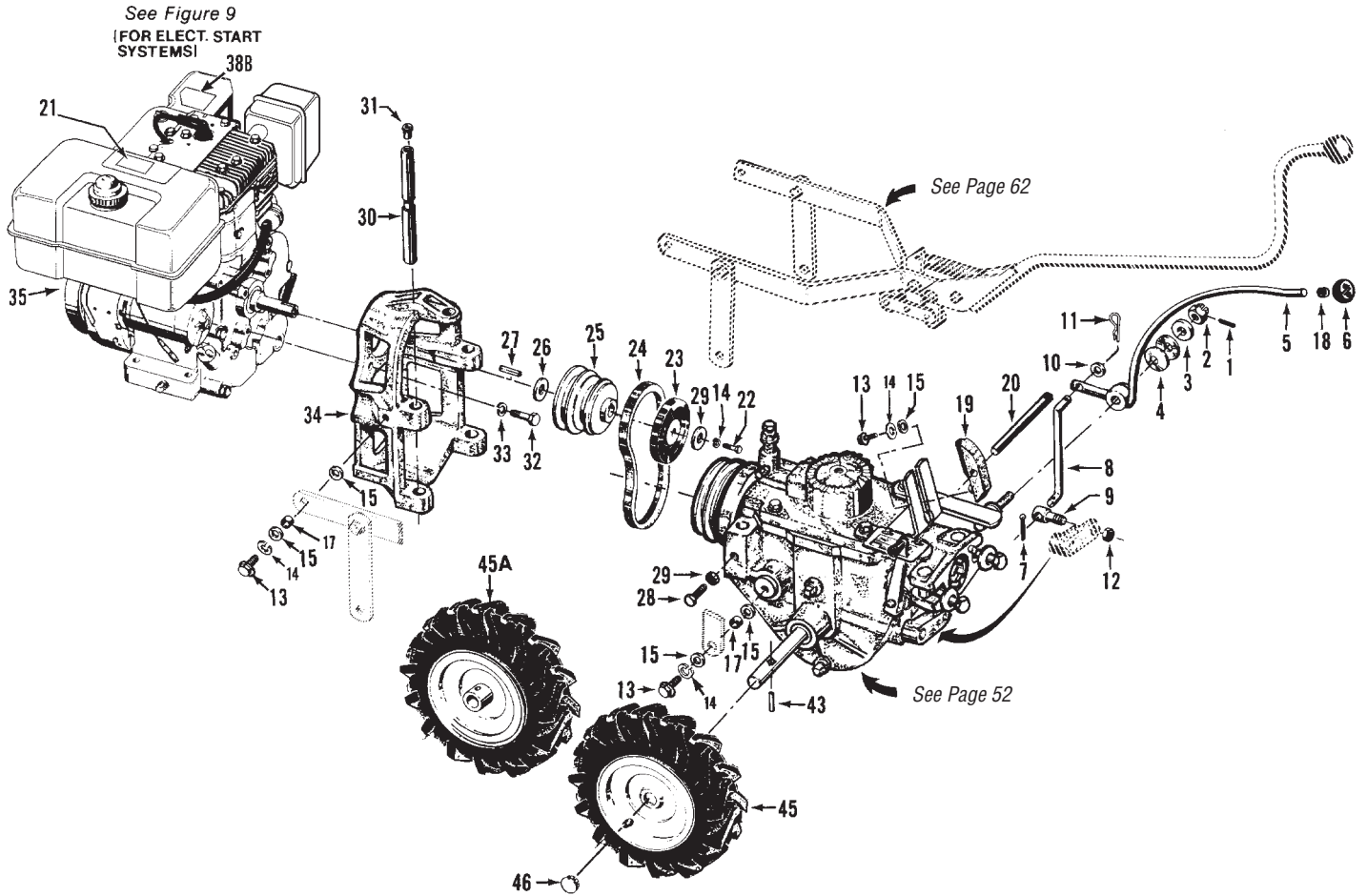
REF No.	PART No.	DESCRIPTION	QTY.	REF No.	PART No.	DESCRIPTION	QTY.
1	GW-9548	Bolt-Hex hd., flanged self-locking Grade 5, 1/2-13 x 3-1/2"	1	16	1909286	Throttle Control & Cable	1
2	GW-9119	Knob-handlebar height adjustment	1	17	777120946	Decal-Forward Interlock Lever	2
3	GW-9120	Ring-retaining (tolerance ring)	1	18	725-0157	Tie-plastic	2
4	GW-1881	Stud-handlebar height adjustment	1	19	GW-9219	Plug-wire harness retainer	2
5	1186233	Nut-hex, 1/2"-13	1	20	GW-2551	Handlebar Wire Harness Assy-forward interlock system	1
6	GW-1021-1	Clamp-left, handlebar height adjustment	1	21	GW-9250	Handlebar Switch-forward interlock system	2
7	GW-2542-1	Ratchet-left, handlebar height adjustment	1	22	GW-9385	Lock Pin-handlebar switch	2
8	GW-2542-2	Ratchet-right, handlebar height adjustment	1	23	GW-2543	Switch Housing-handlebar switch	2
9	1900855010	Clamp-right, handlebar height adjustment	1	—	N/S	Switch Assembly	1
10	GW-2534A	Base-handlebar mounting	1	24	1186009	Screw-pan head, 10-24 x 1/2", thread-forming	2
11	GW-2717010P	Handlebars	1	24A	GW-9733	Screw-phillips head, 10-32 x 1/2", thread-forming	1
12	GW-9125	Grip-handlebars	2	25	GW-2546	Lever-forward interlock	2
13	777120947	Decal-Control panel	1	26	GW-9199	Pivot Pin-forward interlock lever	2
	777122000	Decal-Control panel ("Big Red")	1	27	GW-9514	Retaining Ring-clip ring-forward interlock lever	2
14	GW-9547	Bolt-curved hd, GR5, 1/4-20 x 2"	1	28	GW-9387	Return Spring-fwd interlock lever	2
15	1186389	Nut-hex, flanged self-locking, whiz lock, 1/4"-20	1				

DEPTH REGULATOR & TINE HOOD ASSEMBLIES



REF No.	PART No.	DESCRIPTION	QTY.	REF No.	PART No.	DESCRIPTION	QTY.
1	710-3005	Bolt-hex hd., 3/8-16 x 1-1/4"	2	12	GW-9929	Washer-flat, 5/16"	2
2	GW-1113-1	Bushing-19/64" (.300" lg.)	2	13	1904563	Hood	1
3	736-0169	Lockwasher-spring lock, 3/8"	2	14	777S32000	Decal-hood, operating instructions.	1
4	712-0798	Nut-hex, 3/8"-16	2	15	GW-2527	Bracket	1
5	GW-1117A	Bar-depth regulator	1	16	1185469	Pin-roll (spiro) 1/4" x 1"	1
6	GW-9120	Ring-retaining	1	17	GW-9534	Spacer	1
7	GW-9119	Knob-depth regulator	1	18	GW-9384	Spring	1
8	GW-2121	Bar-drag, depth regulator	1	19	710-0597	Bolt-hex hd., 1/4-20x1"	1
9	GW-9552	Screw-thread-forming, 1/4-20 x 1/2"	2	20	1110106	Locknut-1/4"-20	1
10	1186329	Bolt-flanged hex hd., 5/16-18 x 3/4"	2	21	1186328	Bolt-flanged hex hd., 5/16-18 x 5/8"	2

WHEEL SPEED LEVER, BELT DRIVE SYSTEM, ENGINES, WHEELS



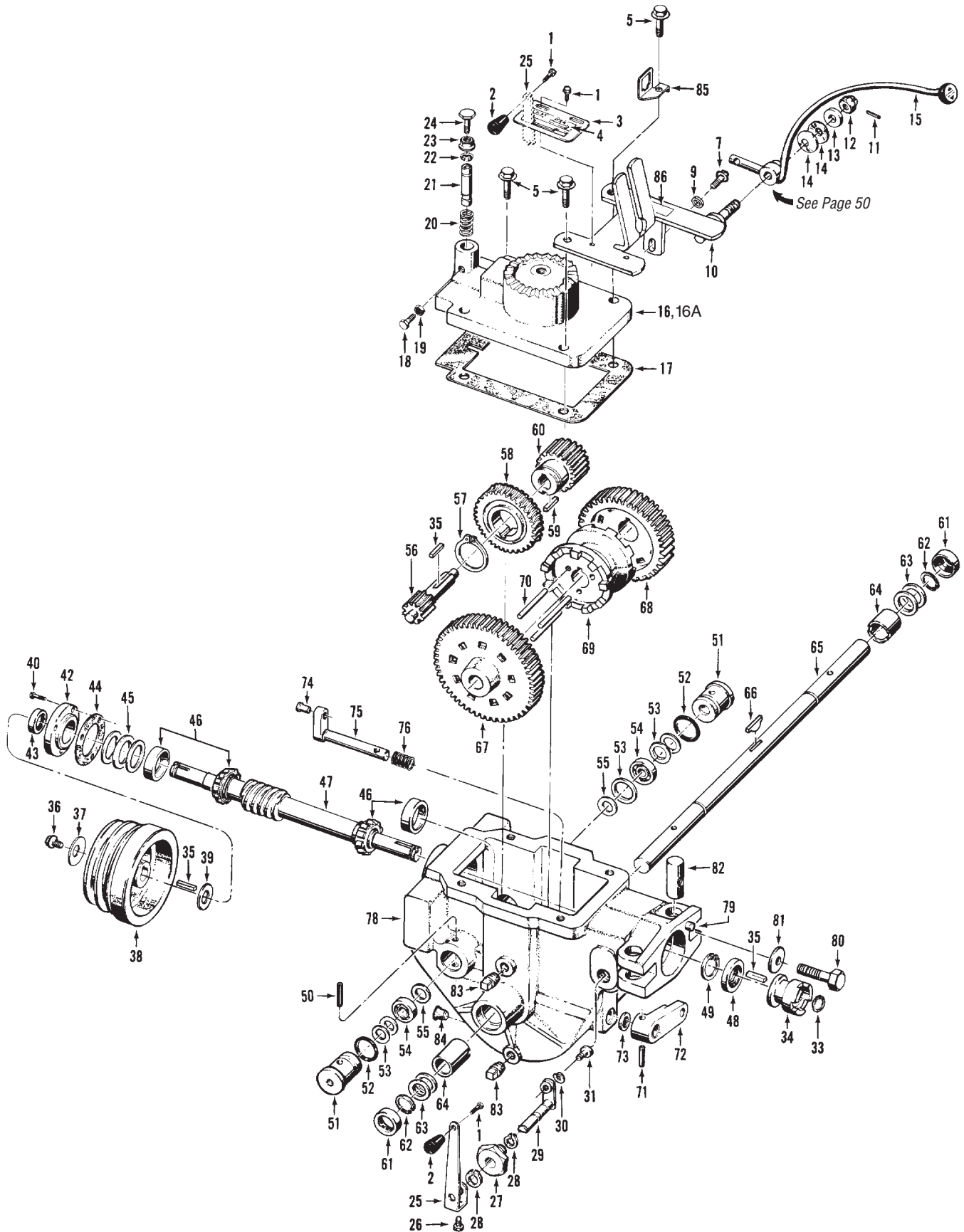
REF No.	PART No.	DESCRIPTION	QTY.	REF No.	PART No.	DESCRIPTION	QTY.
WHEEL SPEED LEVER				ENGINES AND ENGINE MOUNT			
1	GW-9362	Pin-spring, 1/8".....	1	28	710-0376	Bolt-hex hd., 5/16-18 x 1", Grade 5.....	2
2	GW-9838	Nut-castle (slotted), 1/2"-20	1	29	712-0267	Nut, hex, 5/16-18	1
3	GW-9934	Washer-shoulder, 1/2"	1	30	GW-1034A	Bar-engine mounting	2
4	GW-9932	Washer-disc spring	2	31	GW-9147	Plug-thread protector, red plastic....	2
5	GW-2628	Lever-wheel speed shift	1	32	GW-9572	Bolt-hex hd., 5/16-24 x 1-1/8"	4
6	1902240	Knob-wheel speed shift lever.....	1	33	736-0119	Lockwasher-spring lock, 5/16"	4
7	GW-9317	Pin-cotter, 3/32" x 1"	1	34	1916274001	Mount- engine to tiller	1
8	GW-1231	Rod-connecting rod, wheel speed shift lever	1	35	*	Briggs & Stratton Engine-Recoil or electric start. (Electric start requires key switch starting system.)	1
9	GW-1033	Swivel-connecting rod.....	1				
10	736-0275	Washer-flat, 5/16", S.A.E.	1	36	736-3052	Washer, flat, .406 x 1.0 x .105.....	1
11	GW-9338	Pin-hair cotter.....	1	38B	777S30647	Decal-hot surface warning (E682L).	1
12	712-0158	Locknut-hex hd., 5/16"-18	1		777S30650	Decal-hot surface warning (682J)	
13	710-0514	Bolt-flanged hex hd., 3/8-16 x 1"	5	WHEEL & TIRE ASSEMBLIES			
14	736-0169	Lockwasher-spring lock, 3/8"	5	43	1915072	Pin- roll, 5/16" x 1-1/2"	2
15	736-3050	Washer-flat, 3/8", S.A.E.	8	45	1915056	**Wheel & Tire Assy- bar tread, left side, 4:80 x 8" tubeless tire with valve stem, on one-piece steel wheel.	1
17	GW-1113-1	Bushing-spacer, 19/64" (.300"lg.)....	4	45A	1915057	**Wheel & Tire Assy-bar tread, right side. Same as above but for right side of tiller.....	1
18	GW-9120	Ring-retaining (tolerance ring)	1	46	1902020	Cap-wheel hub	2
BELT DRIVE SYSTEM							
19	GW-1920	Block- belt adjustment, 3-7/8"	1				
20	GW-2100	Rod- belt adjust., 7" with measuring gauge	1				
21	777120942	Decal- engine stabilization	1				
22	1100012	Bolt-hex hd., 3/8-24 x 1-1/2"	1				
23	GW-2111	Disc-reverse	1				
24	GW-9245	Belt-forward drive (no substitute due to extra strength required)	1				
25	GW-1483	Pulley-engine power take off	1				
26	GW-1138-1	Shim-engine pulley, 1/16" As Req'd					
26	GW-1138-2	Shim-as above, 1/32" As Req'd					
27	GW-9303	Key-engine pulley, 3/16"sq. x 2-1/2" 1					

* Contact an authorized engine dealer, Troy-Bilt dealer or the Factory for replacement engine information.

Contact an authorized engine dealer for engine service or parts. Refer to the engine name-plate for engine model and type information.

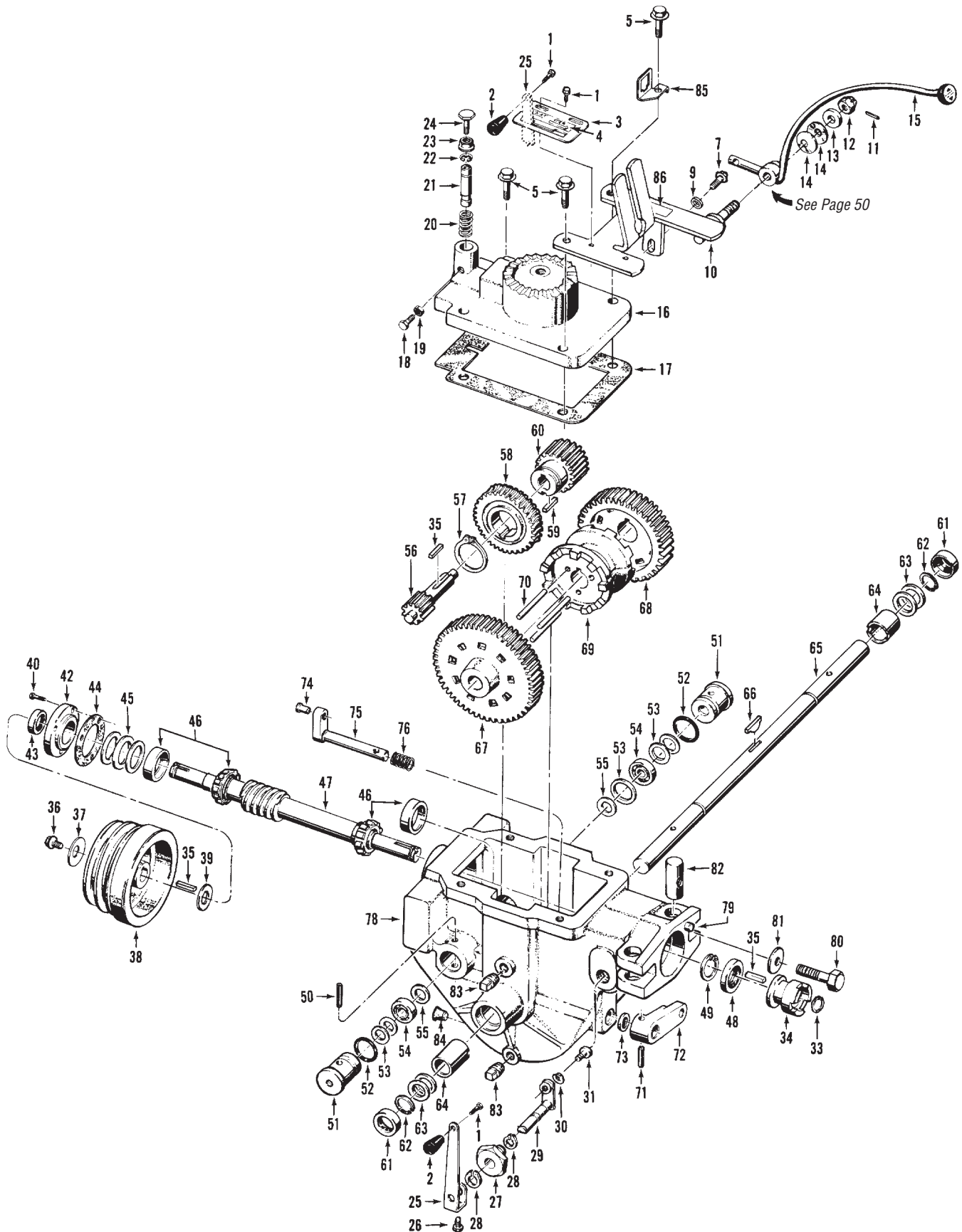
** For correct traction and directional control, Bar Tread Tires should be mounted on the tiller so the closed end of the "V" in the tire tread on top of the tire faces forward.

POWER UNIT TRANSMISSION ASSEMBLIES



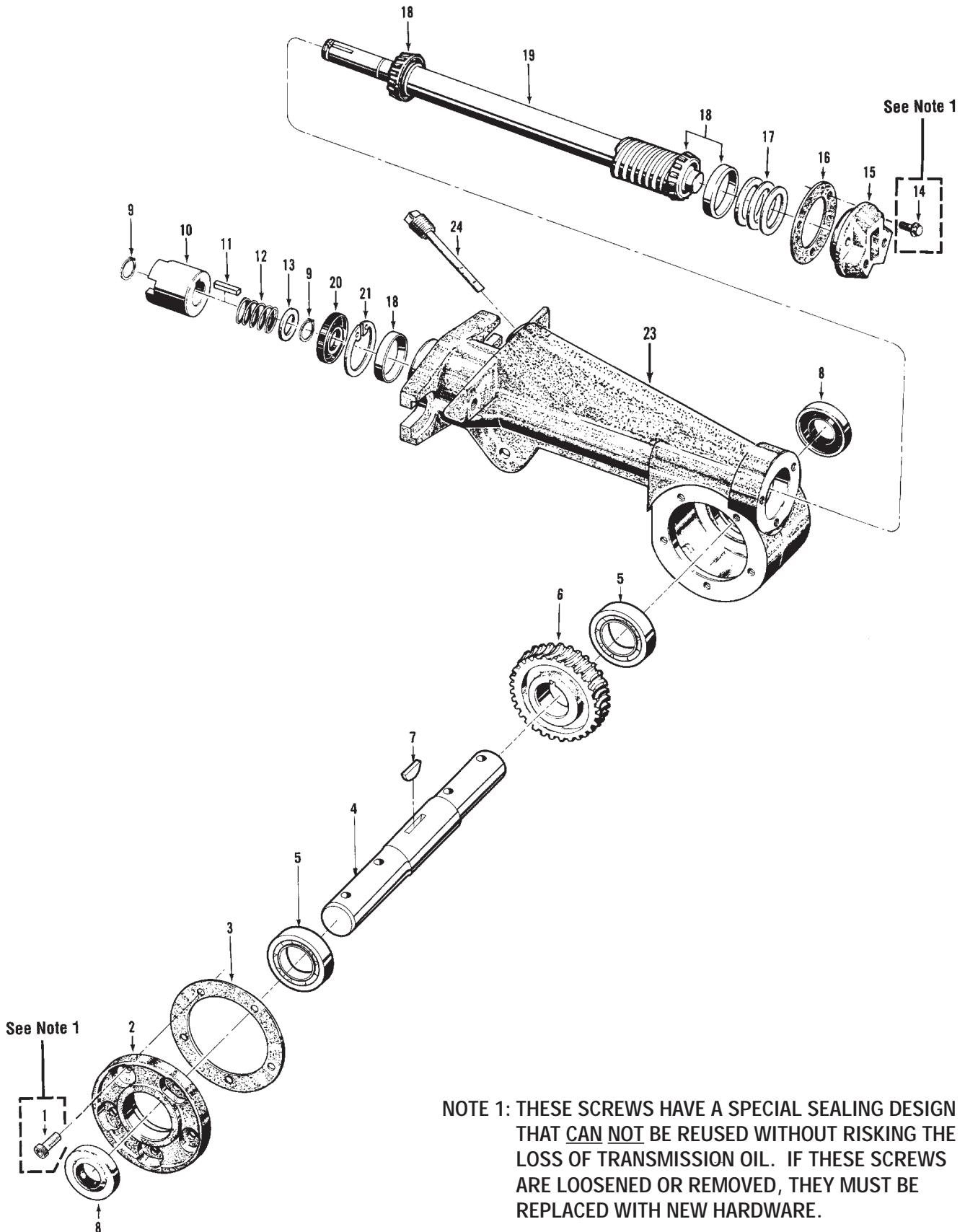
REF No.	PART No.	DESCRIPTION	QTY.	REF No.	PART No.	DESCRIPTION	QTY.
TRANSMISSION COVER & SHIFT LEVER BRACKET ASSEMBLIES				35	GW-9301	Key-3/16 sq. x 1"	3
1	1186299	Bolt-hex hd., #10-32 x 3/8", self-locking flange	3	36	1100004	Bolt-hex hd., 5/16-24 x 3/4", self-locking flange, Grade 5	1
2	GW-9463	Knob-tines/PTO clutch lever, tapered, plastic	1	37	GW-9944	Washer-disc spring (concave).....	1
3	GW-2263	Detent Plate-tines/PTO clutch lever	1	38	GW-2107	Pulley-transmission drive, cast iron	1
4	777120945	Decal-operating instructions, detent plate.....	1	39	GW-50027	Washer-flat, hardened shoulder 1-1/4".....	1
5	1186349	Bolt-flanged hex hd., 3/8-16 x 1-1/2"	4	40	1186310	Bolt-hex hd., 1/4-20 x 3/4", front bearing cap.....	3
7	1186329	Bolt-flanged hex hd., 5/16-18 x 3/4", Grade 5	1	42	GW-2424	Cap-front bearing	1
9	736-0275	Washer-flat, 5/16", S.A.E.	1	43	1983632	Seal-oil, front bearing cap	1
10	GW-2149	Bracket-shift levers.....	1	44	GW-1124-2	Gasket-front bearing cap	1
11	GW-9362	Pin-spring, 1/8"	1	45	GW-1224-1	Shim-front bearing cap, .010" thick	As Req'd
12	GW-9838	Nut-castle (slotted), 1/2"-20, call Tech Service for tightening instructions.	1	45	GW-1224-2	Shim-as above, .030".....	As Req'd
13	GW-9934	Washer-shoulder, 1/2"	1	45	GW-1224-3	Shim-as above, .005".....	As Req'd
14	GW-9932	Washer-disc spring	2	45	GW-1224-4	Shim-as above, .062".....	As Req'd
15	GW-2628	Lever-wheel speed shift.....	1	46	GW-1714	Bearing & Race (incl. one bearing GW-9400 and one cup (race) GW-9401) ...	2
16	GW-2523	Cover-power unit transmission ...	1	47	GW-2655	Shaft-main drive, power unit	1
17	GW-1123	Gasket-transmission cover	1	48	GW-9617	Seal-oil, drive shaft, rear	1
18	710-0376	Bolt-hex hd., 5/16-18 x 1", Grade 5, (remove with care)	1	49	GW-9517	Retaining Ring-(snap ring), internal.....	1
19	712-0267	Nut-hex, 5/16"-18	1	PINION SHAFT ASSEMBLY			
20	1901439	Spring-neutral plunger (remove with care).....	1	50	715-0121	Pin-roll (spiral), 1/4 x 2"	2
21	GW-1035	Plunger-neutral (remove with care)	1	51	GW-1060A	Plug-retaining, pinion bearing	2
22	1901440	Clip Ring-retains neutral plunger..	1	52	GW-9604	O-Ring-retaining plug.....	2
23	1186393	Nut-hex, flange locknut, 3/8"-16...	1	53	GW-1132-1	Shim-retaining plug, 1-1/64" inner dia., .033" thick (on right side only one GW-1132-1 shim is also used between bearing and washer, Ref. No.'s 54 & 55).....	As Req'd
24	1902004	Bolt-hex hd., 3/8-16x1-1/2", threaded full length.....	1	53	GW-1132-2	Shim-same as GW-1132-1, .062".	As Req'd
TINES/PTO CLUTCH LEVER ASSEMBLY				53	GW-1132-3	Shim-same as GW-1132-1, .010"	As Req'd
25	1900878001	Lever-eccentric, tines/PTO clutch.	1	54	GW-9404	Bearing-ball, pinion shaft	2
26	1100804	Bolt-hex hd., 1/4-20 x 1/2"	1	55	GW-1126	Washer-pinion shaft	2
27	GW-2123	Bushing-tines/PTO clutch lever eccentric shaft	1	56	GW-1222	Stem Pinion-slow speed gear & shaft	1
28	GW-9516	Retaining Ring-(snap ring), external.....	2	57	GW-9502	Ring-retaining, external	1
29	GW-2461	Eccentric-shaft, tines/PTO clutch lever.....	1	58	GW-2656	Worm Gear-bronze, wheel drive...	1
30	GW-9911	Lockwasher-hi-collar, 1/4".....	1	59	GW-9300	Key-3/16" x 5/8"	1
31	GW-9672	Screw-socket hd., 1/4-20 x 3/8" ...	1	60	GW-1233	Gear-fast speed pinion	1
DRIVE SHAFT ASSEMBLY				(continued on page 55)			
33	716-0101	Retaining Ring-external	1				
34	1909139	Dog Clutch-power unit	1				

POWER UNIT TRANSMISSION ASSEMBLIES
(Continued from page 53)



REF No.	PART No.	DESCRIPTION	QTY.	REF No.	PART No.	DESCRIPTION	QTY.
(continued from page 53)							
WHEEL SHAFT ASSEMBLY							
61	GW-9621	Seal-oil, wheel shaft	2	75	GW-2712	Eccentric Shaft-wheel speed shifting	1
62	1909950	Retaining ring-external	2	76	GW-1441	Spring-eccentric shaft	1
63	GW-1166-1	Shim-wheel shaft, 1-1/64" inner dia., .062" thick.....	As Req'd	TRANSMISSION HOUSING			
63	GW-1166-2	Shim-as above, .030" thick	As Req'd	78	GW-2260	Housing-power unit transmission (Empty housing without covers, shafts, gears, seals, etc.)	1
63	GW-1166-3	Shim-as above, .015" thick	As Req'd	79	GW-9359	Pin-alignment.....	1
63	GW-1166-4	Shim-as above, .010" thick	As Req'd	MISCELLANEOUS PARTS			
63	GW-1166-5	Shim-same as above, .005" thick	As Req'd	80	1100067	Bolt-hex hd., 1/2-13 x 2" Grade 5 .	2
64	GW-1086	Bushing-bronze, wheel shaft bearing	2	81	GW-9928	Washer-disc spring (concave), domed side faces bolt head	2
65	GW-1878	Shaft-wheel, 15-5/8".....	1	82	GW-2126	Post-with threaded hole for Ref. No. 80.....	2
66	GW-9357	Key-Hi Pro, 1/4" x 1-3/4".....	1	83	1105620	Plug-pipe, 1/4".....	2
67	GW-1223	Gear-slow speed, wheel drive.....	1	84	GW-9122	Plug-red plastic, thread protector.	1
68	GW-1232	Gear-fast speed, wheel drive	1	85	GW-9205	Clip-forward interlock system plug connector (see page 47).....	1
69	GW-1237	Dog Clutch-wheel drive	1	86	777120944	Decal-forward interlock wire harness.....	1
70	GW-1112	Pin-clutch guide, 1/4" diameter	3	TRANSMISSION ASSEMBLY			
ECCENTRIC SHAFT ASSEMBLY				—	618-04004	Transmission -power unit (Does NOT include Ref. 35-39. Does NOT include Shift Lever and Bracket Assemblies, Ref. 3, 4, 10, 15, 85, 86, etc.)	1
71	1911372	Pin-roll, 3/16" x 1-1/4" (spirol)	1				
72	1900880010	Lever-eccentric, wheel speed shifting	1				
73	GW-9622	Seal-oil, eccentric shaft	1				
74	GW-1442	Pin-eccentric shaft, wheel speed shifting	1				

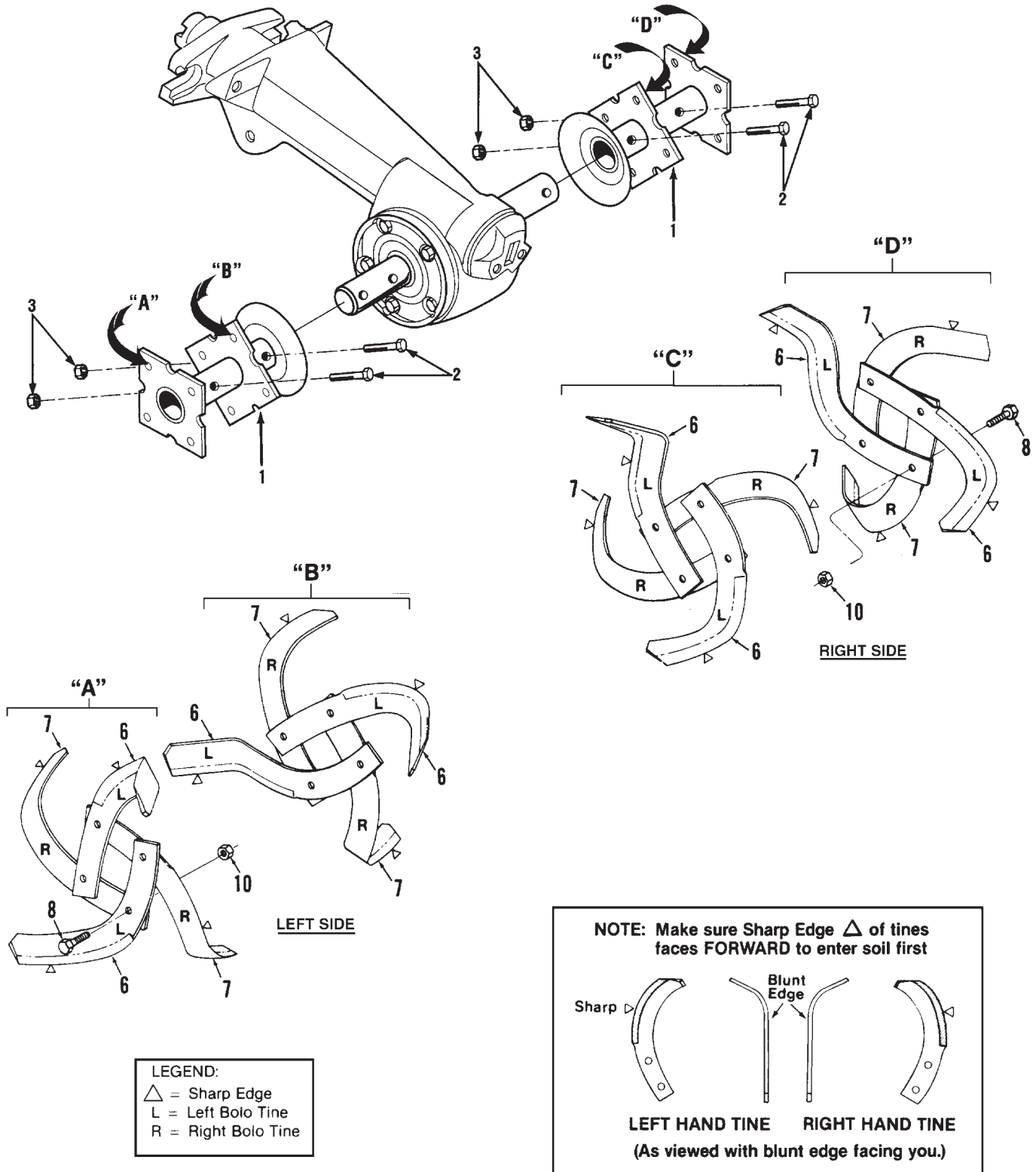
TILLER ATTACHMENT TRANSMISSION ASSEMBLIES



NOTE 1: THESE SCREWS HAVE A SPECIAL SEALING DESIGN THAT CAN NOT BE REUSED WITHOUT RISKING THE LOSS OF TRANSMISSION OIL. IF THESE SCREWS ARE LOOSENED OR REMOVED, THEY MUST BE REPLACED WITH NEW HARDWARE.

REF No.	PART No.	DESCRIPTION	QTY.	REF No.	PART No.	DESCRIPTION	QTY.
1	1915068	Screw-self-sealing, 1/4"-20 x 5/8"	5	17	GW-1224-2	Shim-same as above, .030" thick.....	As Req'd
2	GW-20873	Cover-tiller housing	1	17	GW-1224-3	Shim-same as above, .005" thick.....	As Req'd
3	GW-1129-1	Gasket-tiller housing cover, .010" thick.....	As Req'd	17	GW-1224-4	Shim-same as above, .062" thick.....	As Req'd
3	GW-1129-2	Gasket-same as above, .030" thick.....	As Req'd	18	GW-1714	Bearing & Race	2
4	1901972	Shaft-tiller tine.....	1			(incl. one bearing GW-9400 and one cup (race) GW-9401)	
5	741-3037	Ball Bearing.....	2	19	GW-2653	Shaft-main tiller drive	1
6	1901976	Worm Gear-bronze, tiller tine shaft	1	20	GW-9617	Seal-oil, drive shaft, front	1
7	GW-1104	Key-tiller tine shaft, woodruff key.	1	21	GW-9517	Retaining Ring-internal.....	1
8	GW-97073	Seal-oil, tiller tine shaft.....	2				
TILLER DRIVE SHAFT ASSEMBLY				TRANSMISSION HOUSING AND DIPSTICK			
9	716-0101	Retaining Ring-external	2	23	1902000	Housing-tiller attachment (Empty housing without shafts, gears, seals, dipstick, etc.)	1
10	1909138	Dog Clutch-tiller drive shaft.....	1	24	1909157	Dipstick-oil, tiller attachment.....	1
11	GW-9301	Key-3/16" x 1"	1	TRANSMISSION ASSEMBLY			
12	GW-2127	Spring-dog clutch.....	1	—	618-04003	Transmission -Tiller (Includes Ref. 1-24)	1
13	GW-1138-1	Shim-dog clutch, 1/16"(.62") thick..	1				
14	1915069	Screw-self-sealing, 1/4"-20 x 7/8"	3				
15	GW-1115	Cap-rear bearing.....	1				
16	GW-1124-2	Gasket-rear bearing cap	1				
17	GW-1224-1	Shim-front bearing cap, .010" thick.....	As Req'd				

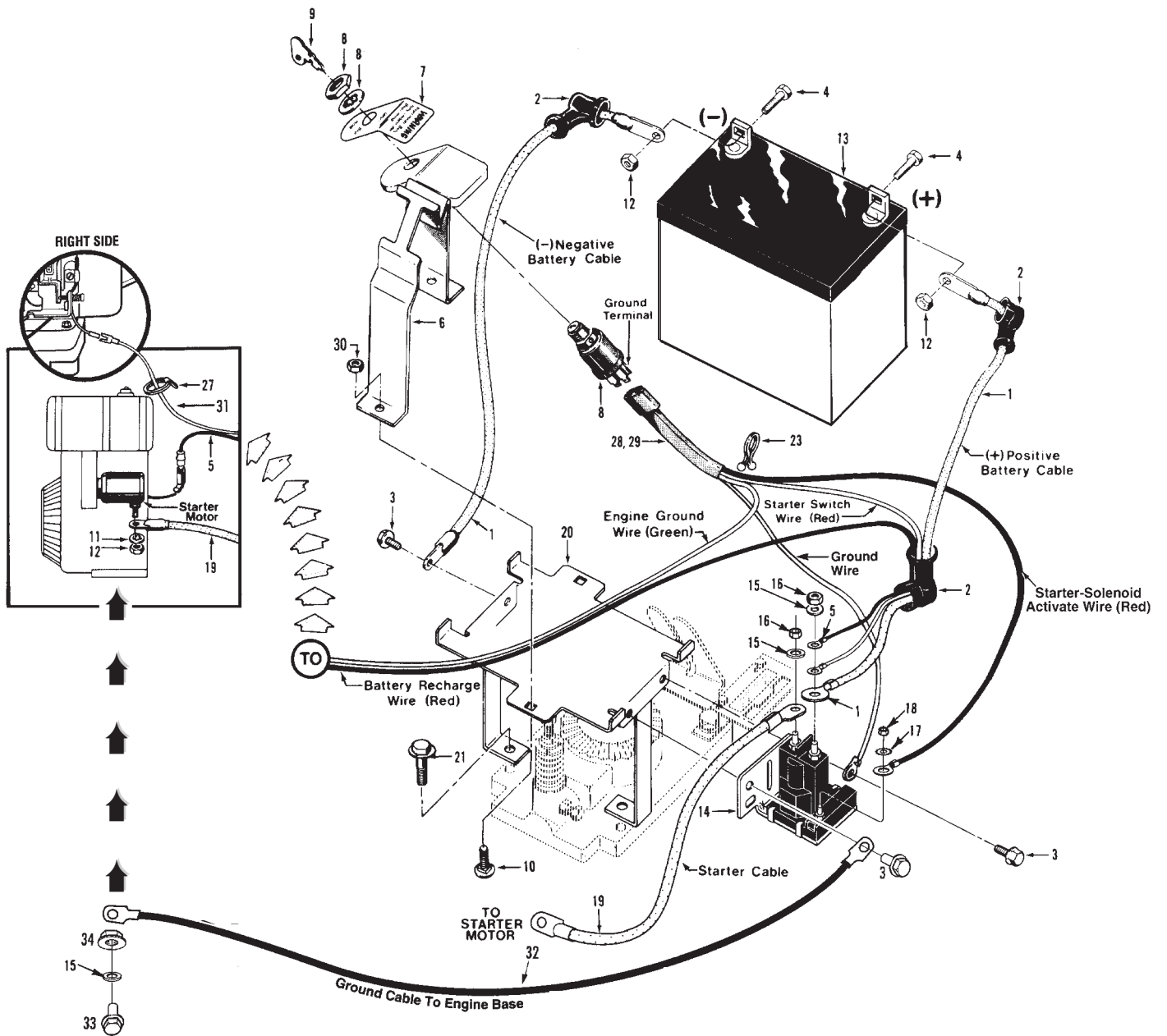
BOLO TINE ASSEMBLIES



REF No.	PART No.	DESCRIPTION	QTY.
STANDARD TILLING TINES			
1	1901975001	Tine Holder—welded steel, fits left or right sides.....	2
2	1982612	Bolt—hex hd., 3/8-16 x 2".....	4
6	GW-1270-1A	Bolo Tine—single, left hand. Used on left and right side tine assy. Tine is stamped either "EL" or "AL".....	8
7	GW-1270-2A	Bolo Tine—single, right hand. Used on left and right side tine assy. Tine is stamped either "ER" or "AR".....	8
8	710-3005	Bolt—hex hd., 3/8-16 x 1".....	16
10	712-0375	Locknut—hex, 3/8"-16.....	20
---	290-253-081	Tine Replacement Kit—unassembled (Incl. eight each of Ref. No.'s 6, and 7, sixteen each of Ref. No.'s 8 and 10). Includes easy-to-follow installation instruction. DOES NOT INCLUDE tine holders, holder mounting hardware, or tine shaft keys.....	1

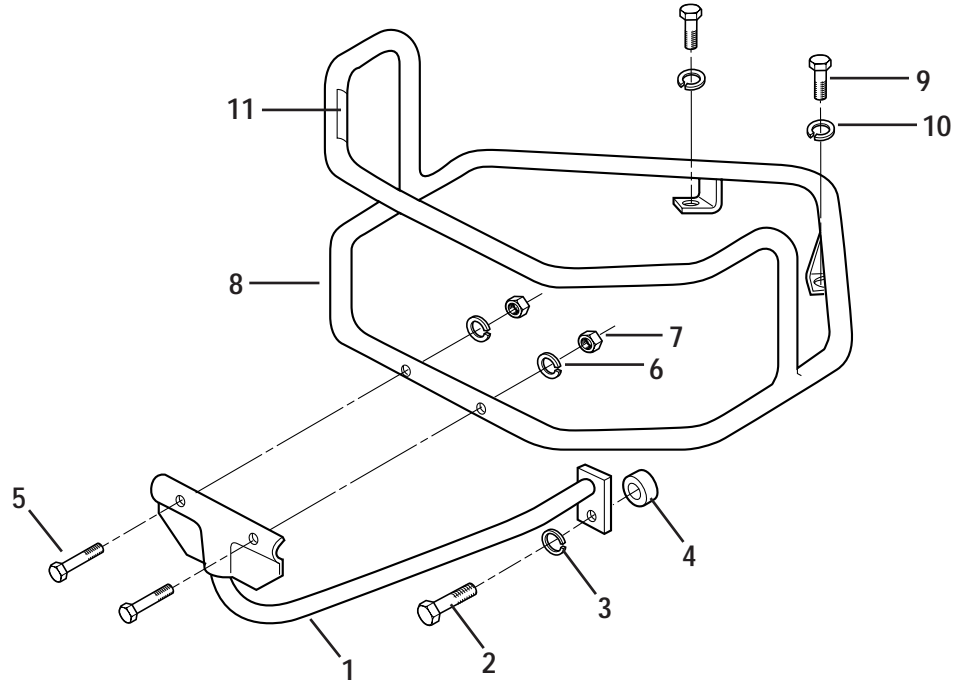
REF No.	PART No.	DESCRIPTION	QTY.
CUSTOM TILLING TINES			
Special hard-faced, high-chrome carbon alloy tines that are thicker than standard Bolo Tines. These tines better resist the abrasive action of rocky, gritty or sandy soil as compared to standard Bolo Tines, and are especially suited for custom tilling or market gardening.			
---	GW-10802	Custom Tilling Tine Kit—(Incl. eight each of Part GW-2475-1 and GW-2475-2 tines and sixteen each of Ref. No.'s 8 and 10.....	1
---	GW-2475-1	Bolo Tine, Custom Tilling—single, left hand.....	8
---	GW-2475-2	Bolo Tine, Custom Tilling—single, right hand.....	8

ELECTRIC START SYSTEM



REF No.	PART No.	DESCRIPTION	QTY.	REF No.	PART No.	DESCRIPTION	QTY.
1	GW-96515	Cable–battery, positive and negative terminals.....	2	14	GW-96514	Solenoid–starter, includes nuts and washers for cables and wires...	1
2	GW-97020	Boot–terminal insulating	3	15	736-0119	Lockwasher–5/16"	3
3	GW-9552	Screw–self-threading, 1/4-20 x 1/2"	3	16	1186211	Nut–hex, 5/16"-24	2
4	1186309	Bolt–hex hd., 1/4-20 x 5/8"	2	17	736-0147	Lockwasher–external tooth, #10..	1
5	1901894	Wire–recharge (red)	1	18	GW-9853	Nut–hex, #10-32,.....	1
6	GW-2614	Battery Hold-down Clamp–with attached Key Switch Plate	1	19	GW-96510	Cable–solenoid to starter motor ..	1
7	777S30648	Decal–ignition switch instruc.....	1	20	GW-2571	Battery Bracket	1
8	725-0267A	Key Switch–includes two ignition keys (Ref. No. 9), one lockwasher, and one mounting nut (lock-washer and nut not available separately).....	1	21	1186349	Bolt–flanged hex hd., 3/8-16 x 1-1/2"	2
9	725-0201	Key–ignition, one pair.....	1	23	GW-9265	Tie–plastic, wire retaining.....	1
10	1180673	Bolt–carriage, 1/4-20 x 1-1/4"	2	27	725-0157	Tie–plastic	2
11	1100241	Lockwasher–spring lock, 1/4"	2	28	1908118	Wire Harness & Connecting Terminal Assembly	1
12	712-0287	Nut–hex, 1/4"-20	2	30	1186389	Locknut–hex, 1/4"-20	3
13	725-1706	Battery–12 volt, 270 CCA.....	1	31	GW-20421	Ground Wire Assembly.....	1
				32	1901202	Cable–ground, solenoid to engine block	1
				33	710-3180	Bolt–flange lock, 5/16-18 x 1".....	1
				34	712-3010	Nut–flange lock, 5/16"-18	1

BUMPER ATTACHMENT



REF No.	PART No.	DESCRIPTION	QTY.	REF No.	PART No.	DESCRIPTION	QTY.
---	290-255-081	Bumper Attachment. Includes Ref. Nos. 1 through 11)	1	6	736-0119	Lockwasher - spring lock, 5/16" ..	2
1	1910730001	Brace - bumper bottom	1	7	712-0267	Nut - hex, 5/16"-18	2
2	710-3181	Bolt - hex hd., 1/2-13 x 1-1/2"	1	8	1910731001	Bumper wraparound	1
3	736-0921	Lockwasher - spring lock, 1/2"	1	9	710-0514	Bolt - hex hd., 3/8-16 x 1"	2
4	1909748	Spacer, 1/2"	1	10	736-0169	Lockwasher - spring lock, 3/8"	2
5	710-0805	Bolt - hex hd., 5/16-18 x 1-1/2" ...	2	11	777S30653	Decal - for bumper	1