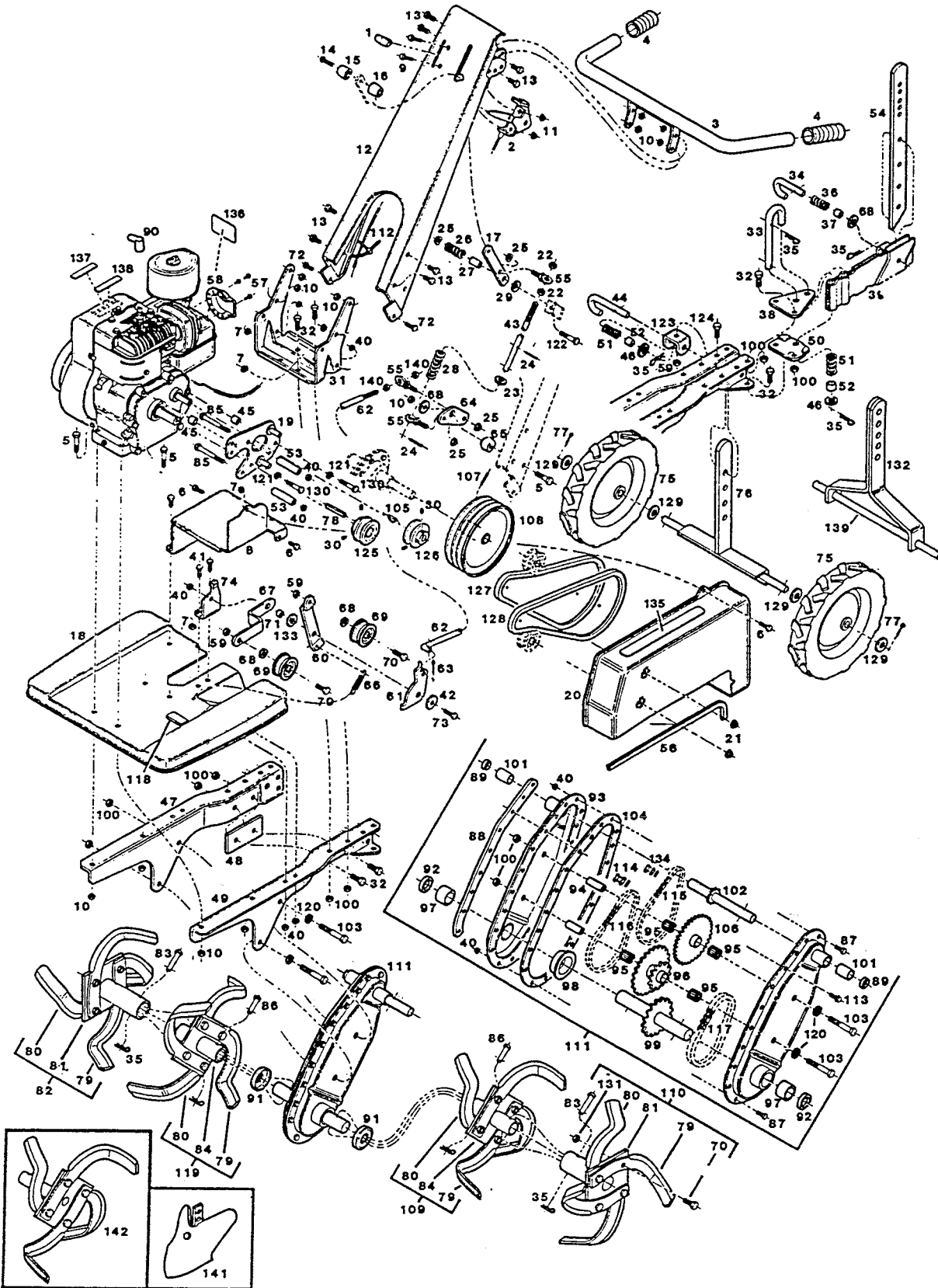


5 HP CHAIN DRIVE TILLER w/o REVERSE
MODEL 23-5100G



521880

