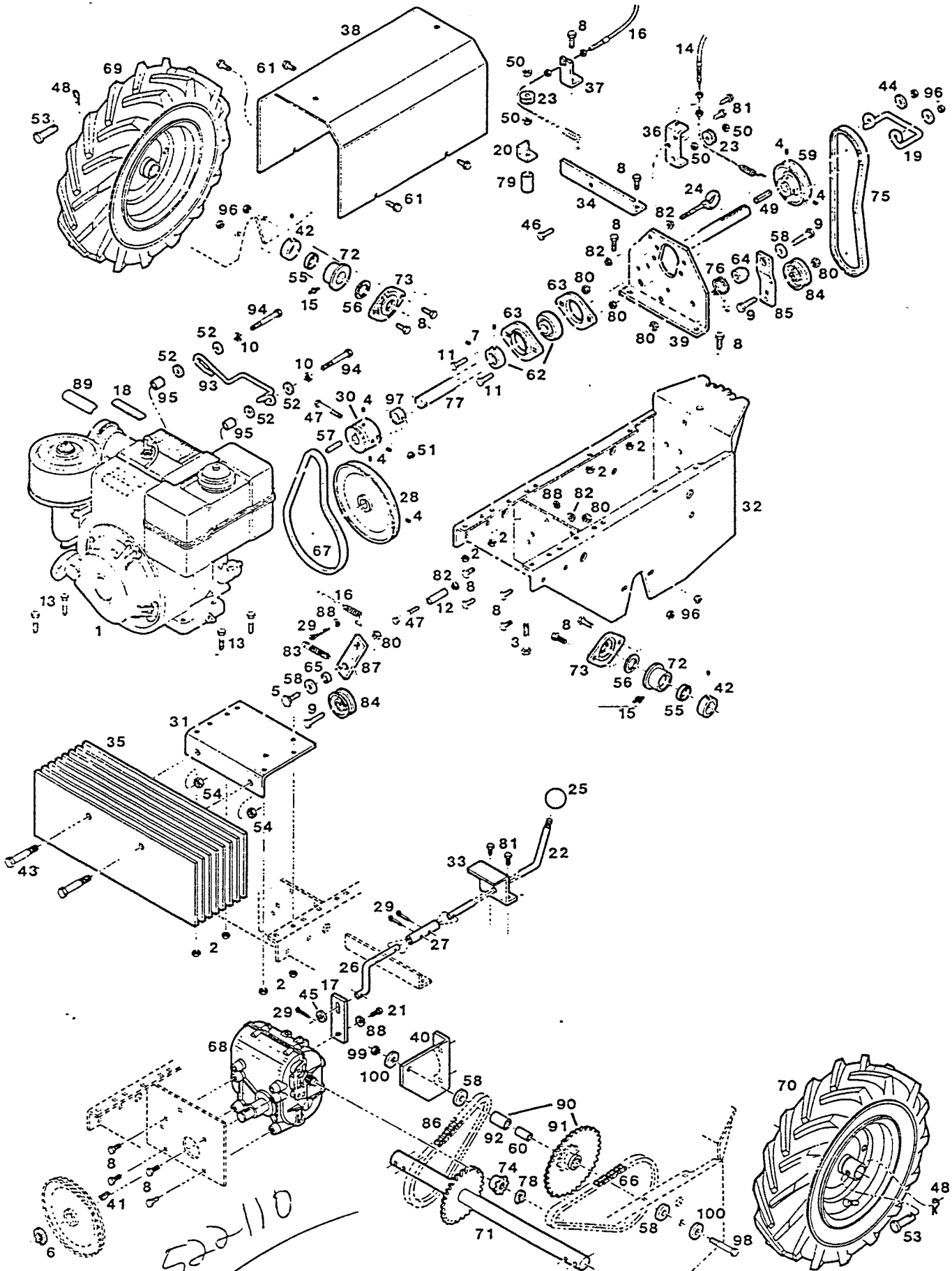


8 HP COUNTER ROTATING REAR TINE TILLER
MODEL 23-8000G



**8 HP COUNTER ROTATING REAR TINE TILLER
MODEL 23-8000G**

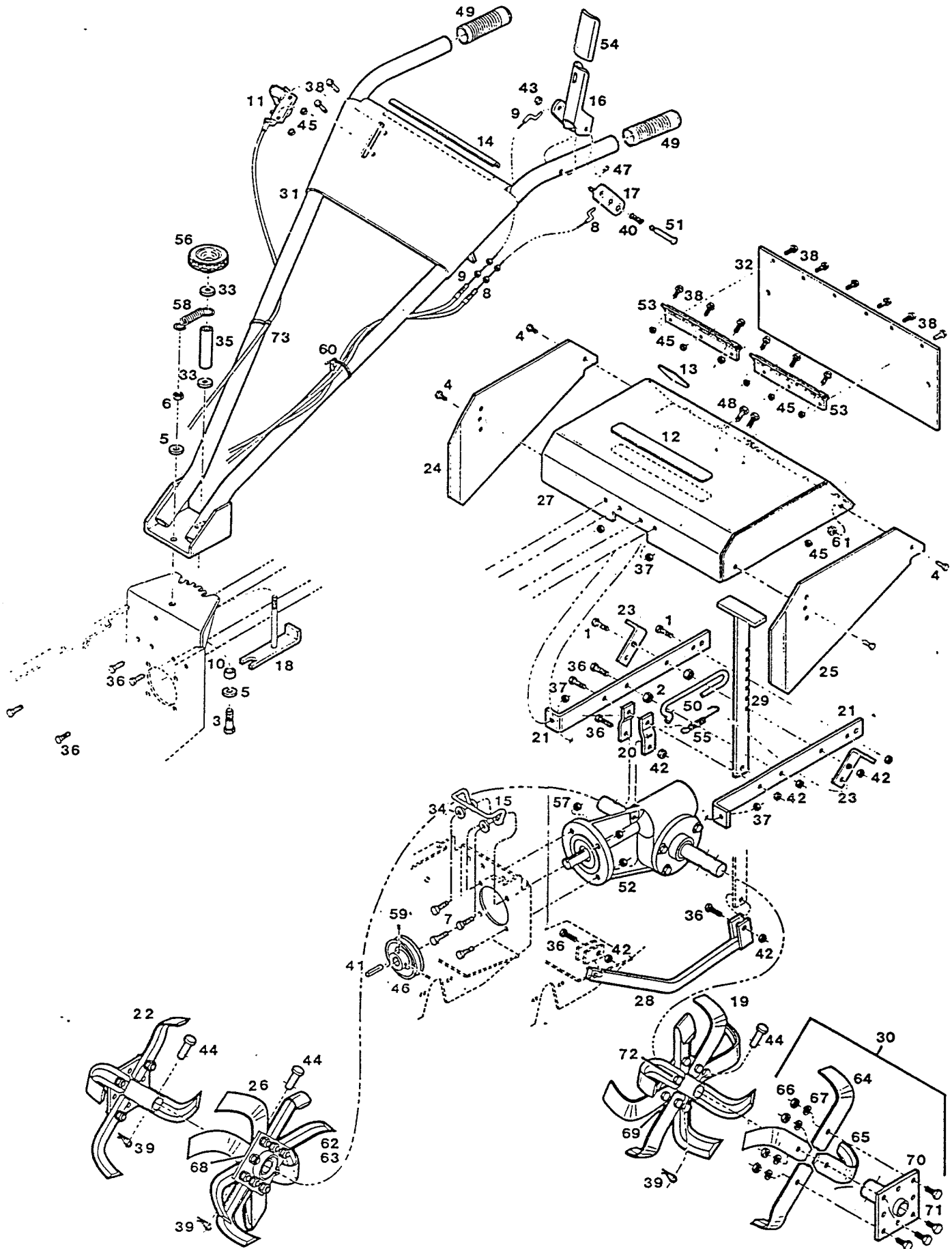
| Index No. | Part No. | Description | Index No. | Part No. | Description |
|-----------|----------|------------------------------------|-----------|----------|---|
| 1 | * | Engine - 8 H.P. | 52 | 616508 | Washer - flat |
| 2 | 157610 | Nut - hex lock 5/16-18 flange | 53 | 616532 | Pin - clevis |
| 3 | 623439 | Bolt - hex 5/16-18 x 2-1/2 | 54 | 616581 | Nut - hex ctr lock 1/2-13 |
| 4 | 315093 | Set screw 5/16-18 x 1/4 | 55 | 616565 | Seal - dust |
| 5 | 154369 | Bolt - hex shoulder 3/8-16 x 1-1/4 | 56 | 584110 | Seal - felt ring |
| 6 | 159285 | Ring - retaining | 57 | 616284 | Key - square 1/4 x 2 |
| 7 | 157305 | Set screw 1/4-20 x 1/4 | 58 | 616854 | Washer - flat 3/8 special |
| 8 | 150151 | Bolt - hex 5/16-18 x 3/4 | 59 | 616870 | Pulley - drive, tiller tines |
| 9 | 159020 | Bolt - hex 3/8-16 x 1-1/2 | 60 | 432971 | Sleeve - sprocket bearing |
| 10 | 311118 | Washer - split lock 5/16 | 61 | 617514 | Bolt - hex self tap 5/16-18 x 5/8 |
| 11 | 312058 | Bolt - hex 5/16-18 x 1 | 62 | 617795 | Bearing - drive shaft |
| 12 | 468710 | Spacer | 63 | 617811 | Flange - bearing retainer |
| 13 | 460311 | Bolt - hex 5/16-18 x 1-3/4 | 64 | 617878 | Bushing - pilot, idler arm |
| 14 | 530469 | Cable - engaging, tine drive | 65 | 617886 | Bushing - idler arm |
| 15 | 624890 | Lubrication Fitting 1/4-28 | 66 | 584144 | Chain - drive 54 links |
| 16 | 530394 | Cable - engaging, ground drive | 67 | 628776 | Belt - wheel drive |
| 17 | 014670 | Lever - shift, on transmission | 68 | 171264** | Transmission - wheel drive (Tecumseh/Peerless Model 700-033) |
| 18 | 551713 | Decal - Place Free Hand Here | 69 | 622118 | Wheel - drive, w/tire RH |
| 19 | 555243 | Keeper - belt, upper | 70 | 622126 | Wheel - drive, w/tire LH |
| 20 | 555318 | Bracket - angle | 71 | 591800 | Axle - drive wheels w/sprocket |
| 21 | 616144 | Bolt - hex 1/4-28 x 1/2 | 72 | 584227 | Bearing - axle |
| 22 | 098897 | Lever - shift | 73 | 014761 | Flange - bearing retainer |
| 23 | 555342 | Roller - cable | 74 | 620021 | Sprocket - axle drive |
| 24 | 555359 | Guide - cable | 75 | 584201 | Belt - tine drive |
| 25 | 616359 | Knob - shift lever | 76 | 622647 | Spring - tine drive idler |
| 26 | 098905 | Rod - shift | 77 | 623181 | Shaft - drive, tiller tines |
| 27 | 098913 | Connector - shift rod/lever | 78 | 620807 | Ring - retaining |
| 28 | 098863 | Fulley - wheel drive transmission | 79 | 156489 | Spacer |
| 29 | 317016 | Pin - cotter | 80 | 624908 | Nut - hex lock 3/8-16 |
| 30 | 098889 | Pulley - drive, on engine | 81 | 158089 | Screw - hex self tap 1/4-20 x 1/2 |
| 31 | 014639 | Plate - engine/weight mount | 82 | 715078 | Nut - hex 1/4-20 whiz flange |
| 32 | 014696 | Frame - chassis | 83 | 775817 | Spring - idler |
| 33 | 571828 | Guide - shift lever | 84 | 170530 | Pulley - idler |
| 34 | 575142 | Bracket - shift rod | 85 | 557579 | Arm - tine idler |
| 35 | 571786 | Plate - front weight | 86 | 584151 | Chain - drive 48 links |
| 36 | 572131 | Support - cable | 87 | 557579 | Arm - drive idler |
| 37 | 572156 | Bracket - cable | 88 | 715136 | Washer - flat #10 |
| 38 | 014647 | Cover - belts and pulleys | 89 | 551846 | Decal - CAUTION Disengage |
| 39 | 014654 | Support - rear bearing | 90 | 434969 | Sprocket Assembly w/bearing Includes 91 and 92 |
| 40 | 575183 | Bracket - idler sprocket | 91 | 434829 | Sprocket - idler |
| 41 | 615534 | Key - woodruff #9 | 92 | 423624 | Bearing - sprocket |
| 42 | 557447 | Collar - axle | 93 | 5575531 | Keeper - belt, engine |
| 43 | 615930 | Bolt - hex 1/2-13 x 4 | 94 | 158154 | Bolt - hex 5/16-18 x 2-3/4 |
| 44 | 715185 | Washer - flat 5/16 | 95 | 469544 | Spacer - belt keeper |
| 45 | 311340 | Washer - flat 3/8 | 96 | 715490 | Nut - hex top lock 5/16-18 |
| 46 | 156950 | Bolt - hex 5/16-18 x 1-1/4 | 97 | 557405 | Spacer - engine pulley |
| 47 | 616094 | Bolt - hex 1/4-20 x 2-1/2 | 98 | 456780 | Bolt - hex 3/8-16 x 2-1/2 |
| 48 | 715011 | Hairpin cotter | 99 | 715086 | Nut - hex lock 3/8-16 |
| 49 | 616276 | Key - square 3/16 x 1-3/8 | 100 | 715417 | Washer 3/8 SAE |
| 50 | 616342 | Nut - hex lock 5/16-18 | | | |
| 51 | 715508 | Nut - hex lock 1/4-20 | | | |

*Contact engine manufacturer's authorized service dealer for parts and warranty.

**Contact Tecumseh/Peerless authorized service dealer or distributor for parts and warranty.

NOTE: Parts are right and left hand as viewed from operator position. Specifications subject to change without prior notice.

8 HP COUNTER ROTATING REAR TINE TILLER
MODEL 23-8000G

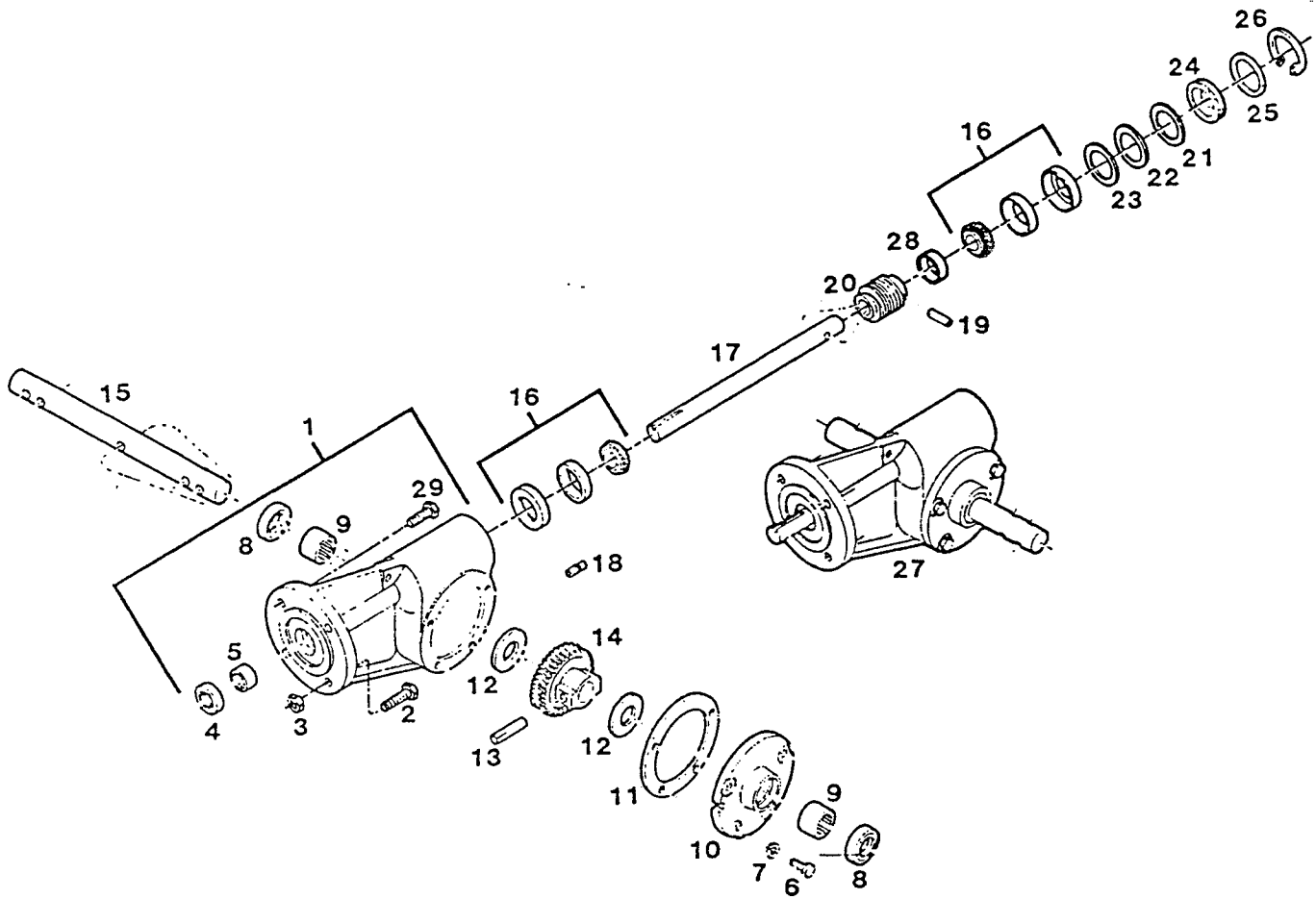


**8 HP COUNTER ROTATING REAR TINE TILLER
MODEL 23-8000G**

| Index No. | Part No. | Description | Index No. | Part No. | Description |
|-----------|----------|-----------------------------------|-----------|----------|-------------------------------|
| 1 | 150250 | Bolt - hex 5/16-18 x 1-1/2 | 39 | 616227 | Hairpin Cotter |
| 2 | 310003 | Nut - hex 1/2-13 | 40 | 616243 | Spring |
| 3 | 615922 | Bolt - hex 1/2-13 x 1-3/4 | 41 | 616276 | Key - square 3/16 x 1-3/8 |
| 4 | 158089 | Screw - hex self tap 1/4-20 x 1/2 | 42 | 616342 | Nut - hex lock 5/16-18 |
| 5 | 615724 | Washer - flat | 43 | 715508 | Nut - hex lock 1/4-20 |
| 6 | 616581 | Nut - hex lock 1/2-13 | 44 | 616532 | Pin - clevis |
| 7 | 159020 | Bolt - hex 3/8-16 x 1-1/2 | 45 | 616615 | Nut - hex lock #10-24 |
| 8 | 530469 | Cable - engaging, tine drive | 46 | 616870 | Pulley - transmission drive |
| 9 | 530394 | Cable - engaging, ground drive | 47 | 617126 | Hairpin Cotter |
| 10 | 617787 | Spacer - latch | 48 | 617514 | Screw - tapping 5/16-18 x 5/8 |
| 11 | 530444 | Control - throttle w/cable | 49 | 619221 | Grip - handle |
| 12 | 551648 | Decal - CAUTION | 50 | 620310 | Pusher - depth bar |
| 13 | 551655 | Decal - WARNING | 51 | 621235 | Pin - clutch |
| 14 | 551671 | Decal - Grd Drive, Tine | 52 | 591529 | Transmission - tine drive |
| 15 | 555243 | Keeper - belt, lower | 53 | 622183 | Hinge - dirt flap |
| 16 | 555433 | Lever - clutch, ground drive | 54 | 622662 | Cover - clutch lever |
| 17 | 555441 | Lever - clutch, tine drive | 55 | 623058 | Spring - depth bar |
| 18 | 555615 | Pull Bar - handle latch | 56 | 620195 | Knob - handle lock |
| 19 | 571299 | Tine Assembly | 57 | 624908 | Nut - hex lock 3/8-16 |
| 20 | 571323 | Bracket - transmission | 58 | 620203 | Spring - pull bar |
| 21 | 571372 | Support - dirt shield | 59 | 156208 | Set screw 5/16-18 x 1/4 |
| 22 | 571380 | Tine Assembly | 60 | 621672 | Tie - cable |
| 23 | 571414 | Bracket - dirt shield | 61 | 715508 | Nut - hex lock 1/4-20 whiz |
| 24 | 571984 | Plate - side RH | 62 | 556209 | Tine - 11" RH |
| 25 | 571992 | Plate - side LH | 63 | 556217 | Tine - 11" LH |
| 26 | 571505 | Tine Assembly | 64 | 556225 | Tine - 13" RH |
| 27 | 575076 | Shield - dirt | 65 | 556233 | Tine - 13" LH |
| 28 | 571679 | Bar - skid | 66 | 615633 | Nut - hex 3/8-24 |
| 29 | 571687 | Bar - depth | 67 | 615666 | Washer - split lock 3/8 |
| 30 | 571729 | Tine Assembly | 68 | 574038 | Hub - tines |
| 31 | 575032 | Handle | 69 | 617787 | Spacer - tine |
| 32 | 574236 | Flap - dirt | 70 | 622290 | Hub - tines |
| 33 | 616854 | Washer - flat 3/8 | 71 | 624940 | Bolt - hex 3/8-24 x 1 GR5 |
| 34 | 715417 | Washer 3/8 SAE | 72 | 624957 | Bolt - hex 3/8-24 x 1-1/4 GR5 |
| 35 | 620187 | Spacer - pull bar pin | 73 | 621003 | Clip - throttle cable |
| 36 | 615831 | Bolt - hex 5/16-18 x 1-1/4 | | | |
| 37 | 151340 | Nut - hex lock 5/16-18 flange | | | |
| 38 | 616177 | Screw - hex #10-24 x 1/2 | | | |

NOTE: Parts are right and left hand as viewed from operator position.
Specifications subject to change without prior notice.

8 HP COUNTER ROTATING REAR TINE TILLER
MODEL 23-8000G



**8 HP COUNTER ROTATING REAR TINE TILLER
MODEL 23-8000G**

| Index No. | Part No. | Description |
|-----------|----------|--|
| 1 | 629188 | Case - transmission w/brngs & seals (Includes one of each of 4, 5, 8 and 9) |
| 2 | 159020 | Bolt - hex 3/8-16 x 1-1/2 |
| 3 | 624908 | Nut - hex lock 3/8-16 |
| 4 | 616383 | Seal - oil, worm shaft |
| 5 | 616524 | Bearing - needle, worm shaft |
| 6 | 617019 | Bolt - hex 5/16-18 x 7/8 |
| 7 | 311118 | Washer - split lock 5/16 |
| 8 | 616391 | Seal - oil, axle |
| 9 | 423731 | Bearing - needle, axle |
| 10 | 572784 | Cover - side |
| 11 | 617035 | Gasket - cover |
| 12 | 616417 | Washer - thrust |
| 13 | 616466 | Pin - worm gear |
| 14 | 624452 | Gear - worm |
| 15 | 623744 | Axle - tine |
| 16 | 545582 | Bearing - worm shaft |
| 17 | 617084 | Shaft - worm |
| 18 | 615500 | Plug - pipe |
| | 616912 | Plug - breather |
| 19 | 155515 | Pin - roll 1/4 x 1-1/8 |
| 20 | 624429 | Worm - drive |
| 21 | 621334 | Shim .003 (as required) |
| 22 | 621342 | Shim .005 (as required) |
| 23 | 622506 | Shim .020 (as required) |
| 24 | 616433 | Plug - seal |
| 25 | 616441 | O-ring |
| 26 | 616425 | Ring - retainer |
| 27 | 591529 | Transmission assembly |
| 28 | 623504 | Collar - worm |
| 29 | 457176 | Bolt - hex 3/8-16 x 1-1/4 |

517037 SHIM KIT - Consists of (5) .005 thick shims, (1) .003 thick shim and (1) .020 thick shim. Worm shaft to be shimmed to 0 to .005 end play.

NOTE: Fill transmission with 16 oz. of P/N 432849
Gear Lube (not shown)