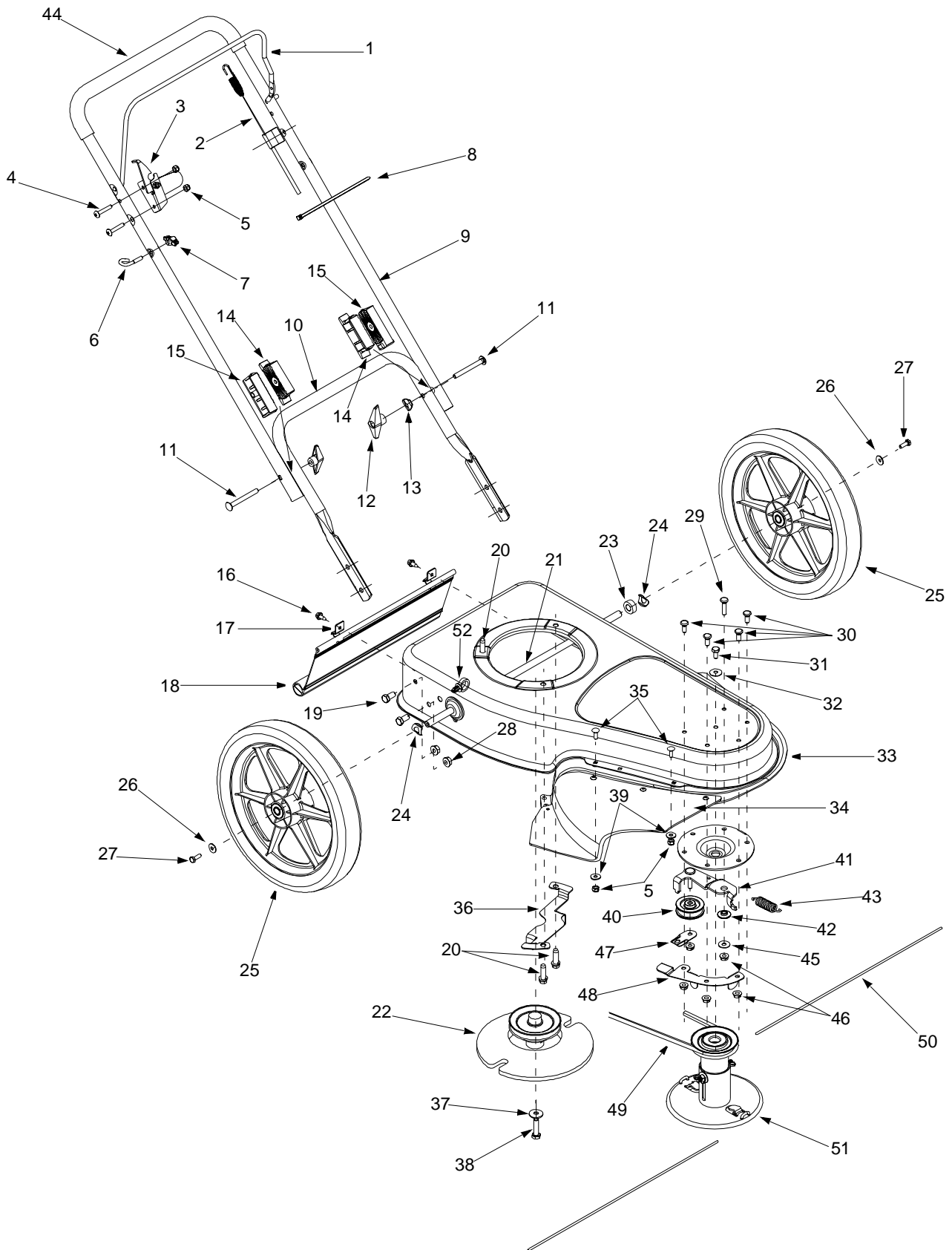


# Model 25A-258L401



## Model 25A-258L401

Ref. No.	Part No.	Part Description	Ref. No.	Part No.	Part Description
1.	747-0824	Control Lever	27.	710-3015	Hex Cap Screw 1/4-20 x .75
2.	746-1116A	Engagement Cable	28.	712-3005	Flange Lock Nut 3/8-16
3.	681-0166	Control Lock Bracket	29.	710-1694	Screw 5/16-18 x 1.25
4.	710-0578	Machine Screw 1/4-20 x 1.50	30.	710-1307	Screw 5/16-18 x .75
5.	712-0324	Hex Lock Nut 1/4-20	31.	710-0237	Hex Cap Screw 5/16-24 x .625
6.	710-1205	Eye Bolt 1/4-20	32.	736-0425	Bell Washer .325 ID x .930 OD
7.	720-0279	Wing Nut	33.	681-0165	Trimmer Base Assembly
8.	726-0240	Cable Tie	34.	631-0096	Trimmer Deflector Assembly
9.	749-1255	Upper Handle	35.	710-0703	Hex Carriage Screw 1/4-20 x .75
10.	749-1254	Lower Handle	36.	781-1007	Belt Keeper Bracket Engine
11.	710-0450	Carriage Screw 5/16-18 x 3.0	37.	736-0452	Bell Washer .396 ID x 1.14 OD
12.	720-0284	Wing Nut	38.	710-1044	Hex Cap Screw 3/8-24 x 1.50
13.	736-0451	Shoulder Washer .320 ID x .93 OD	39.	736-0173	Flat Washer .28 ID x .74 OD
14.	731-1267	Lower Handle Connector	40.	756-1198	Idler Pulley
15.	731-1268	Upper Handle Connector	41.	681-0181A	Idler Bracket Assembly
16.	710-0896	Hex Washer Screw 1/4-14 x .625	42.	750-1275	Idler Spacer
17.	782-9065	Trail Shield Clip	43.	732-1166	Extension Spring .50 Dia x 1.88 Lg
18.	731-2329	Trail Shield	44.	720-0295	Handle Grip
19.	710-0216	Hex Cap Screw 3/8-16 x .750	45.	736-0371	Flat Washer
20.	710-0502A	Hex Washer Screw 3/8-16 x 1.25	46.	712-3004A	Flange Lock Nut 5/16-18
21.	681-0159	Trimmer Axle	47.	781-1028	Idler Keeper Bracket
22.	756-1223	Flywheel Pulley	48.	781-1020	Belt Keeper Bracket Front
23.	750-1240	Spacer .51 ID x 1.0 OD	49.	754-0625	V-Belt
24.	736-0182	Spacer Washer .501 ID x 1.0 OD	50.	OEM-743-0112	Trimmer Line .155 Dia
25.	734-1860	Wheel Assembly	51.	618-0558	Spindle Assembly
26.	736-0270	Bell Washer .265 ID x .75 OD	52.	726-3055	Cable Retainer Clip

**NOTE:** For **painted parts**, please refer to the list of color codes below. Please add the applicable color code, wherever needed, to the part number to order a replacement part. For instance, if a part numbered 700-xxxx is painted Yard-Man Green, the part number to order would be 700-xxxx-0665.

Yard-Man Green: 0665

Yard-Man Yellow: 0674

Powder Black: 0637