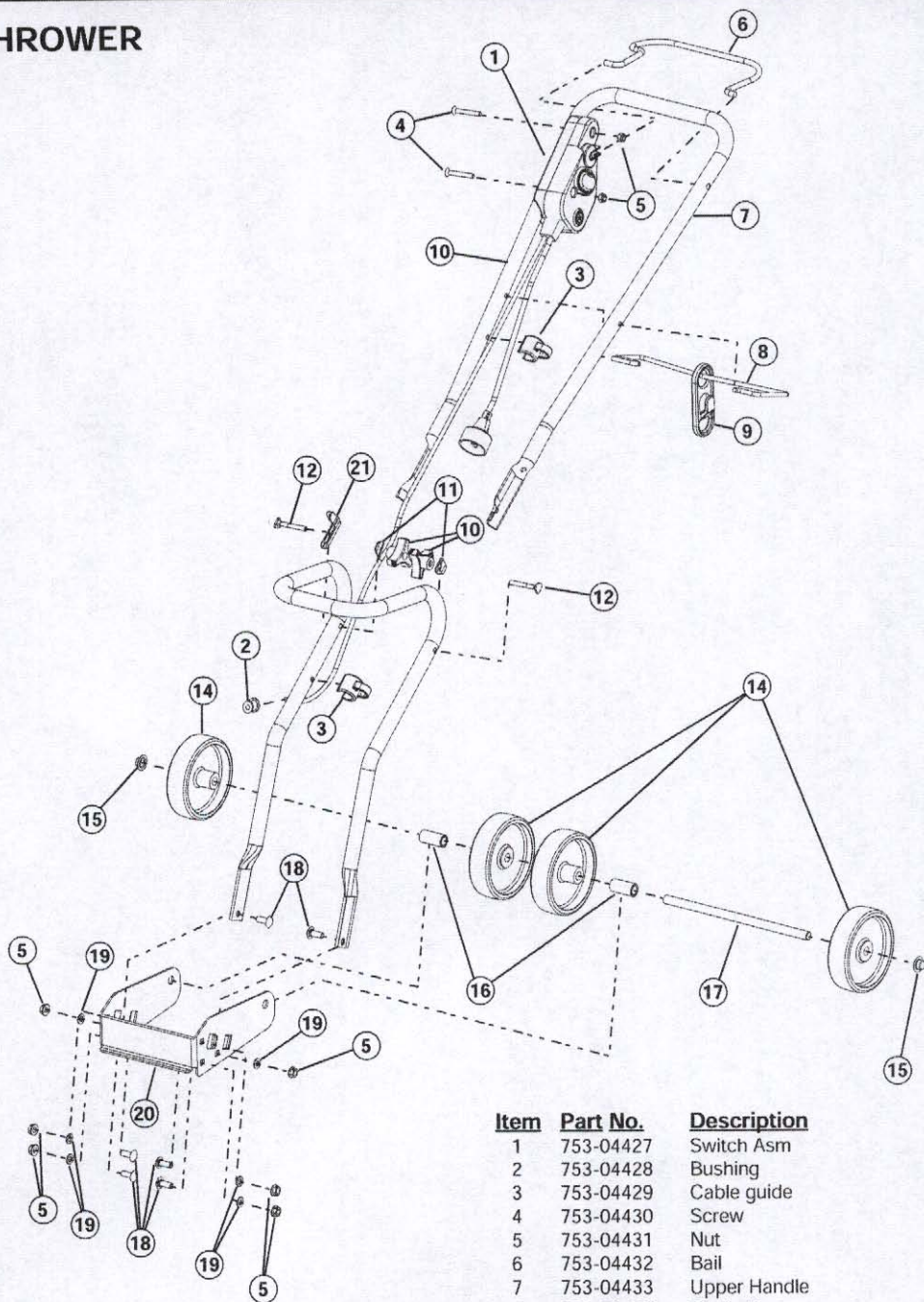


PARTS LIST

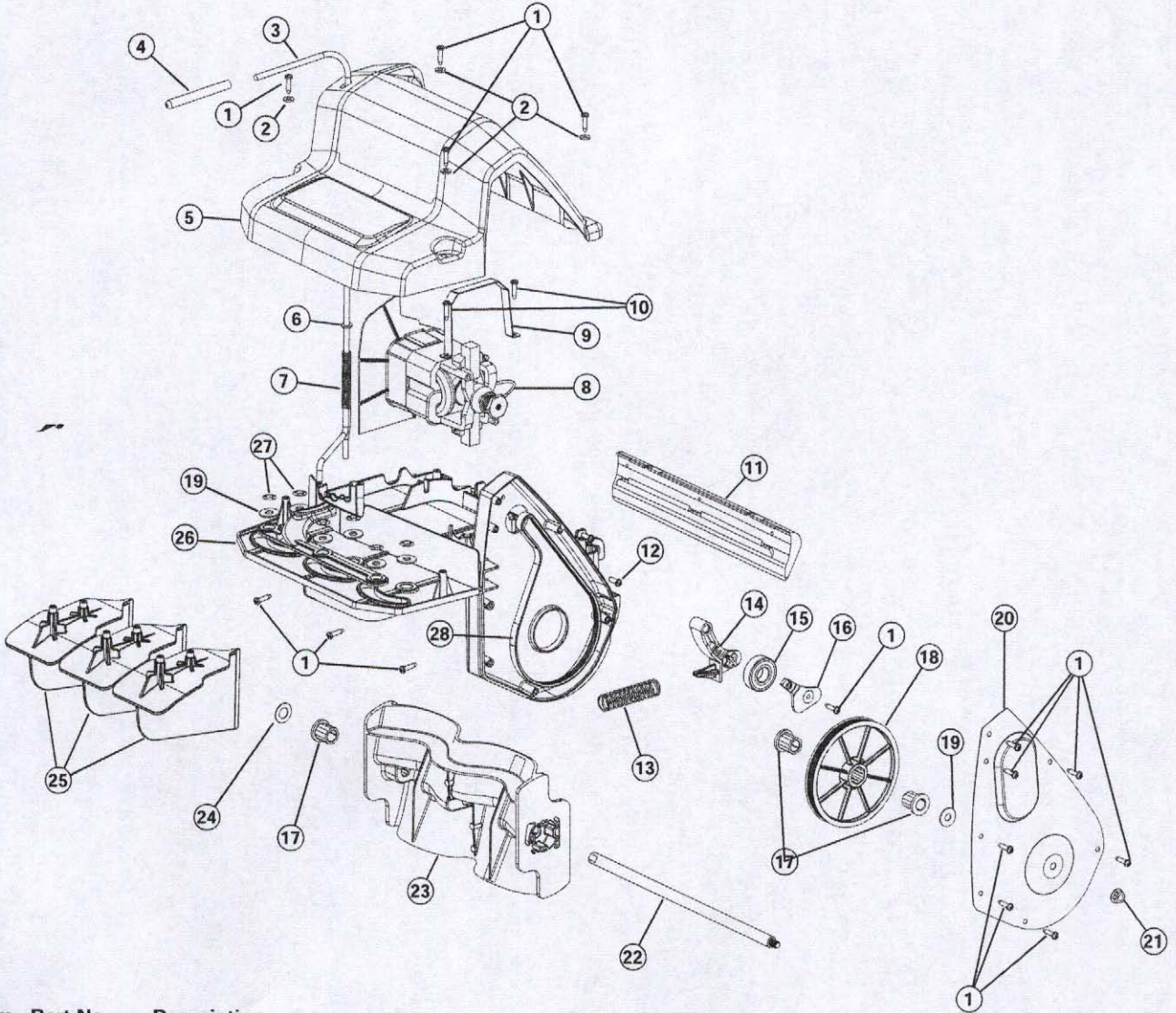
HANDLE PARTS ELECTRIC SNOW THROWER



| Item | Part No. | Description |
|------|------------|---------------------|
| 1 | 753-04427 | Switch Asm |
| 2 | 753-04428 | Bushing |
| 3 | 753-04429 | Cable guide |
| 4 | 753-04430 | Screw |
| 5 | 753-04431 | Nut |
| 6 | 753-04432 | Bail |
| 7 | 753-04433 | Upper Handle |
| 8 | 753-04434 | Guide Bar |
| 9 | 753-04435 | Cord Restraint |
| 10 | 791-182677 | Knob |
| 11 | 753-04052 | Washer |
| 12 | 791-182899 | Bolt |
| 13 | 753-04436 | Lower Handle |
| 14 | 753-04437 | Wheel |
| 15 | 753-04062 | Push Cap |
| 16 | 753-04438 | Spacer |
| 17 | 753-04439 | Axel |
| 18 | 791-182213 | Bolt |
| 19 | 791-182678 | Washer |
| 20 | 753-04440 | Wheel Bracket |
| 21 | 753-04441 | Control Rod Bracket |

PARTS LIST

MOTOR/TROWER PARTS ELECTRIC SNOW THROWER



| Item | Part No. | Description |
|------|------------|-----------------------------------|
| 1 | 791-181345 | Screw |
| 2 | 791-182409 | Washer |
| 3 | 791-000012 | Vane Control Handle (includes 4) |
| 4 | 791-000001 | Grip |
| 5 | 753-04416 | Cover |
| 6 | 753-04079 | Washer |
| 7 | 791-000002 | Spring |
| 8 | 753-04421 | Motor Assm w/Baffle, Fan & Pulley |
| 9 | 753-04422 | Motor Strap |
| 10 | 791-181862 | Screw |
| 11 | 791-00010 | Scraper |
| 12 | 791-181858 | Screw |
| 13 | 791-00015 | Spring |
| 14 | 791-00016 | Idler Arm |
| 15 | 753-04081 | Ball Bearing |
| 16 | 791-00017 | Keeper |
| 17 | 753-04082 | Flange Bearing |

| Item | Part No. | Description |
|------|------------|----------------------|
| 18 | 791-00018 | Driven Pulley |
| 19 | 753-04080 | Washer |
| 20 | 753-04443 | Belt Case Cover |
| 21 | 753-04056 | Flange Lock Nut |
| 22 | 791-00022 | Axle Auger |
| 23 | 753-04423 | Auger |
| 24 | 791-182910 | Washer |
| 25 | 791-00020 | Vane |
| 26 | 753-04425 | Snow Thrower Housing |
| 27 | 791-00013 | Push Nut |
| 28 | 791-00014 | Drive Belt |