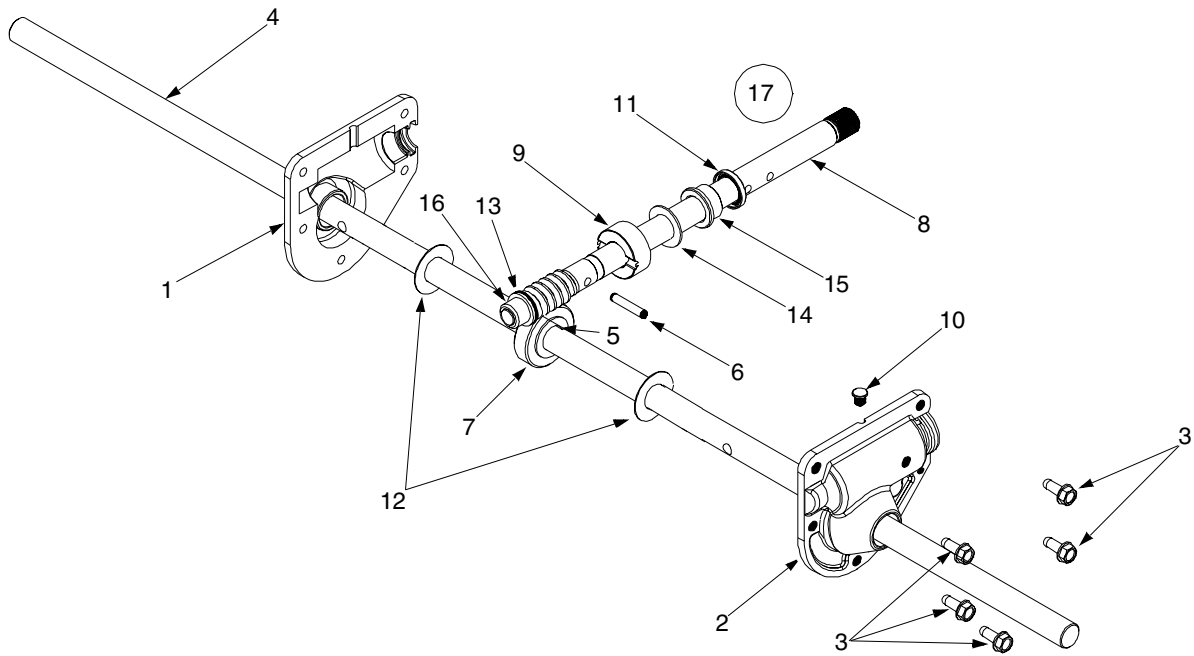
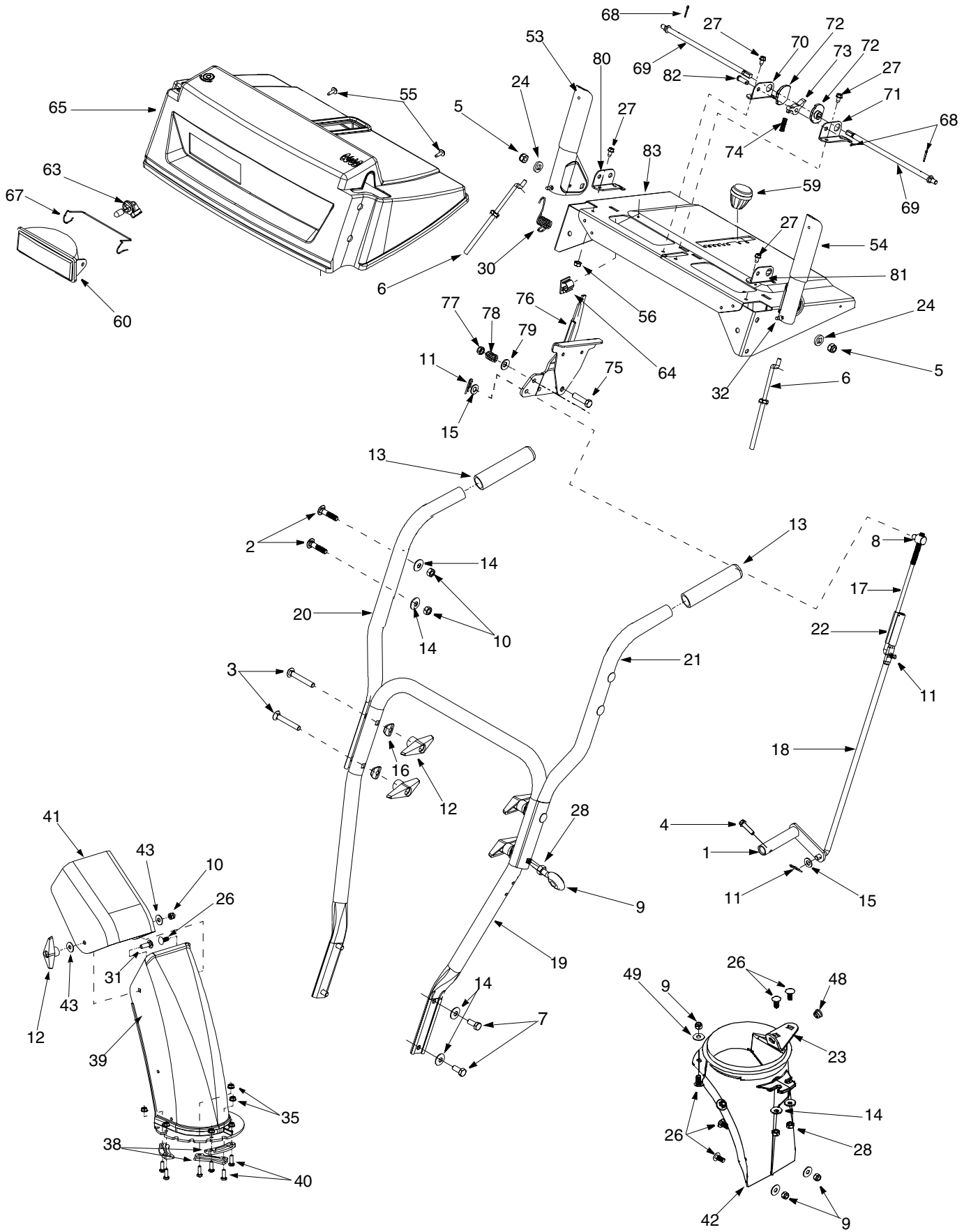


Models 643 & 663



| Ref. No. | Part No. | Part Description |
|----------|-----------|----------------------------------|
| 1. | 618-0123 | RH Housing |
| 2. | 618-0124 | LH Housing |
| 3. | 710-0642 | Self Tapping Screw, 1/4-20 x .75 |
| 4. | 711-0910A | Spiral Axle, 28" |
| 5. | 714-0161 | Hi-Pro Key, 3/16 x 5/8 |
| 6. | 715-0143 | Spring Spiral Pin, .25 x 1.25 |
| 7. | 717-0528 | Worm Gear, 20-tooth |
| 8. | 717-0526 | Worm Shaft |
| 9. | 718-0186 | Thrust Collar |
| 10. | 721-0325 | Grease Plug |
| 11. | 721-0327 | Grease Seal |
| 12. | 736-0351 | Flat Washer, .76 x 1.5 x .030 |
| 13. | 736-0369 | Flat Washer, .508 x 1.0 x .020 |
| 14. | 736-0445 | Flat Washer, .76 x 1.5 x .060 |
| 15. | 741-0662 | Flange Bearing, .75 x 1.0 x .59 |
| 16. | 741-0663 | Flange Bearing, .503 ID x .75 OD |
| 17. | 618-0122A | Gear Ass'y Complete, 28" |

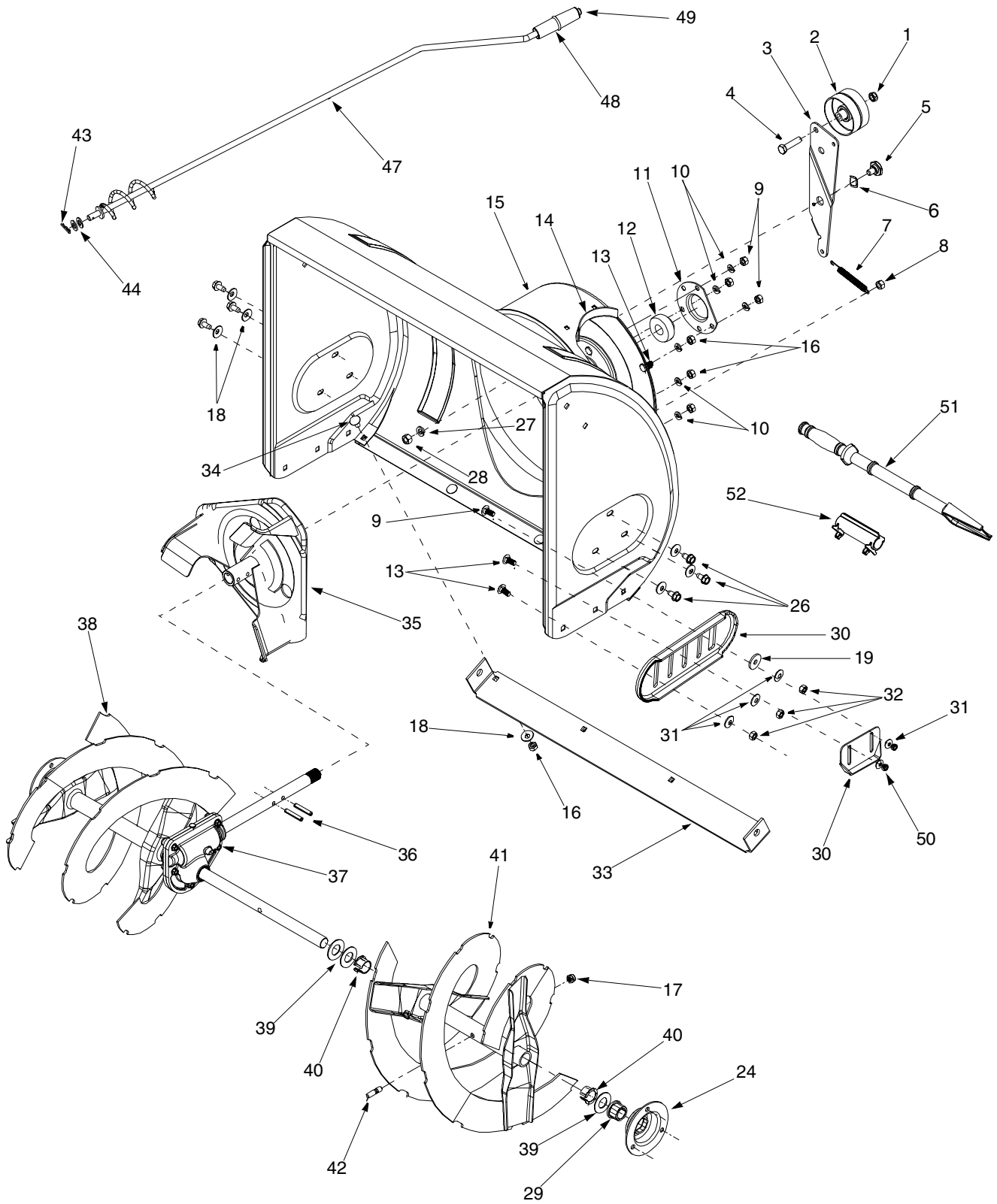
Models 643 & 663



Models 643 & 663

| Ref. No. | Part No. | Part Description | Ref. No. | Part No. | Part Description |
|----------|-----------|--------------------------------|----------|-----------|-------------------------------|
| 1. | 684-0008A | Shift Arm Assembly | 39. | 731-1300B | Lower Chute |
| 2. | 710-0458 | Carriage Bolt 5/16-18 x 1.75" | 40. | 710-3015 | Hex Cap Screw 1/4-20 x .75 |
| 3. | 710-0449 | Carriage Bolt 5/16-18 x 2.25" | 41. | 731-0921 | Upper Chute |
| 4. | 710-0788 | TT Screw 1/4-20 x 1" | 43. | 736-0159 | 5/16 Washer |
| 5. | 712-0429 | Hex Lock Nut 5/16-18 | 47. | 746-0901 | Control Cable |
| 6. | 746-0778 | Z Fitting Cable | 48. | 741-0475 | Plastic Bushing |
| 7. | 710-1880 | Hex Screw 5/16-18 x .75" | 49. | 736-0159 | 5/16 Washer |
| 8. | 711-0677 | Ferrule | 53. | 684-0036A | Handle Assembly RH |
| 9. | 747-0697 | Eyebolt | 54. | 684-0037B | Handle Assembly LH |
| | 735-0234 | Grommet Only | 55. | 710-1003 | Special Hex Screw |
| 10. | 712-3068 | Hex Nut 5/16-18 | 56. | 712-0271 | Hex Sems Nut: 1/4-20 |
| 11. | 714-0104 | Cotter Pin | 57. | 712-0693 | Hex Nut |
| 12. | 720-0284 | Handle Knob | 59. | 720-0232 | Shift Knob |
| 13. | 720-0274 | Grip | 60. | 725-1672 | Lamp Housing |
| 14. | 736-0242 | Belleville Washer | 63. | 725-1658 | Halogen Lamp: 50W, 12V |
| 15. | 736-0275 | Flat Washer | 64. | 726-0152 | Mounting Clamp |
| 16. | 736-0451 | Saddle Washer | 65. | 731-04144 | Handle Panel |
| 17. | 747-0620A | Shift Rod: Upper | 67. | 747-1136 | Headlight Retainer |
| 18. | 747-0621 | Shift Rod: Lower | 68. | 714-0507 | Cotter Pin: 3/32 x .75 |
| 19. | 749-0951 | Lower Handle | 69. | 747-0877 | Cam Rod |
| 20. | 749-0952A | Upper Handle: L Style RH | 70. | 784-5680 | RH Handle Support Bracket |
| 21. | 749-0953A | Upper Handle: L Style LH | 71. | 784-5679 | LH Handle Support Bracket |
| 22. | 750-0963 | Connector: Shift Rod | 72. | 748-0362 | Cam Handle Lock |
| 23. | 784-5647 | Chute Crank Bracket | 73. | 748-0363 | Handle Lock Pawl |
| 24. | 736-0509 | Washer .72 OD x .135 ID | 74. | 732-0145 | Compression Spring: .36 x 1.0 |
| 25. | 710-0262 | Carriage Bolt: 5/16-18 x 1.5" | 75. | 710-0459A | Hex Cap Screw: 3/8-24 x 1.5 |
| 26. | 710-0451 | Carriage Bolt: 5.16-18 x .750" | 76. | 784-5619A | Shift Handle |
| 27. | 710-0599 | TT Screw: 1/4-20 x 0.5" | 77. | 712-0116 | Jam Nut, 3/8-24 |
| 28. | 712-3010 | Hex Nut 5/16-18 | 78. | 732-0193 | Comp. Spring: .39 x .6 x .88 |
| 30. | 732-0746 | Torsion Spring | 79. | 736-0105 | Bell Washer |
| 31. | 710-0276 | Carriage Screws 5/16-18 x 1.0 | 80. | 784-5682 | RH Handle Support Bracket |
| 32. | 735-0199A | Rubber Bumper | 81. | 784-5681 | LH Handle Support Bracket |
| 35. | 712-3027 | Hex Flange Lock Nut | 82. | 711-0653 | Clevis Pin |
| 38. | 731-0851A | Chute Flange Keeper | 83. | 684-0103 | Handle Panel |

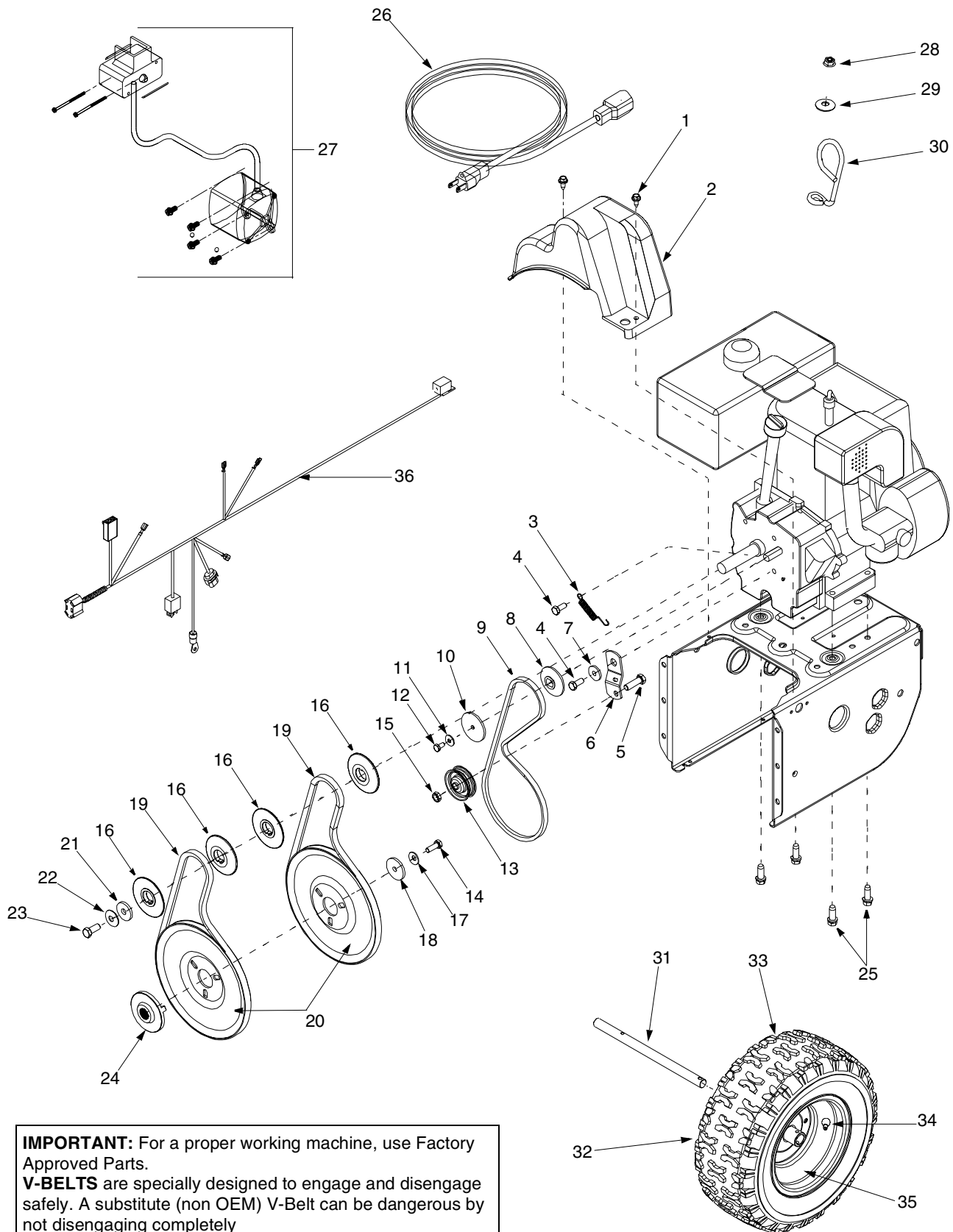
Models 643 & 663



Models 643 & 663

| Ref. No. | Part No. | Part Description | Ref. No. | Part No. | Part Description |
|----------|-----------|-------------------------------|----------|-----------|-----------------------------|
| 1. | 712-0116 | Lock Jam Nut 3/8-24 | | 784-5038B | Skid Shoe (If Equipped) |
| 2. | 756-0178 | Flat Idler | 31. | 736-0242 | Bell Washer |
| 3. | 784-5632B | Auger Idler Arm | 32. | 712-3010 | Hex Nut 5/16-18 |
| 4. | 710-0459A | Hex Cap Screw 3/8-24 x 1.50 | 33. | 784-5582A | Shave Plate |
| 5. | 738-0281 | Shoulder Screw | 34. | 710-0260 | Carriage Bolt 5/16-18 x .62 |
| 6. | 736-0167 | Wave Washer | 35. | 684-0065 | Impeller Assembly |
| 7. | 732-0611 | Extension Spring | 36. | 715-0114 | Pin |
| 8. | 712-3068 | Hex Nut 5/16-18 | 37. | 618-0122A | 28" Gear Ass'y |
| 9. | 710-0276 | Carriage Bolt, 5/16-18 x 1.00 | 38. | 605-5196A | 28" Spiral RH |
| 10. | 736-0119 | Lock Washer 5/16 | 39. | 736-0188 | Flat Washer |
| 11. | 05931A | Bearing Housing | 40. | 741-0493A | Flange Bushing |
| 12. | 741-0309 | Ball Bearing | 41. | 605-5197A | 28" Spiral LH |
| 13. | 710-0451 | Carriage Bolt, 5/16-18 x .75 | 42. | 710-0890A | Shear Bolt 5/16-18 x 1.5 |
| 14. | 705-5226 | Chute Reinforcement | 43. | 714-0104 | Hairpin Clip |
| 15. | 684-0041D | 28" Housing Ass'y | 44. | 736-0185 | Flat Washer |
| 16. | 712-3010 | Hex Nut 5/16-18 | 47. | 705-5204A | Chute Crank |
| 17. | 712-0429 | Lock Nut 5/16-18 | 48. | 720-0201A | Chute Crank Knob |
| 18. | 736-0242 | Belleville Washer | 49. | 726-0100 | Push Cap |
| 19. | 736-0231 | Flat Wshr, .344ID x 1.125 OD | 50. | 712-3068 | Hex Nut 5/16-18 |
| 24. | 784-5618 | Bearing Housing | 51. | 731-2643 | Clean-Out Tool |
| 26. | 710-0604A | Hex Screw 5/16-18 | 52. | 731-2635 | Clean-Out Tool Mount |
| 27. | 736-0169 | Lock Washer 3/8 | | 777I20711 | Label: Handle Panel (L) |
| 28. | 712-0798 | Hex Nut 3/8-16 | | 777I20722 | Label: Handle Panel (R) |
| 29. | 741-0245 | Hex Flange Bearing | | 777S30514 | Label: Housing Danger |
| 30. | 784-5580 | Slide Shoe | | 777S30511 | Label: Chute Danger |

Models 643 & 663

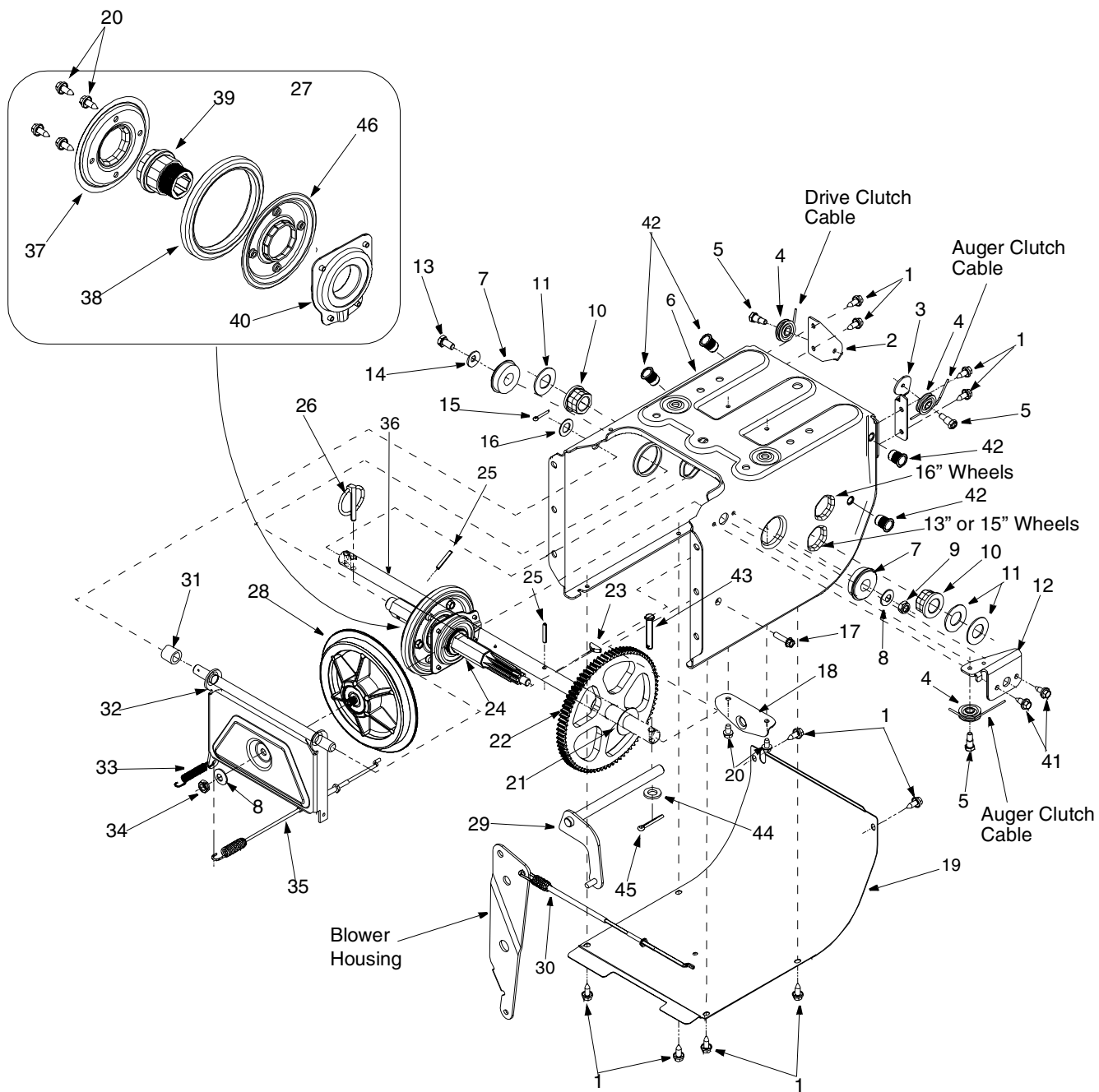


IMPORTANT: For a proper working machine, use Factory Approved Parts.
V-BELTS are specially designed to engage and disengage safely. A substitute (non OEM) V-Belt can be dangerous by not disengaging completely

Models 643 & 663

| Ref. No. | Part No. | Part Description |
|----------|-------------|--------------------------------|
| 1. | 710-1652 | Hex Washer Screw 1/4-20 x .625 |
| 2. | 731-1324 | Belt Cover |
| 3. | 732-0710 | Extension Spring |
| 4. | 710-0627 | Hex Screw 5/16-24 x .75 |
| 5. | 710-3005 | Hex Cap Screw 3/8-16 x 1.25 |
| 6. | 05896A | Drive Clutch Idler Bracket |
| 7. | 748-0234 | Shoulder Spacer |
| 8. | 756-0987 | Pulley Half |
| 9. | 754-0346 | V-Belt |
| 10. | 756-0986 | Pulley Half |
| 11. | 736-0270 | Bell Washer |
| 12. | 710-0230 | Hex Cap Screw 1/4-28 x .50 |
| 13. | 756-0313 | Flat Idler |
| 14. | 710-1245B | Lock Hex Cap Screw 5/16-24 |
| 15. | 712-0181 | Lock Jam Nut 3/8-16 |
| 16. | 756-0569 | Pulley Half |
| 17. | 736-0242 | Bell Washer |
| 18. | 736-0505 | Flat Washer |
| 19. | 754-0430B | Belt |
| 20. | 756-0967 | Auger Pulley |
| 21. | 736-0247 | Flat Washer 3/8 x 1.25 OD |
| 22. | 736-0331 | Bell Washer |
| 23. | 710-0696 | Hex Cap Screw 3/8-24 |
| 24. | 748-0360 | Adapter Pulley |
| 25. | 710-0654A | Hex Screw 3/8-16 x 1.0 |
| 26. | 629-0071 | Extension Cord |
| 27. | OEM-390-987 | Electric Start Kit |
| 28. | 712-0324 | Lock Nut, 1/4-20 |
| 29. | 736-0173 | Flat Washer, .28 x .74 x .063 |
| 30. | 732-0705 | Cable Guide |
| 31. | 738-0830 | Axle 16" |
| 32. | 734-1712A | Wheel Ass'y Comp 16.5" x 4.8" |
| 33. | 734-1525 | Tire 16.0" x 6.50" x 8.0" |
| 34. | 734-0255 | Tubeless Air Valve |
| 35. | 734-1711A | Rim Assembly |
| 36. | 629-0059 | Upper Harness Assembly |

Models 643 & 663



Models 643 & 663

| Ref. No. | Part No. | Part Description | Ref. No. | Part No. | Part Description |
|----------|-----------|-------------------------------|----------|-----------|---------------------------------|
| 1. | 710-0599 | Hex Screw | 25. | 715-0249 | Roll Pin |
| 2. | 784-5688 | Drive Cable Guide Bracket | 26. | 714-0143 | Klik Pin |
| 3. | 784-5687A | Auger Clutch Cable Bracket | 27. | 684-0042C | Friction Wheel Assembly |
| 4. | 756-0625 | Roller Cable | 28. | 656-0012A | Friction Disc Wheel |
| 5. | 738-0924 | Hex Screw 1/4-28 | 29. | 684-0013B | Wheel Shift Rod Assembly |
| 6. | 784-5630B | Frame Assembly | 30. | 746-0897 | Drive Cable |
| 7. | 741-0563 | Ball Bearing | 31. | 748-0190 | Spacer |
| 8. | 736-0105 | Bell Washer | 32. | 684-0021 | Friction Wheel Bracket Assembly |
| 9. | 712-0116 | Lock Jam Nut | 33. | 732-0264 | Extension Spring |
| 10. | 741-0598 | Hex Flange Bearing | 34. | 712-0711 | Jam Nut 3/8-24 |
| 11. | 736-0188 | Flat Washer | 35. | 746-0898B | Drive Cable |
| 12. | 784-5689A | Front Support Guide Bracket | 36. | 738-0869 | Axle 13" Wheels |
| 13. | 710-0538 | Lock Hex Screw | | 738-0830 | Axle 16" Wheels |
| 14. | 736-0242 | Bell Washer .340 ID x .872 OD | 37. | 790-00010 | Friction Plate |
| 15. | 714-0474 | Cotter Pin | 38. | 735-0243B | Friction Wheel Rubber |
| 16. | 736-0160 | Flat Washer .536 ID x .930 OD | 39. | 718-0301A | Friction Wheel Hub |
| 17. | 710-0809 | Hex Washer Screw 1/4-20 | 40. | 618-0063A | Friction Wheel Bearing |
| 18. | 784-5590 | Frame Shift Bracket | 41. | 710-1652 | Tap Screw 1/4-20 |
| 19. | 784-5638 | Frame Cover | 42. | 712-0703A | Insert Nut 5/16-18 |
| 20. | 710-0599 | Hex Washer Screw 1/4-20 | 43. | 711-1364 | Clevis Pin |
| 21. | 736-0351 | Flat Washer .760 ID x .50 OD | 44. | 736-0142 | Flat Washer .281 ID x .50 OD |
| 22. | 717-1445 | Gear | 45. | 714-0507 | Cotter Pin |
| 23. | 714-0126 | Key | 46. | 790-00011 | Friction Plate |
| 24. | 717-1444 | 7-Tooth Shaft | | | |