



Owner's Manual

◆ SET-UP ◆ OPERATION ◆ MAINTENANCE



IMPORTANT: Read Safety Rules and Instructions Carefully.


CALLING CUSTOMER SUPPORT

- **LOCATE YOUR MODEL NUMBER AND SERIAL NUMBER** which appears on your unit and record the information in the space provided below.

IMPORTANT: You must have these numbers, along with the date and proof of purchase to receive warranty or service.

- If you are having difficulty assembling this product or if you have any questions regarding the controls, operation or maintenance of this unit, please call the Customer Support Department.
- Customer Support can be reached by dialing: **1-800-668-1238**
- Please have your model number and serial number ready when you call.

NOTE: Although both numbers are important, you will be asked to enter only your serial number before your call can be processed.

Model Number Numéro de modèle	Serial Number Numéro de série
XXXXXXXXXX	XXXXXXXXXX
 MTD PRODUCTS LIMITED KITCHENER, ON N2G 4J1 1-800-668-1238	


— This is where your model number will be, record Model Number here:

— This is where your serial number will be, record Serial Number here:

This unit has been inspected against the manufacturers quality check list. In case of a discrepancy, please call us. We will make every effort to ship the part(s) by courier within one working day of your call.

IMPORTANT SAFE OPERATION PRACTICES



WARNING: This symbol points out important safety instructions which, if not followed, could endanger the personal safety and/or property of yourself and others. Read and follow all instructions in this manual before attempting to operate this machine. Failure to comply with these instructions may result in personal injury. When you see this symbol—  heed its warning.



DANGER: This machine was built to be operated according to the rules for safe operation in this manual. As with any type of power equipment, carelessness or error on the part of the operator can result in serious injury. This machine is capable of amputating hands and feet and throwing objects. Failure to observe the following safety instructions could result in serious injury or death.

TRAINING

1. Read, understand, and follow all instructions on the machine and in the manual(s) before attempting to assemble and operate. Keep this manual in a safe place for future and regular reference and for ordering replacement parts.
2. Be familiar with all controls and their proper operation. Know how to stop the machine and disengage them quickly.
3. Never allow children under 14 years old to operate this machine. Children 14 years old and over should read and understand the operation instructions and safety rules in this manual and should be trained and supervised by a parent.
4. Never allow adults to operate this machine without proper instruction.
5. Thrown objects can cause serious personal injury. Plan your snow throwing pattern to avoid discharge of material toward roads, bystanders and the like.

6. Keep bystanders, helpers, pets and children at least 75 feet from the machine while it is in operation. Stop machine if anyone enters the area.
7. Exercise caution to avoid slipping or falling, especially when operating in reverse.

PREPARATION

1. Thoroughly inspect the area where the equipment is to be used. Remove all door mats, newspapers, sleds, boards, wires and other foreign objects which could be tripped over or thrown by the auger/impeller.
2. Always wear safety glasses or eye shields during operation and while performing an adjustment or repair to protect your eyes. Thrown objects which ricochet can cause serious injury to the eyes.
3. Do not operate without wearing adequate winter outer garments. Do not wear jewelry, long scarves or other loose clothing which could become entangled in moving parts. Wear footwear which will improve footing on slippery surfaces.
4. Use a grounded three wire extension cord and receptacle for all units with electric start engines.
5. Adjust collector housing height to clear gravel or crushed rock surfaces.
6. Disengage all clutch levers before starting the engine.
7. Never attempt to make any adjustments while engine is running, except where specifically recommended in the operator's manual.
8. Let engine and machine adjust to outdoor temperature before starting to clear snow.
9. To avoid personal injury or property damage use extreme care in handling gasoline. Gasoline is extremely flammable and the vapors are explosive. Serious personal injury can occur when gasoline is spilled on yourself or your clothes which can ignite. Wash your skin and change clothes immediately.
 - a. Use only an approved gasoline container.
 - b. Extinguish all cigarettes, cigars, pipes and other sources of ignition.

- c. Never fuel machine indoors.
- d. Never remove gas cap or add fuel while the engine is hot or running.
- e. Allow engine to cool at least two minutes before refueling.
- f. Never over fill fuel tank. Fill tank to no more than ½ inch below bottom of filler neck to provide space for fuel expansion.
- g. Replace gasoline cap and tighten securely.
- h. If gasoline is spilled, wipe it off the engine and equipment. Move machine to another area. Wait 5 minutes before starting the engine.
- i. Never store the machine or fuel container inside where there is an open flame, spark or pilot light (e.g. furnace, water heater, space heater, clothes dryer etc.).
- j. Allow machine to cool at least 5 minutes before storing.



OPERATION

1. Do not put hands or feet near rotating parts, in the auger/ impeller housing or discharge chute. Contact with the rotating parts can amputate hands and feet.
2. The auger/impeller clutch lever is a safety device. Never bypass its operation. Doing so, makes the machine unsafe and may cause personal injury.
3. The clutch levers must operate easily in both directions and automatically return to the disengaged position when released.
4. Never operate with a missing or damaged discharge chute. Keep all safety devices in place and working.
5. Never run an engine indoors or in a poorly ventilated area. Engine exhaust contains carbon monoxide, an odorless and deadly gas.
6. Do not operate machine while under the influence of alcohol or drugs.
7. Muffler and engine become hot and can cause a burn. Do not touch.
8. Exercise extreme caution when operating on or crossing gravel surfaces. Stay alert for hidden hazards or traffic.
9. Exercise caution when changing direction and while operating on slopes.

10. Plan your snow throwing pattern to avoid discharge towards windows, walls, cars etc. To avoid property damage or personal injury caused by a ricochet.
11. Never direct discharge at children, bystanders and pets or allow anyone in front of the machine.
12. Do not overload machine capacity by attempting to clear snow at too fast of a rate.
13. Never operate this machine without good visibility or light. Always be sure of your footing and keep a firm hold on the handles. Walk, never run.
14. Disengage power to the auger/impeller when transporting or not in use.
15. Never operate machine at high transport speeds on slippery surfaces. Look down and behind and use care when in reverse.
16. If the machine should start to vibrate abnormally, stop the engine, disconnect the spark plug and ground it against the engine. Inspect thoroughly for damage. Repair any damage before starting and operating.
17. Disengage all clutch levers and stop engine before you leave the operating position (behind the handles). Wait until the auger/impeller comes to a complete stop before unclogging the discharge chute, making any adjustments, or inspections.
18. Never put your hand in the discharge or collector openings. Always use the clean-out tool provided to unclog the discharge opening. Do not unclog discharge chute while engine is running.
19. Use only attachments and accessories approved by the manufacturer (e.g. wheel weights, tire chains, cabs etc.).
20. If situations occur which are not covered in this manual, use care and good judgment. Contact the customer support department.

MAINTENANCE AND STORAGE

1. Never tamper with safety devices. Check their proper operation regularly. Refer to the maintenance and adjustment sections of this manual.
2. Before cleaning, repairing, or inspecting machine disengage all clutch levers and stop engine. Wait until the auger/impeller come to a complete stop. Disconnect the spark plug wire and ground against the engine to prevent unintended starting.
3. Check bolts, and screws for proper tightness at frequent intervals to keep the machine in safe working condition. Also, visually inspect machine for any damage.
4. Do not change the engine governor setting or over-speed the engine. The governor controls the maximum safe operating speed of the engine.
5. Snowthrower shave plates and slide shoes are subject to wear and damage. For your safety protection, frequently check all components and replace with original equipment manufacturer's (OEM) parts only. "Use of parts which do not meet the original equipment specifications may lead to improper performance and compromise safety!"
6. Check clutch controls periodically to verify they engage and disengage properly and adjust, if necessary. Refer to the adjustment section in this operator's manual for instructions.
7. Maintain or replace safety and instruction labels, as necessary.
8. Observe proper disposal laws and regulations for gas, oil, etc. to protect the environment.
9. Prior to storing, run machine a few minutes to clear snow from machine and prevent freeze up of auger/impeller.
10. Never store the machine or fuel container inside where there is an open flame, spark or pilot light such as a water heater, furnace, clothes dryer etc.
11. Always refer to the operator's manual for proper instructions on off-season storage.

OWNER'S MANUAL		SAFETY LABEL		WARNING - Your Responsibility: Restrict the use of this power machine to persons who read, understand and follow the warnings and instructions in this manual and on the machine.
---------------------------	---	---------------------	---	---

ASSEMBLY INSTRUCTIONS

NOTE: The snowthrower is shipped with oil and **WITHOUT GASOLINE**. After assembly, refer to separate engine manual for proper fuel and engine oil recommendations.

NOTE: This Operator's Manual covers several models. **Snow thrower features vary by model.** Not all features discussed in this manual are applicable to all snow thrower models.

AUGER SHEAR BOLTS

The augers are secured to the spiral shaft with two shear bolts and hex flange locknuts. Two replacement hex bolts and hex flange locknuts have been provided for your convenience. Store in a safe place until needed.

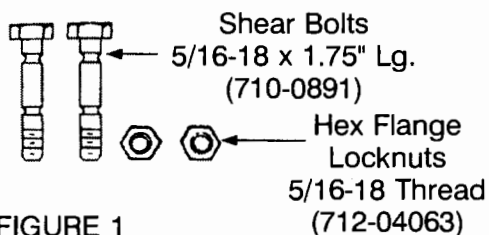


FIGURE 1

NOTE: Reference to right hand or left hand side of machine are observed from the operating position.

- Remove staples or break glue on the top flaps of the carton. Remove any loose parts included with unit (i.e., owner's manual, etc.).
- Cut along dotted lines and lay end of carton down flat. Remove packing material.
- Roll unit out of carton. Check carton thoroughly for loose parts or literature.
- Remove the **lower** two plastic wing nuts, cupped washers and carriage bolts from each side of the lower handle. See Figure 2.
- Raise the upper handle assembly until it locks over the lower handle. See Figure 2 and 3.

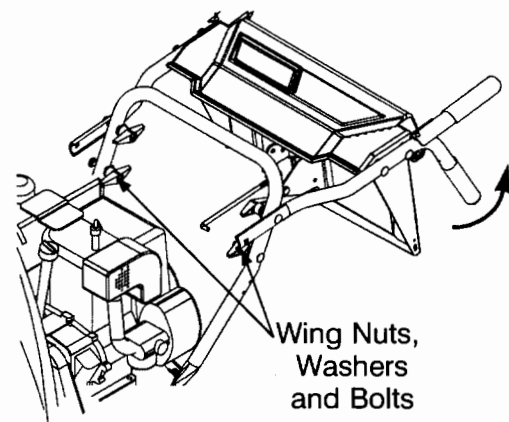


FIGURE 2

- Secure the upper handle and lower handle with the two plastic wing nuts, cupped washers and carriage bolts previously removed. See Figure 3.
- Slide the shift rod connector down over the end of the lower shift rod. See Figure 4. Tap the connector until it locks on the lower shift rod.

NOTE: If the connector is not properly assembled, the shift rod will pivot and you will not be able to shift gears or change directions.

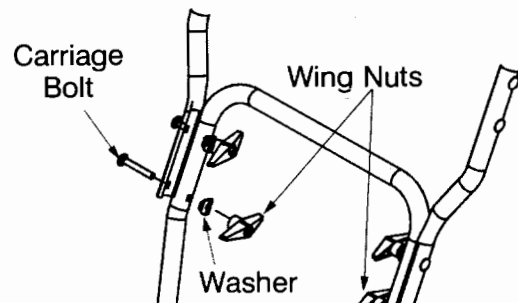


FIGURE 3

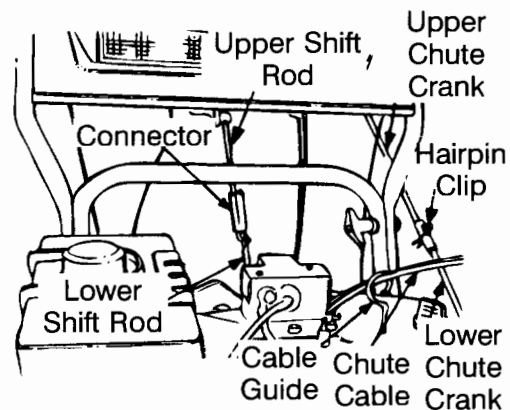


FIGURE 4

- Remove the hairpin clip from the end of the upper chute crank. Slide the upper chute crank into the lower chute crank. Align the holes, and secure with hairpin clip. See Figure 4.
- The cable ties normally are loosely installed on each side of the lower handle at the factory. Pull the cable ties tight to secure. Trim excess from the ends of cable ties.
- If not already attached, slip the cables that run from the handle panel to the chute into the cable guide located on top of the engine. See Figure 4.

FINAL ASSEMBLY AND ADJUSTMENTS

Slide Shoe Adjustment

The space between the shave plate and the ground can be adjusted. For close snow removal, place slide shoes in the low position. Use middle or high position when area to be cleared is uneven. See Figure 5.

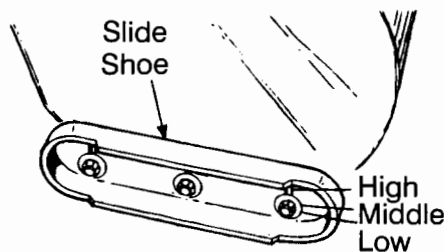


FIGURE 5

- Adjust slide shoes by loosening the hex nuts and carriage bolts and moving slide shoes to desired position. Make certain the entire bottom surface of slide shoe is against the ground to avoid uneven wear on the slide shoes. Tighten bolts securely.

CHUTE CLEAN-OUT TOOL

The chute clean-out tool is conveniently fastened to the rear of the auger housing with a mounting clip. Use the clean-out tool to clear snow and ice which may lodge in the discharge chute during operation. Refer to the Operation section for more detailed information regarding the chute clean-out tool.

LAMP WIRING CONNECTION (optional)

- Wrap the wire from the lamp down the right handle until the wire can be plugged into the alternator lead wire under the fuel tank.

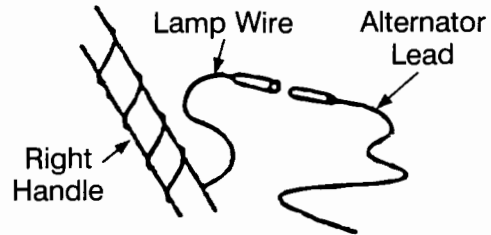


FIGURE 6

BEFORE STARTING

NOTE: The crankcase has been filled with oil and factory tested. Paint on the muffler may have burnt due to testing.

ATTENTION: YOU MUST CHECK OIL LEVEL BEFORE OPERATION. LEVEL MUST BE AT FULL MARK ON DIPSTICK BEFORE ENGINE IS STARTED.

Failure to follow this procedure may result in serious engine damage which will not be covered by warranty.

GAS AND OIL FILL-UP

Service the engine with gasoline and oil as instructed in the separate engine manual packed with your snowthrower. Read instructions carefully.

WARNING: Never fill fuel tank indoors. Never fill fuel tank with engine running or while engine is hot. Do not smoke when filling fuel tank.

CONTROLS

Control positions and information markings, on your machine are in international symbols, as explained.



Calls your attention to instructions concerning personal safety.



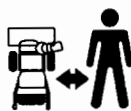
AUGER CLUTCH GRIP

Located on left hand handle. Squeeze to engage. Release to stop.



DRIVE CLUTCH GRIP

Located on right hand handle. Squeeze to engage. Release to stop.



Keep bystanders, helpers, pets and children at least 75 feet from the machine while it is in operation.



Avoid injury from rotating auger – keep hands, feet and clothing away.



Never put hand in chute. Contact with rotating parts can amputate fingers and hands. Use clean-out tool to unclog discharge chute.

OPERATION

TO START ENGINE

- Make certain the metal loop on the end of the spark plug wire (inside the boot) is fastened securely over the metal tip on the spark plug. See Figure 6.
- Make certain the auger and drive clutch levers are in the disengaged (released) position.

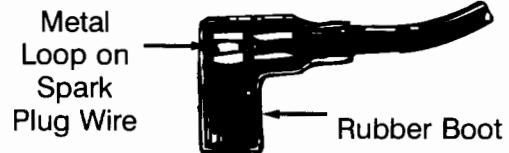
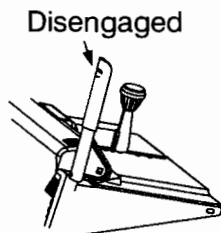


FIGURE 7

ENGINE WILL NOT START UNLESS IGNITION KEY IS INSERTED INTO IGNITION SLOT IN CARBURETOR COVER. DO NOT TURN IGNITION KEY.

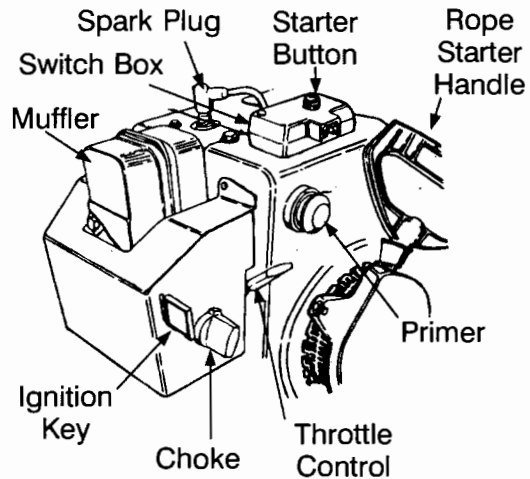


FIGURE 8 - Your engine may be slightly different from the engine shown .



- Move throttle control up to FAST position. Insert ignition key into slot. See Figure 8. Be certain it snaps into place. Do not turn key.

Electric Starter (Optional)



WARNING: The optional electric starter is equipped with a three-wire power cord and plug, and is designed to operate on 120 volt AC Household current. It must be properly grounded at all times to avoid the possibility of electric shock which may be injurious to the operator.

Follow all instructions carefully. Determine that your house wiring is a three wire grounded system. Ask a licensed electrician if you are not certain. If your house wiring system is not a three-wire grounded system, do not use this electric starter under any conditions. If your system is grounded and a three hole receptacle is not available at the point your starter will normally be used, one should be installed by a licensed electrician.

When connecting the power cord, always connect cord to starter on engine first, then plug the other end into a three-hole grounded receptacle.

When disconnecting the power cord, always unplug the end from the three-hole grounded receptacle first.

- Rotate choke knob to FULL choke position.
- Push primer button two or three times as instructed in the separate engine manual. See Figure 8.

NOTE: Always cover vent hole in primer button when pushing. Additional priming may be necessary for first start if temperature is below 15°F (-9°C).

- Connect power cord to switch box on engine. Plug the other end of power cord into a three-hole, grounded 120 volt AC receptacle.
- Push starter button to crank engine. See Figure 8.
- When engine starts, release starter button, and move choke gradually to OFF. If engine falters, move choke immediately to FULL and then gradually to OFF.

Recoil Starter:

- Rotate choke knob to FULL choke position (cold engine start).
If engine is warm, place choke in OFF position instead of FULL.
- Push primer button two or three times as instructed in the separate engine manual. See Figure 8.
If engine is warm, push primer button once only.

NOTE: Always cover vent hole in primer button when pushing. Additional priming may be necessary for first start if temperature is below 15°F.

- Grasp starter handle (see Figure 8) and pull rope out slowly, until it pulls slightly harder. Let rope rewind slowly.
- Pull starter handle rapidly. Do not allow handle to snap back. Allow it to rewind slowly while keeping a firm hold on the starter handle. Repeat until engine starts.
- As engine warms up and begins to operate evenly, rotate choke knob slowly to OFF position. If engine falters, return to FULL choke, then slowly move to OFF position.

TO STOP ENGINE

- Run engine for a few minutes before stopping to help dry off any moisture on the engine.
- To help prevent possible freeze-up of starter, proceed as follows:

Optional Electric Starter: Connect power cord to switch box on engine, then to 120 volt AC receptacle. With the engine running, push starter button and spin the starter for several seconds. The unusual sound made by spinning the starter will not harm engine or starter. Disconnect the power cord from receptacle first, and then from switch box.

Recoil Starter: With engine running, pull starter rope with a rapid, continuous full arm stroke three or four times. Pulling the starter rope will produce a loud clattering sound, which is not harmful to the engine or starter.

- To stop engine, remove the ignition key. Do not turn key. Disconnect the spark plug wire from the spark plug to prevent accidental starting while equipment is unattended.

NOTE: Do not lose ignition key. Keep it in a safe place. Engine will not start without the ignition key.

- Wipe all snow and moisture from the carburetor cover in the area of the con-

trol levers. Also, move control levers back and forth several times.

TO ENGAGE DRIVE

- With the engine running near top speed, move shift lever into one of the possible FORWARD or REVERSE positions. Select a speed appropriate for the snow conditions that exist. Use the slower speeds until you are familiar with the operation of the snowthrower.
- Squeeze the left hand auger clutch grip and engage it.
- While the left hand auger clutch grip is engaged, engage the right hand drive clutch grip.
- Release the left hand auger clutch grip only. The interlock mechanism should keep the left hand clutch engaged until the right hand clutch is released.

NOTE: Never move shift lever without first releasing the drive clutch.

CHUTE CLEAN-OUT TOOL



WARNING: Stop the engine by removing the ignition key and wait for ALL moving parts to stop, before using the clean-out tool.

The chute clean-out tool is conveniently fastened to the rear of the auger housing with a mounting clip. Should snow and ice lodge itself in the discharge chute during operation, proceed as follows to safely clean the chute and chute opening:

- Release both auger and drive clutch grips.
- Stop the engine by removing the ignition key.
- Remove the clean-out tool from the clip which secures it to the rear of the auger housing.
- Use the shovel-shaped end of the clean-out tool to dislodge and scoop any snow and ice which has formed in and near the discharge chute.



WARNING: Never use your hands to clean snow and ice from the discharge chute or auger housing.

- Refasten the clean-out tool to the mounting clip on the rear of the auger housing, reinsert the ignition key and start the snow thrower's engine.
- While standing in the operator's position (behind the snow thrower), engage the auger clutch lever for a few seconds to clear any remaining snow and ice from the discharge chute.

TIRE PRESSURE

Pneumatic tires only. Tires are over-inflated for shipping purposes. Correct tire pressure is 10-15 psi.

OPERATING TIPS

NOTE: Allow the engine to warm up for a few minutes as the engine will not develop full power until it reaches operating temperature.



WARNING: Temperature of muffler and surrounding areas may exceed 150°F. Avoid these areas.

- For most efficient snow removal, remove snow immediately after it falls.
- Discharge snow downwind whenever possible. The distance snow is thrown can be adjusted by adjusting the angle of the chute assembly. The sharper the angle, the shorter the distance snow is thrown. Slightly overlap each previous swath.
- Set the slide shoes 1/4" below the scraper bar for normal usage. The slide shoes may be adjusted upward for hard-packed snow. Adjust downward when using on gravel or crushed rock.
- Be certain to follow the precautions listed under previous section, "To Stop Engine" to prevent possible freeze up.
- Clean the snowthrower thoroughly after each use.

ADJUSTMENTS

⚠ WARNING: NEVER attempt to clean chute or make any adjustments while engine is running.

REMOTE CHUTE ASSEMBLY ADJUSTMENT

The remote chute control cables have been pre-adjusted at the factory. Move the remote chute lever on the control panel back and forward to adjust angle of the chute assembly.

CARBURETOR ADJUSTMENT

Minor carburetor adjustment may be required to compensate for differences in fuel, temperature, altitude and load.

Refer to the separate engine manual packed with your unit for carburetor adjustment information.

***NOTE:** Failure to comply with suggested maintenance and lubrication specifications will void warranty.*

CHECK ADJUSTMENT OF CLUTCH CABLES

Proper adjustment is achieved by sliding the spring up the cable and threading the nut in or out. Correct adjustment on cables is minimal slack but not tight.

AUGER BELT ADJUSTMENT

Periodic adjustment of the belt tension may be required due to normal stretch and wear on the belt. Increase belt tension if the augers hesitate while the augers are engaged or decrease tension if the the augers continue to turn when the augers are disengaged. To adjust, disconnect ferrule from the brake bracket assembly (Figure 16) and thread ferrule in (towards idler) to increase tension on belt, out to decrease tension.

SHIFT ROD ADJUSTMENT

- To adjust the shift rod, remove the cotter pin which secures the ferrule to the shift lever.
- Place the shift lever in the fastest forward position. Push the shift rod down

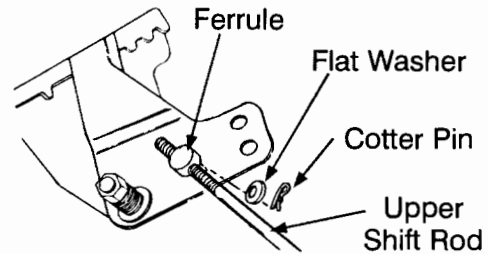


FIGURE 9

sharply, as far as it will go, to put the drive into the fastest forward position. Thread the ferrule in or out on the shift rod as necessary until the ferrule lines up with the upper hole in the shift lever. Insert ferrule from the right side of the snowthrower into upper hole in shift lever and secure with flat washer and internal cotter pin. See Figure 9.

SLIDE SHOE ADJUSTMENT

The space between the shave plate and the ground can be adjusted. Refer to "Final Assembly and Adjustment".

LUBRICATION

WHEELS

Oil or spray lubricant into bearings at wheels at least once a season. Remove wheels, clean and coat axles with a multi-purpose automotive grease.

CHAINS AND SHIFTING MECHANISM

Remove rear cover. Oil all chains, sprockets, bearings, the hexagonal shaft, round shaft and shifting mechanism at least once a season. Use engine oil or a spray lubricant. Avoid getting oil on rubber friction wheel and aluminum drive plate.

CHUTE CRANK WORM

The worm gear on the chute direction crank should be greased with multi-purpose automotive grease.

AUGER SHAFT

Remove auger bolts on auger shaft, see See Figure 11. Oil or spray lubricant inside shaft.

ENGINE

Refer to engine manual for engine lubrication instructions.

! WARNING: When following instructions in separate engine manual for draining oil, be sure to protect frame to avoid oil dripping onto transmission parts.

HEX SHAFT

Lubricate the gear (hex) shaft with a light weight cold weather lubricant at least once a season or after every 25 hours of operation.

IMPORTANT: Keep all grease and oil off of the rubber friction wheel and aluminum drive plate.

If for any reason your transmission was disassembled and the auger cable disconnected, reassemble routing the cable so it does not interfere with any moving parts when pulled tight.

MAINTENANCE

! WARNING: Disconnect the spark plug wire and ground against the engine before performing any repairs or maintenance

AUGERS

The augers are secured to the spiral shaft with two shear bolts and hex locknuts. See Figure 11. If you hit a foreign object or ice jam, the snowthrower is designed so that the shear bolts will shear.

If the augers will not turn, check to see if the hex bolts have sheared. Two replacement hex bolts and hex lock nuts have been provided with the snowthrower. When replacing bolts, spray an oil lubricant into shaft before inserting new bolts.

SHAVE PLATE AND SLIDE SHOES

The shave plate and slide shoes on the bottom of the snowthrower are subject to wear. They should be checked periodically and replaced when necessary.

MAINTENANCE and LUBRICATION CHECK LIST

	After First 2 Hours	After 5 Hours	Frequently	Beginning Each Season	Before Storage
Check engine oil level		•		•	
Change engine oil	•			•	
Tighten all screws and nuts			•		
Check spark plug				•	
Lubricate chute opening				•	
Lubricate wheel axle				•	
Lubricate wheel bearings				•	
Lubricate chains, bearings, and hex shaft				•	•
Check wear on friction wheel rubber				•	
Check auger pulley(s) and auger drive belts			•		

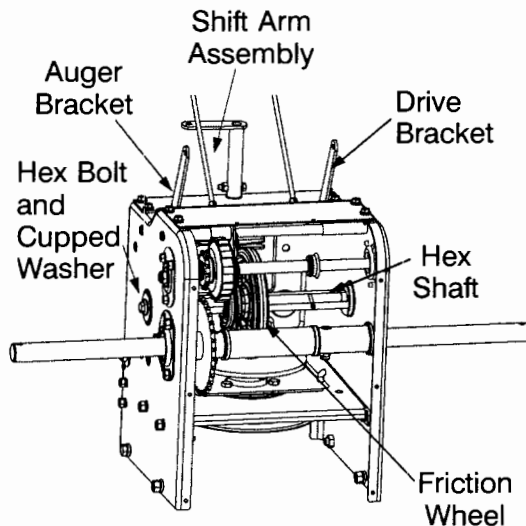


FIGURE 10

NOTE: Some models are equipped with reversible slide shoes.

To remove slide shoes, remove the carriage bolts, cupped washers and hex nuts which attach them to the snowthrower. Reassemble new slide shoes with the carriage bolts, cupped washers (cupped side goes against slide shoes) and hex nuts.

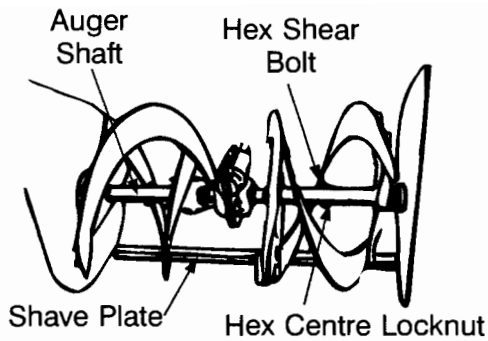


FIGURE 11

To remove shave plate, remove slide shoes as previously instructed, remove the carriage bolts, cupped washers and hex nuts which attach it to the snowthrower housing. Reassemble new shave plate, making sure heads of the carriage bolts are to the inside of the housing. Tighten securely.

BELT REMOVAL AND REPLACEMENT

WARNING: Remove the spark plug wire from the spark plug and ground. Drain gasoline from the fuel tank, or place a piece of plastic film underneath the gas cap to prevent gasoline from leaking.

Auger Drive Belt

To remove and replace either the auger drive belt or the drive belt, proceed with the following instructions.

- Disconnect chute crank assembly at the discharge chute by removing the cotter pin and flat washer. See Figure 12.

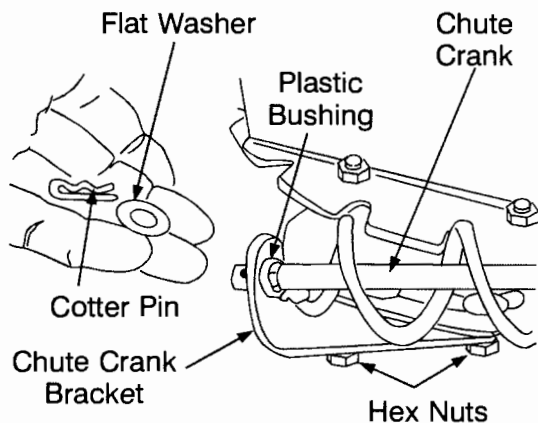


FIGURE 12

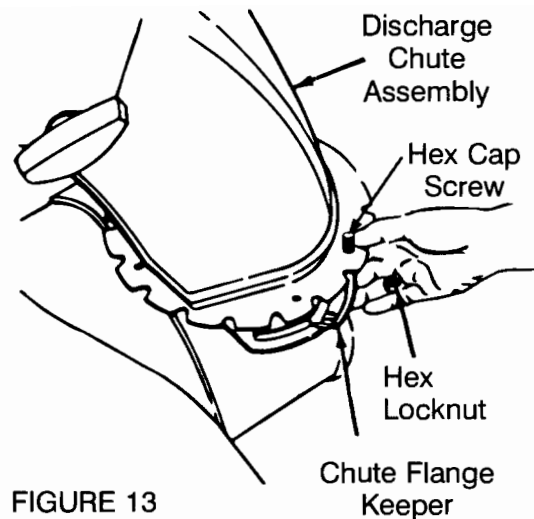


FIGURE 13

- Remove the chute assembly by removing the hex cap screws, chute flange keepers and hex locknuts. See Figure 13.
- Remove the plastic belt cover on the front of the engine by removing three self-tapping screws and flat washers. See Figure 14.

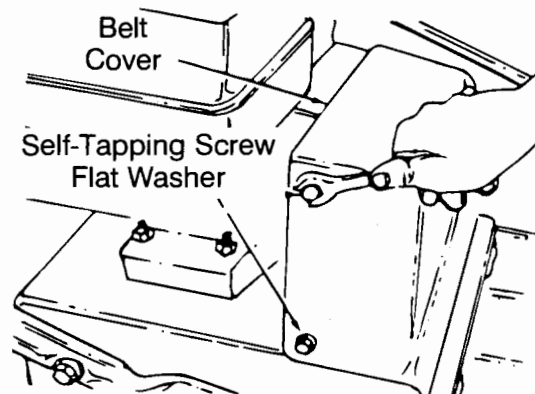


FIGURE 14

- Remove the large shoulder bolt and washer on the left hand side of the engine pulley with an adjustable wrench. See Figure 15.

NOTE: Reference to right hand or left hand side of machine are observed from the operating position.

- Remove the cotter pin and washer from the ferrule in order to disconnect the auger idler rod from the brake bracket assembly as shown in Figure 16.
- Slip the auger drive belt (the front belt) off the engine pulley. See Figure 18.

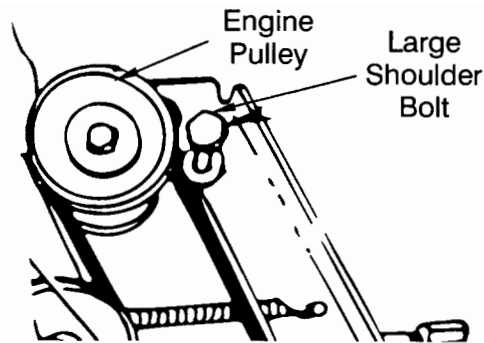


FIGURE 15

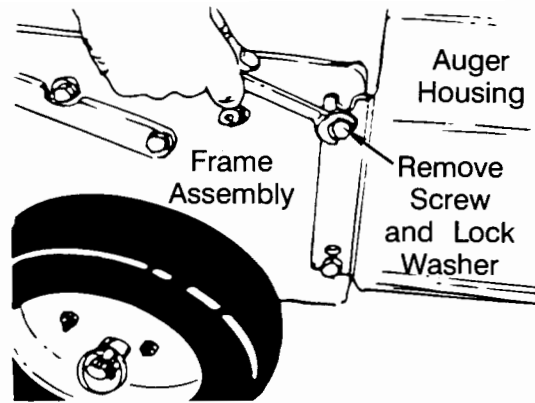


FIGURE 17

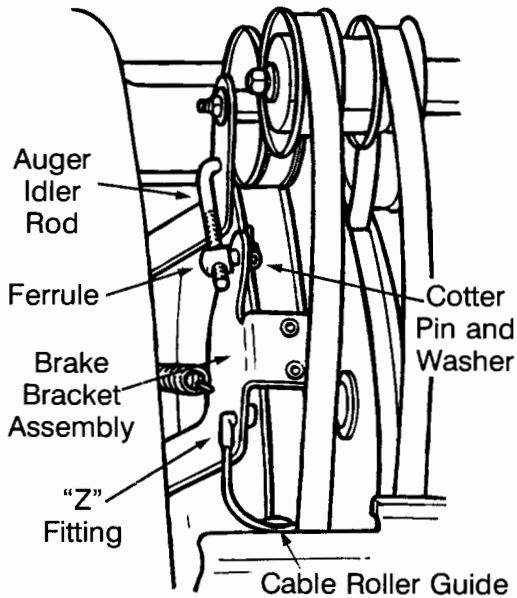


FIGURE 16

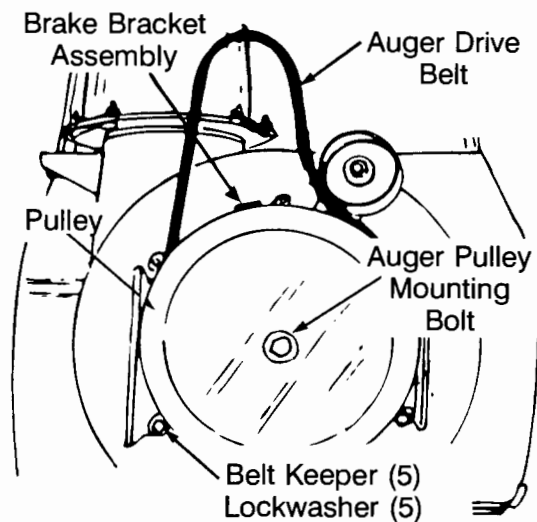


FIGURE 18

- Pull the brake bracket assembly towards the cable guide roller and unhook the auger cable "Z" fitting. See Figure 16.
- Remove the top screws and lockwashers which attach the auger housing assembly to the frame assembly. A 9/16" wrench is required. See Figure 17.
- Separate the auger housing from the frame assembly by tilting the housing forward and pulling up the handles.
- Rest the handle assembly on the ground and tip the remaining half forward to rest on the housing.

To Remove the Auger Drive Belt:

- Using a 9/16" wrench remove the five belt keepers and lockwashers from around the auger pulley. See Figure 18.
- Remove and replace auger drive belt.
- Replace lockwashers and belt keepers.

NOTE: The auger pulley mounting bolt has chemical patch which sets after bolt is assembled. If the bolt is removed for any reason it must be replaced.

NOTE: The brake puck in the brake bracket assembly must always be firmly seated in the pulley groove when the auger clutch lever is in the disengaged position.

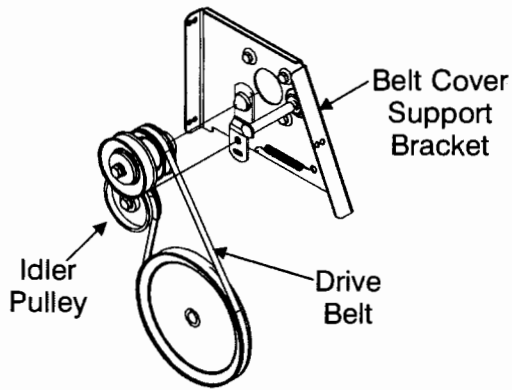


FIGURE 19

NOTE: See Adjustment section for "Auger Belt Adjustment".

To Remove the Drive Belt:

- a. Pull idler pulley away from belt. See Figure 19.
 - b. Remove drive belt from the engine pulley and bottom drive pulley.
 - c. Replace belt and reassemble in reverse order.
- Reassemble the two halves of the unit hooking the lower portion of the auger housing over the stationary shoulder bolts in the frame assembly.
 - Secure the two halves with the two screws and lockwashers.
 - Attach the "Z" fitting of the cable into the brake bracket assembly. See Figure 16.
 - Slip the auger drive belt over engine pulley.
 - Insert ferrule on auger idler rod into bracket assembly and secure with flat washer and cotter pin.
 - Reassemble the large shoulder bolt and lockwasher as shown in Figure 15.
 - Reassemble belt cover, chute assembly and chute crank.
- Remove plastic film from gas cap.

Changing the Friction Wheel

The rubber on the friction wheel is subject to wear and should be checked after 25 hours of operation, and periodically thereafter. Replace the friction

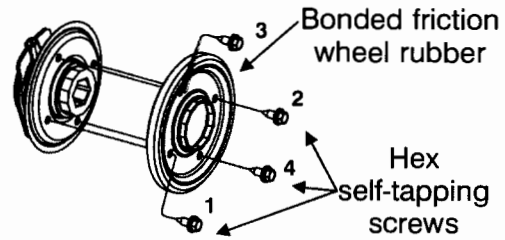


FIGURE 20

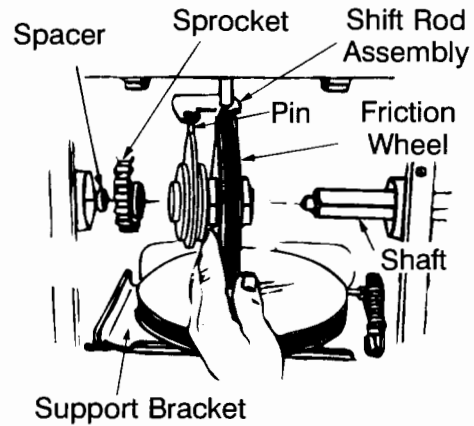


FIGURE 21

- wheel rubber if any signs of wear or cracking are found.
- Drain the gasoline from the snowthrower, or place a piece of plastic under the gas cap.
- Tip the snowthrower up and forward, so that it rests on the housing.
- Remove six self-tapping screws from the frame cover underneath the snowthrower and remove cover.
- Remove the wheels from the axle.
- Using a 7/8" wrench hold the hex shaft and remove the hex bolt and cupped washer and bearing from left side of the frame. See Figure 10. Hold the friction wheel assembly, and slide the hex shaft out of the unit toward the right hand side.
- Remove the four screws from the friction wheel assembly and remove the bonded friction wheel.
- Reassemble new bonded friction wheel rubber to the friction wheel assembly, turn each screw approximately 2 turns in order shown in Figure 20 until screws

are tight. **It is important for the rubber to be assembled symmetrically.**

- Position the friction wheel assembly up onto the pin of the shift rod assembly and slide the shaft through the friction wheel. See Figure 21.
- Slide the hex shaft into the hex I.D. of the sprocket, the spacer and the left ball bearing and secure with the cupped washer and hex bolt.
- Remove plastic film from gas cap.

NOTE: *Make sure the pin from the shift arm assembly is assembled to the new friction wheel assembly.*

CAUTION: **Check engine and snowthrower frequently for loose nuts, bolts, etc. and keep these items tightened.**

STORAGE INSTRUCTIONS



NEVER STORE ENGINE WITH FUEL IN TANK INDOORS OR IN ENCLOSED, POORLY VENTILATED ENCLOSURES, WHERE FUEL FUMES MAY REACH AN OPEN FLAME OR SPARK.

If unit is to be stored over 30 days, prepare for storage as instructed in the separate engine manual packed with your unit.

NOTE: *Failure to comply with suggested maintenance and lubrication specifications will void warranty.*

TROUBLE SHOOTING

PROBLEM	POSSIBLE CAUSE(S)	CORRECTIVE ACTION
Engine fails to start	<ol style="list-style-type: none"> 1. Fuel tank empty, or stale fuel. 2. Blocked fuel line. 3. Choke not in the FULL position. 4. Faulty spark plug. 5. Safety key not in ignition switch on engine. 6. Spark plug wire disconnected. 7. Primer button not being used properly. 8. Fuel shut-off valve closed. 	<ol style="list-style-type: none"> 1. Fill tank with clean, fresh gasoline. Fuel becomes stale after thirty days. 2. Clean the fuel line. 3. Move switch to the FULL position. 4. Clean, adjust gap or replace. 5. Insert the key fully into the switch. 6. Connect spark plug wire. 7. Refer to the engine manual. 8. Open fuel shut-off valve.
Engine runs erratic	<ol style="list-style-type: none"> 1. Unit running on CHOKE. 2. Blocked fuel line or stale fuel. 3. Water or dirt in the fuel system. 	<ol style="list-style-type: none"> 1. Move the choke lever to OFF position. 2. Clean the fuel line; fill the tank with clean, fresh gasoline. 3. Drain the fuel tank and carburetor. Refill with fresh fuel.
Loss of power	<ol style="list-style-type: none"> 1. Spark plug wire loose. 2. Gas cap vent hole plugged. 	<ol style="list-style-type: none"> 1. Connect and tighten spark plug wire. 2. Remove ice and snow from gas cap. Be certain vent hole is clear.
Excessive vibration	<ol style="list-style-type: none"> 1. Loose parts or damaged auger. 	<ol style="list-style-type: none"> 1. Stop the engine immediately and disconnect the spark plug wire. Tighten all bolts and nuts. If vibration continues, have the unit serviced by an authorized service dealer.
Unit fails to drive properly	<ol style="list-style-type: none"> 1. Drive control cable in need of adjustment. 2. Drive belt loose or damaged. 	<ol style="list-style-type: none"> 1. Adjust drive control cable. Refer to Adjustment Section of this manual. 2. Replace drive belt. Refer to Belt Removal and Replacement.
Unit fails to discharge snow	<ol style="list-style-type: none"> 1. Discharge chute clogged. 2. Shear bolt sheared. 3. Foreign object lodged in auger. 4. Auger control cable in need of adjustment. 5. Auger belt loose or damaged. 	<ol style="list-style-type: none"> 1. Stop engine and disconnect spark plug wire. Clean discharge chute and inside of auger housing with tool provided. 2. Replace shear bolt. 3. Stop engine immediately and disconnect spark plug wire. Remove object from auger. 4. Adjust auger control cable. Refer to Adjustment section of this manual. 5. Refer to Belt Removal and Replacement.
Heated grips are not creating heat	<ol style="list-style-type: none"> 1. Unit is not running. 2. Loosen electrical connections. 3. Blown Fuse. 4. Faulty grip. If one heated grip fails, both grips will not function. 	<ol style="list-style-type: none"> 1. Start the unit 2. Under the handle panel, check connections from the handles to the wiring harness. 3. Replace 5A fuse under the handle panel near crank switch connector. 4. Have the grips checked at an authorized service dealer.

TWO YEAR LIMITED WARRANTY

For **TWO YEARS** from the date of retail purchase within Canada, **MTD PRODUCTS LIMITED** will, at its option, repair or replace, for the original purchaser, free of charge, any part or parts found to be defective in material or workmanship.

This warranty does not cover:

1. Any part which has become inoperative due to misuse, commercial use, abuse, neglect, accident, improper maintenance or alteration; or
2. The unit if it has not been operated and/or maintained in accordance with the owner's instructions furnished with the unit; or
3. The engine or motor or component parts thereof which carry separate warranties from their manufacturers. Please refer to The applicable manufacturer's warranty on these items; or
4. Batteries and normal wear parts except as noted below. Log splitter pumps, valves and cylinders or component parts thereof are covered by a one year warranty; or
5. Routine maintenance items such as lubricants, filters, blade sharpening and tune-ups, or adjustments such as brake, clutch or deck; or
6. Normal deterioration of the exterior finish due to use or exposure.

Full Ninety Day Warranty on Battery: For ninety (90) days from the date of retail purchase, if any battery included with this unit proves defective in material or workmanship and our testing determines the battery will not hold a charge, MTD PRODUCTS LIMITED will replace the battery at no charge to the original purchaser.

Additional Limited Thirty Day Warranty on Battery: After ninety (90) days but within one hundred twenty (120) days from the date of purchase, MTD PRODUCTS LIMITED will replace the defective battery, for the original purchaser, for a cost of one-half (1/2) of the current retail price of the battery in effect at the date of return.

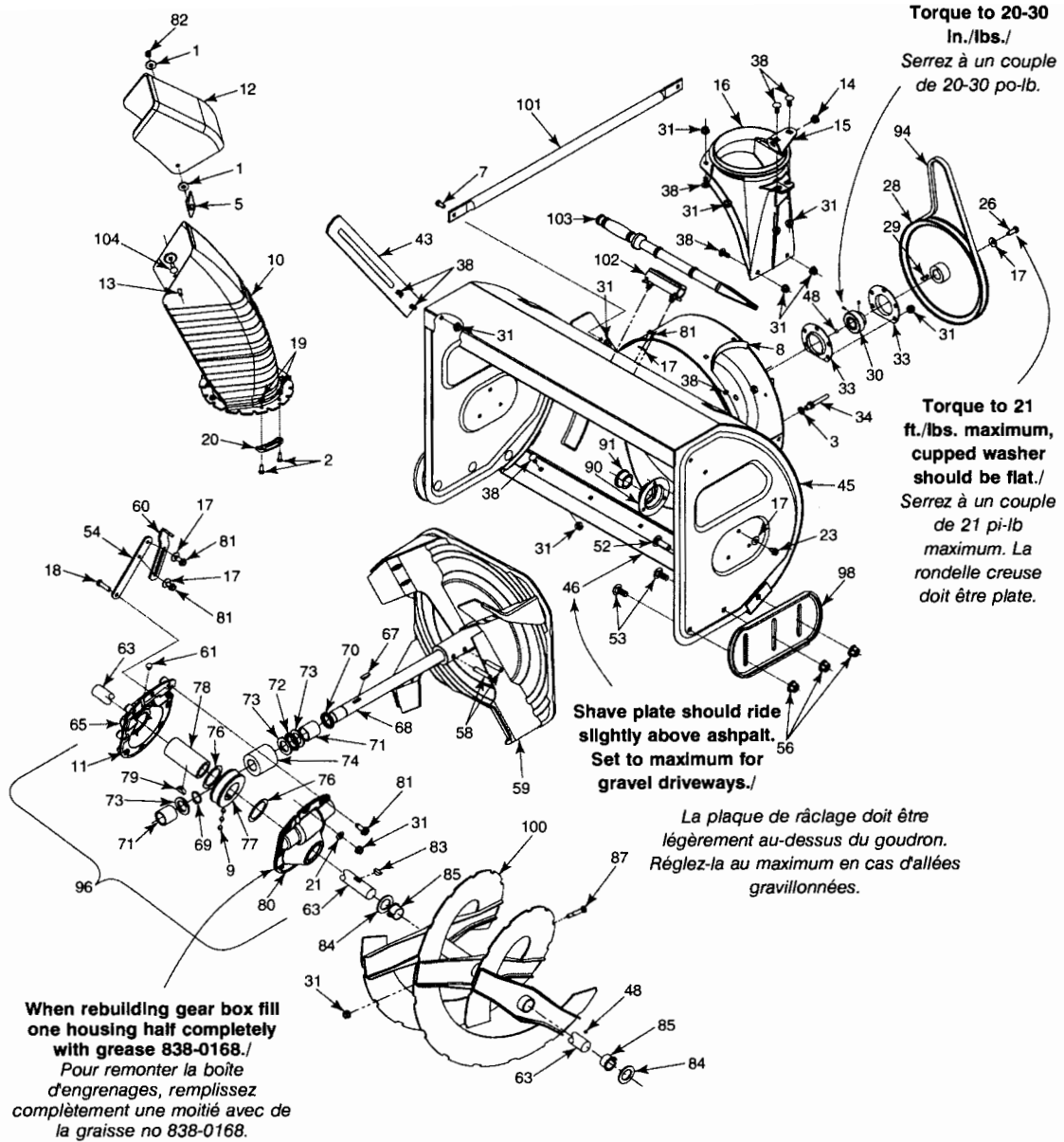
Full Sixty Day Warranty on Normal Wear Parts: Normal wear parts are defined as belts, blade adapters, blades, grass bags, seats, tires, rider deck wheels and clutch parts (friction wheels). These parts are warranted to the original purchaser to be free from defects in material and workmanship for a period of sixty (60) days from the date of retail purchase.

How to Obtain Service: Warranty service is available, with proof of purchase, through your local authorized service dealer or distributor. If you do not know the dealer or distributor in your area, please call, toll free 1-800-668-1238. The return of a complete unit will not be accepted by the factory unless prior written permission has been extended by MTD PRODUCTS LIMITED.

Transportation Charges: Transportation charges for the movement of any power equipment unit or attachment are the responsibility of the purchaser. Transportation charges for any part submitted for replacement under this warranty must be paid by the purchaser unless such return is requested in writing by MTD PRODUCTS LIMITED.

Other Warranties: All other warranties, express or implied, including any implied warranty of merchantability is limited in its duration to that set forth in this express limited warranty. The provisions as set forth in this warranty provide the sole and exclusive remedy of MTD PRODUCTS LIMITED obligations arising from the sale of its products.

MTD PRODUCTS LIMITED will not be liable for incidental or consequential loss.



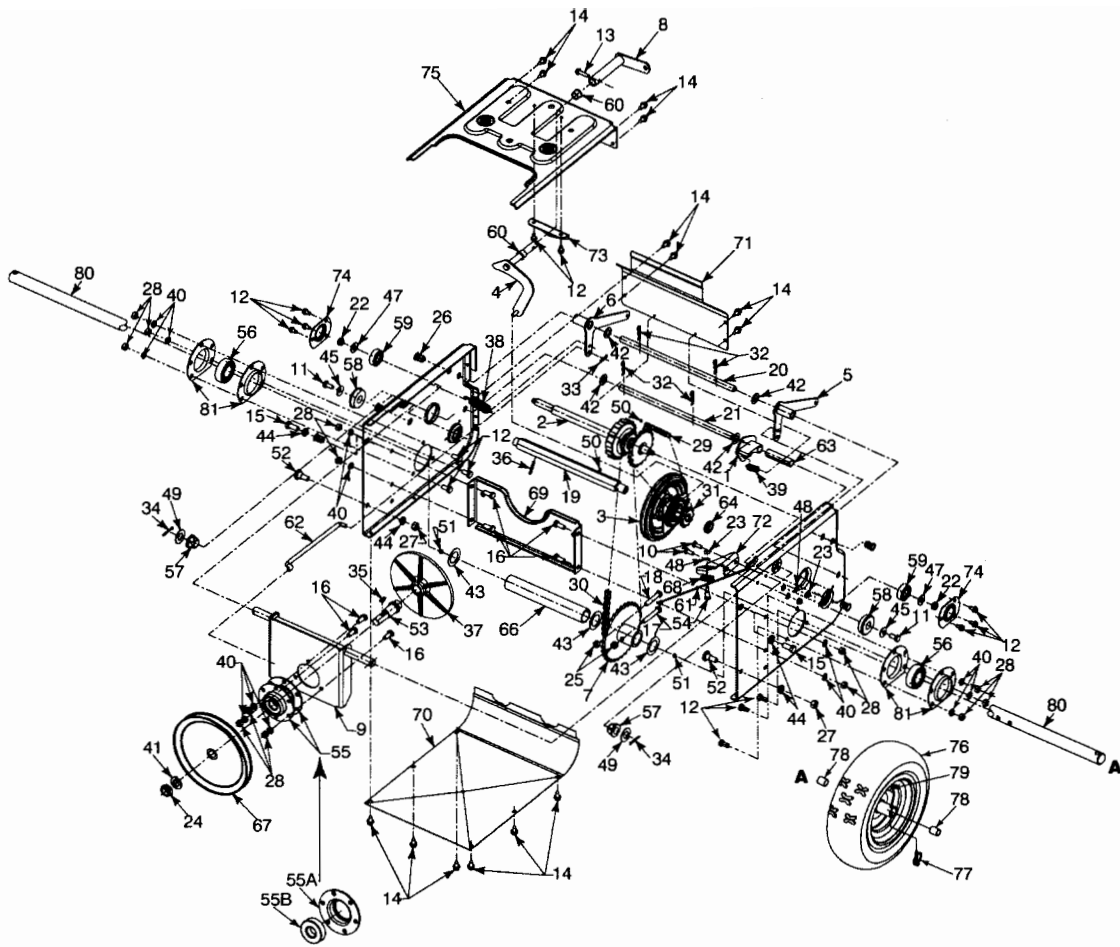
REF NO. N° DE RÉF	PART NO. N° DE PIÈCE	DESCRIPTION	DESCRIPTION
1	736-0159	Flat Washer .344 ID x .875 OD	Rondelle plate .344 DI x .875 DE
2	710-0597	Hex. Scr. 1/4-20 x 1.00 Gr. 5	Vis à tête hex. 1/4-20 x 1.00 po de lg. Qual. 5
3	736-0169	Lockwasher 3/8" ID	Rondelle frein 3/8" DI
5	720-0284	Handle Knob Assembly	Bouton
7	710-3008	Hex Hd Cap Scr. 5/16-18 x .75 Gr. 5	Vis à tête hex. 5/16-18 x .75 Qual. 5
8	784-5711	Chute Bracket	Support d'évacuation
9	737-0168	Shell Alvania Grease (3 oz.)	Graisseur (3oz.)
10	731-0903D	Extended Lower Black Plastic Chute	Partie inf. noir de la bouche d'évacuation plastique
11	721-0328	Ultra Grey Loctite #5699	Loctite n°. 5699
12	731-0846C	Upper Black Plastic Chute	Partie sup. noir de la bouche d'évacuation
13	710-0276	Carriage Bolt 5/16-18 x 1.00" Lg	Boulon ordinaire 5/16-18 x 1.00 po de lg
14	741-0475	Plastic Bushing .380 ID	Coussinet plastique .380 DI
15	784-5123	Chute Brkt.	Support de la bouche d'évacuation
16	731-1696A	Chute Adapter	Adaptateur

Continued on next page/Suite à la page prochaine

REF NO. N° DE RÉF	PART NO. N° DE PIÈCE	DESCRIPTION	DESCRIPTION
17	736-0242	Cupped Washer .345 ID x .88 OD x .06	Rondelle creuse .345 DI x .88 DE x .06
18	710-0528	Hex Screw 5/16-18 x 1.25	Vis à tête hex. 5/16-18 x 1.25
19	712-3027	Hex Cent. L-Nut 1/4-20 w/flange Gr. F	Contre-écrou hex à embase 1/4-20 Qual. F
20	731-0851A	Chute Flange Keeper	Garde-bride de la goulotte
22	712-3004A	Flange L-Nut 5/16-18 Gr. 5 Nylon	Contre-écrou à embase 5/16-18
21	736-0271	Lockwasher 5/16" ID	Rondelle frein 5/16 DI
23	710-0726	Hex Wash HD Tap Scr 5/16-18 x .75	Vis à tête hex et rondelle 5/16-18 x .75
26	710-0371	Hex Screw 5/16-18 x .88	Vis à tête hexagonale 5/16-18 x .88
28	756-0243	1/2" V-Pulley .875 ID x 10.12 OD	Poulie de 1/2 po .875 DI x 10.12 DE
29	714-0126	#9 HI-Pro Key 3/16 x 3/4 Dia HT	Clavette Hi-Pro n° 9 - 3/16 x 3/4 diam
30	741-0185	Self-Aligning Bearing .875 ID	Roulement autoaligner .875 DI
31	712-04063	Hex Flg. L-Nut 5/16-18 Gr. F Nylon	Contre-écrou à embase 5/16-18 Qual. F nylon
33	05244A	Bearing Housing	Boîtier de roulement
34	711-0640	Belt Keeper Studs 3/8-16 x 2.75	Goujons du protecteur de la courroie 3/8-16 x 2.75
38	710-0451	Carriage Bolt 5/16-18 x .75	Boulon ordinaire 5/16-18 x .75
43	05139A	Drift Cutter	Virole de réglage
45	*	Snowthrower Housing Ass'y	Logement du chasse-neige
46	*	Shave Plate	Grattoir
48	737-0318	Arctic Grease	Graisse Arctic
52	710-3168	Carriage Bolt 3/8-16 x 1.00 Gr. 5	Boulon ordinaire 3/8-16 x 1.00 Qual. 5
53	710-0389	Carriage Bolt 3/8-16 x .75" Lg.	Boulon ordinaire 3/8-16 x .75
54	784-5710	Gear Housing Support Plate 1 x 3/16	Support du carter d'engrenages 1 x 3/16 x 4-3/8
56	712-04065	Hex Flange L-Nut 3/8-16 Gr. F Nylon	Contre écrou hex 3/8-16 Qual. F nylon
58	715-0118	Spring Spirol Pin Heavy - 5/16 dia x 1.7	Goupille en spirale 5/16 dia x 1.75 po de lg
59	684-0090A	Blower Fan Ass'y Complete	Ventilateur du chasse-neige complet
60	784-5076	Gear Housing Support Bracket	Support du carter d'engrenage
61	721-0325	Barbed Plug	Bouchon
63	*	Spiral Axle	Essieu en spirale
65	618-0246	Gear Housing Half - RH	Carter d'engrenage au moitié - droit
67	714-0126	#9 HI-Pro Key 3/16 x 3/4 Dia HT	Clavette Hi-Pro n° 9 - 3/16 x 3/4 diam
68	711-1133	Auger Drive Shaft	Arbre d'entraînement
69	716-0111	Snap Ring for .875 dia. shaft	Jonc d'arrêt pour arbre de .875 dia.
70	721-0145	Oil seal for .875 ID Garlock (76 x 6133)	Joint d'étanchéité d'huile (76 x 6133)
71	741-0217	Sleeve Bearing .875 ID	Palier à douille .875 DI
72	741-0184	Thrust Bearing .88 ID x 1.44 OD x .078	Palier à butée .88 DI x 1.44 DE x .078
73	736-0291	Flat Washer .88 ID x 1.4 OD x .125	Rondelle plate .88 DI x 1.4 DE x .125
74	717-0299	Worm Gear LH Double Thread	Vis sans fin à double filetage gauche
76	736-0266	Fiat Washer 1.5 ID x 2.0 OD x .03	Rondelle plate 1.5 DI x 2.0 DE x .03
77	717-1425	Worm Gear LH Double Thread (Bronze)	Vis sans fin à double filetage - gauche bronze
78	738-0275	Worm Gear Shaft	Support du carter d'engrenage
79	714-0135	#91 Woodruff Key 1/4 x 3/4 Dia.	Clavette Woodruff no 91 1/4 x 3/4
80	618-0247	Gear Housing Half LH	Carter d'engrenages - moitié - gauche
81	710-1260A	Hex Flange Scr. 5/16-18 x .75	Vis à tête hexagonale 5/16-24 x .75
82	712-0429	Hex Ins. L-Nut 5/16-18	Contre-écrou de blocage 5/16-18
83	714-0135	#91 Woodruff Key 1/4 x 3/4 Dia.	Clavette Woodruff n° 91 1/4 x 3/4
84	736-0250	Flat Washer	Rondelle plate
85	741-0494	Flange Bearing	Roulement à bride
87	710-0891	Shear Bolt 5/16-18 x 1.75	Boulon de cisaillement 5/16-18 x 1.75
90	05845B	Bearing Housing	Boîtier de roulement
91	741-0192	Flange bearing w/flats	Roulement à brides
94	754-0222A	V-Belt 1/2 x 44" Lg.	Courroie trapézoïdale 1/2 x 44 po de lg.
96	618-0257	Worm Gear Box Ass'y	Boîte d'assemblage de vis sans fin
	618-0436	Worm Gear Box Ass'y (w/grease fitting)	Boîte d'assemblage de vis sans fin (avec raccord graisse)
98	784-5697	Reversible Slide Shoe	Sabot coulissant réversible
100	*	Augers	Tarières
101	749-1117	Support Tubing (45" Only)	Tuyau (45 po seulement)
102	731-2635	Cleanout Tool Mount	Support-outil de dégagement de la goulotte
103	731-2643	Cleanout Tool	Outil de dégagement de la goulotte
104	710-0458	Carriage Bolt 5/16-18 x 1.75	Boulon ordinaire 5/16-18 x 1.75

31A-8012
5.25.04

* See chart on page 22./Voir le tableau à la page 22.



Model Modèle	Wheel Assembly Ensemble de roue	Description Description	Tire Roue	Rim Jante
31AE8LOH	734-1593-0662	16 x 6.5 Snow Hog	734-1525	734-1124-0662

REF NO. N° DE RÉF	PART NO. N° DE PIÈCE	DESCRIPTION	DESCRIPTION
1	618-0279	LH Dog Assembly	Bride gauche
2	618-0294D	Drive Shaft Assy. 800 Steerable	Arbre d'entraînement (dirigeable 800 series)
3	618-04178	Wheel Ass'y Bearing 6.0" OD	Roulement 6.0 po diam.
	718-04034	Friction Wheel Bonded	Roue de friction
	710-1652	Hex Wash. Hd. TT Scr. 1/4-20 x .625	Vis taraudée 1/4-20 x .625
4	684-04103	Shift Ass'y Rod	Tige de commande
5	684-0118	Actuator Auger Bracket Ass'y	Support
6	684-0119	Actuator Drive Bracket Ass'y	Support
7	684-0122	32T Sprocket Ass'y	Pignon-32 dents
8	684-0161	Shift Arm Ass'y	Bras de commande
9	684-0162	Support Bracket Ass'y	Support
10	710-0195	Hex Scr 1/4-28 x .625" Lg	Vis à tête hexagonale 1/4-28 x .625 po lg.
11	710-0538	Hex L-Bolt 5/16-18 x .62	Boulon hex 5/16-18 x .62
12	710-0599	Hex Wash S-Tapp Scr 1/4-20 x .50	Vis autotaraudeuse à rondelle hex. de 1/4-20 x 0,5
13	710-0788	Hex Bolt 1/4-20 x 1.00	Vis à tête hex 1/4-20 x 1.00
14	710-1652	Hex Wash Hd TT Scr. 1/4-20 x .625	Vis taraudée 1/4-20 x .625
15	710-1879	Hex Hd. C-Sunk Scr. 3/8-16X.880 Gr. 5	Vis à tête hex. 3/8-16X.880 Qual.. 5
16	710-3008	Hex Bolt 5/16-18 x .75" Lg. Gr. 5	Boulon hex. 5/16-18 x .75 po de lg. Qual. 5
17	710-3103	Hex Hd Cap Scr. 5/16-18 x 2.0 Gr. 5	Vis à tête hex. 5/16-18 x 2.0 Qual. 5
18	710-3180	Hex Screw 5/16-18 x 1.75" Lg.	Vis à tête hex. 5/16-18 x 1.75 po de lg.
19	711-04279	Hex Drive Shaft	Arbre d'entraînement
20	711-1193	Actuator Shaft	Arbre
21	711-1265	Actuator Drive Shaft	Arbre d'entraînement
22	712-0116	Hex Nut 3/8-24	Écrou hexagonal 3/8-24
23	712-0138	Hex Nut 1/4-28	Écrou hexagonal 1/4-28
24	712-0413	Hex Ins. Jam Locknut 5/8-18	Contre-écrou de blocage 5/8-18
25	712-04063	Flange L-Nut 5/16-18 Gr. F Nylon	Contre-écrou à embase 1/4-20 Qual. F nylon
26	712-0717	Nut Insert 3/8-16 UNC	Écrou insérer 3/8-16 UNC
27	712-04065	Flange L-Nut 3/8-16 Gr. F Nylon	Contre-écrou à embase 3/8-16 Qual. F nylon
28	712-3010	Hex Nut 5/16-18 hd. (Gr. 5)	Écrou hexagonal 5/16-18 Qual. 5
29	713-0284	#41 Chain 1/2" pitch x 36 links- Endless	Chaîne n° 41, pas de 1/2" x 36 maillons
30	713-0286	#420 Chain 1/2" pitch x 40 links-Endless	Chaîne n° 420, pas de 1/2 x 40 maillons
31	713-0413	10T Sprocket #41 x .500	Pignon, 10 dents
32	714-0101	Internal Cotter Pin	Goupille fendue - Int.
33	714-0104	Int. Cotter Pin 5/16 DIA	Goupille fendue 5/16 DIA.
34	714-0115	Cotter Pin 1/8 x 1.0	Goupille fendue 1/8 x 1.0
35	714-0388	No. 61 Hi-Pro Key 3/16 x 5/8	Clavette Hi-Pro N° 61-3/16 x 5/8
36	716-0136	Retaining Ring E-Type .875 dia.	Bague en «E» 0,875 diam.
37	717-0302	Aluminum Drive Plate	Plaque d'entraînement en aluminium
38	732-0121	Idler Extension Spring	Ressort extérieur de tendeur
39	732-0209	Extension Spring .47 OD x 2.03 Lg.	Ressort d'extension .47 DE x 2.03 po de lg
40	736-0119	L-Wash 5/16 ID	Rondelle frein 5/16 DI
41	736-0158	Lockwasher 5/16 ID	Rondelle frein 5/16 DI
42	736-0160	Flat Washer .531 ID x .930 OD	Rondelle plate .531 DI x .930 DE
43	736-0163	Flat Washer 1.03 ID x 1.62 OD x .03	Rondelle plate 1.03 DI x 1.62 DE x .03
44	736-0217	Lockwasher Heavy 3/8" ID	Rondelle frein 3/8 DI
45	736-0242	Cupped Washer .345 ID x .88 OD x .06	Rondelle creuse .345 DI x .88 DE x .060
47	736-0300	Flat Washer .385 ID x .87 OD x .06	Rondelle plate .385 DI x .87 DE x .06
48	736-0329	L-Wash 1/4 ID	Rondelle frein 1/4 DI
49	736-0623	Flat Washer .64 ID x 1.24 OD x .06	Rondelle plate .64 DI x 1.24 DE x .06
50	737-04027	Lubricant - LPS 2 Industrial Strength	Lubrifiant - LPS Industriel
51	737-0318	Grease:Arctic:EP NLGI 1-58F	Graisse
52	738-0143	Shld. Scr. .500 Dia. x .335" Lg.	Vis à épaulement dia. .500 po x .335 po de lg.
53	738-0279	Drive Plate Spindle	Fusée de plaque d'entraînement
54	738-0924	Hex Shld.Scr.1/4-28 x .375	Vis à épaulement 1/4-28 x .375
55	741-0163A	Bearing Hsg. Ass'y.	Boîtier à roulement à billes
55A	08253B	Brg. Housing 1.85" ID	Logement du roulement 1.85 DI
55B	741-0919	Ball Bearing .787 ID x 1.85 OD x .56	Roulement à billes .787 DI x 1.85 DE x .56
56	741-04025	Self Aligning Bearing	Palier à alignement automatique
57	741-0225	Hex Flange Bearing .630 ID	Roulement à bride hex de .630 DI
58	741-0563	Ball Bearing w/snap ring	Roulement à billes avec bague
59	741-0747	Ball Bearing .5625 ID x 1.3750 x .437	Roulement à billes .5625 DI x .1.3750 x .437

Continued on next page/Suited à la page prochaine

REF NO. N° DE RÉF	PART NO. N° DE PIÈCE	DESCRIPTION	DESCRIPTION
60	741-0748	Flange Bushing .500 ID x .627 OD	Coussinet .500 DI x .627 DE
61	746-0951	Auger Idler Cable	Câble
62	747-0973	Drive Clutch Rod	Tige d'entraînement
63	750-0903	Split Spacer 1/2 x 5/8 x 2.69	Entretoise 1/2 x 5/8 x 2.69
64	750-0997	Spacer .625 ID x 1.0 OD x .23	Entretoise .625 DI x 1.0 DE x .23
66	750-1147	Split Spacer .017 ID x 7.80 Lg.	Entretoise .017 DE x 7.8 po de lg.
67	756-0344	1/2" "V" Pulley .625 ID x 7.50 OD	Poulie de 1/2 PO .625 DI x 7.50 DE
68	756-0625	Cable Guide Roller	Galet de guidage
69	784-0377	Frame Support Bracket	Support du châssis
70	784-0380	Lower Frame Cover	Couvercle du châssis inférieur
71	784-0383	Upper Frame Cover	Couvercle du châssis supérieur
72	784-0384	Auger Cable Bracket Guide	Support
73	784-0403	Shift Bracket	Support
74	784-0404	Bearing Retaining Bracket	Support de retenue de la roulement
75	790-00016	Transmission Frame Ass'y)	Châssis
80	738-0984A	Axle .995 x 28.35" Lg.	Essieu .995 x 28.35" Lg.
76		See chart on page 22	Voir le tableau à la page 22
77	714-0151A	Klik Pin	Goupille à declique
78	741-0246A	Bearing 1.0 ID x 1.127 OD x 1.00	Roulement 1.0 DI x 1.127 DE x 1.00
79	734-0255	Air Valve	Soupape à air
81	05244A	Bearing Housing	Boîtier à roulement

831-9153
7.21.04

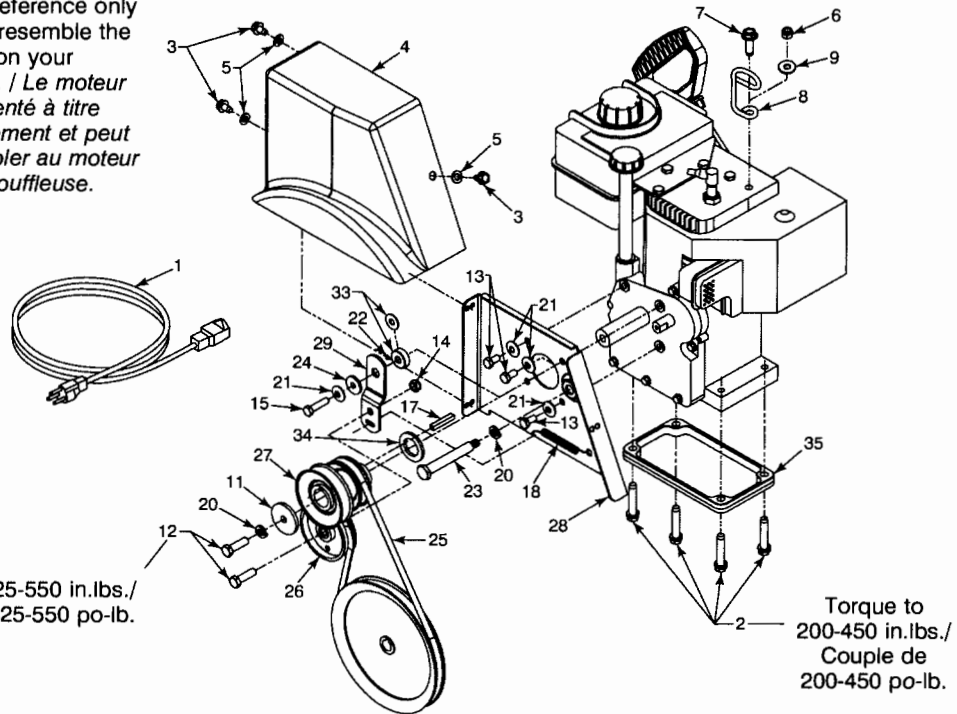
**** Colour Codes/
Code du couleur**

0606 Orange/Orange
0637 Black/Noir
0662 Oyster Grey/Gris
0650 Red (WOP)/Rouge
0674 Radiant Yellow/Jaune
0716 Cub Yellow/Jaune

AUGER HOUSING COMPONENTS/COMPOSANTS DU LOGEMENT DES TARIÈRES						
SIZE TAILLE	DESCRIPTION	AUGER HOUSING LOGEMENT DES TARIÈRES	LH AUGERS TARIÈRES GAUCHE	RH AUGERS TARIÈRES DROIT	AUGER SHAFT ARBRE DES TARIÈRES	SHAVE PLATE PLAQUE DE RACLAGE
28"/28 po	Standard Serrated/dentelée	684-0091A	684-0095	684-0096	738-0493	784-5716
28"/28 po	Heavy Duty w/support tube Robuste avec tuyau	684-0164	684-0095	684-0096	738-0493	784-5716
30"/30 po	Standard Serrated/dentelée	684-0092B	705-5206A	705-5207A	738-0733B	784-5715A
30"/30 po	Heavy Duty w/support tube Robuste avec tuyau	684-0165	705-5206A	705-5207A	738-0733B	784-5715A
33"/33 po	Standard Serrated/dentelée	684-0093A	705-5210A	705-5211A	738-0491	784-5714
33"/33 po	Heavy Duty w/support tube Robuste avec tuyau	684-0166	705-5210A	705-5211A	738-0491	784-5714
45"/45 po	Heavy Duty w/support tube Robuste avec tuyau	684-0155	684-0072	684-0073	738-0492	784-5696

N/A = Not available
N/D = Non disponible

Engine is for reference only and may not resemble the engine on your snowthrower. / Le moteur est représenté à titre indicatif seulement et peut ne pas ressembler au moteur de votre souffleuse.

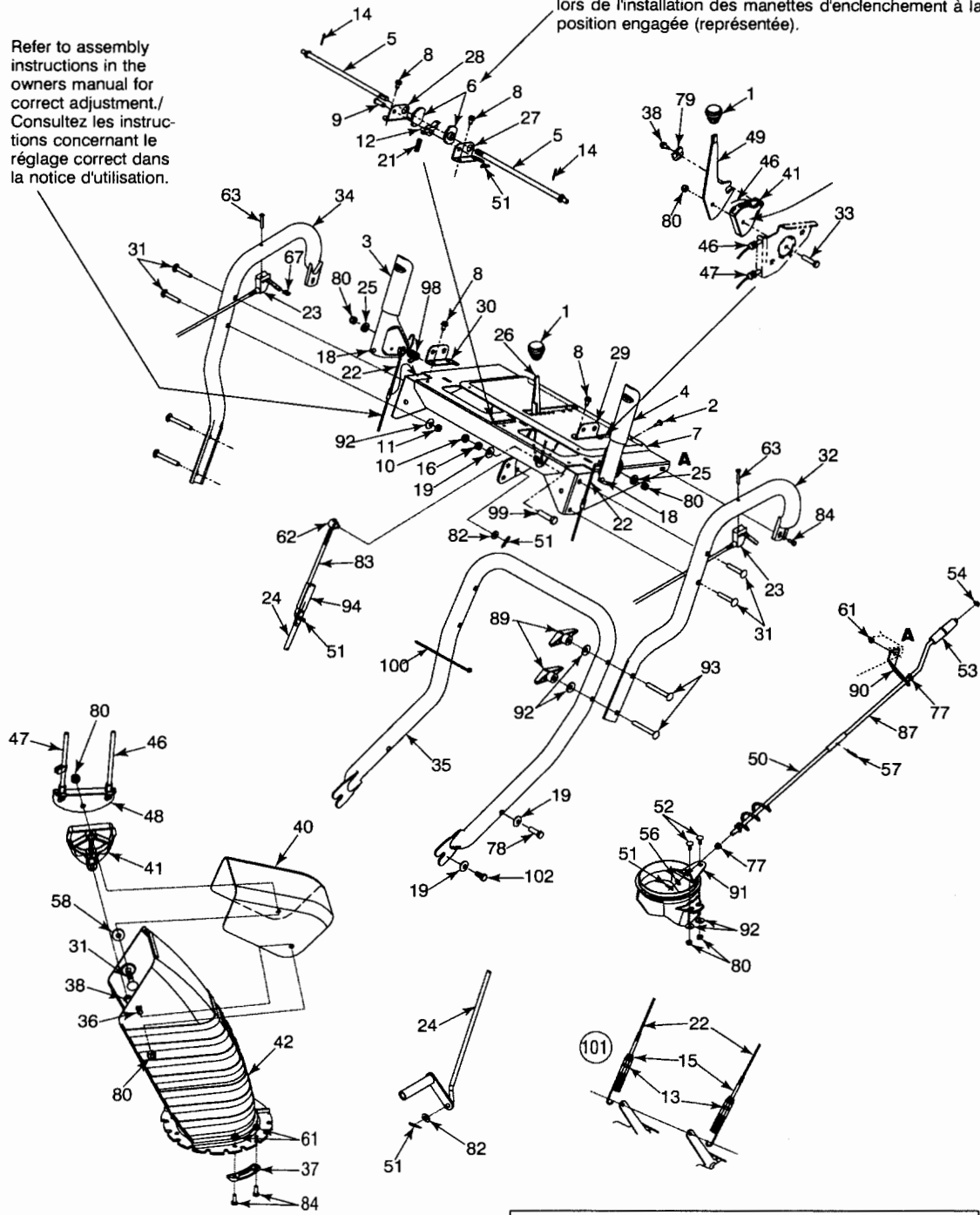


REF NO. N° DE RÉF	PART NO. N° DE PIÈCE	DESCRIPTION	DESCRIPTION
1	629-0071	Extension Cord 10 Ft.	Corde 10 pied de lg.
* 2	710-1008	Hex L-Wash TT Scr. 3/8-16 x 1.8	Vis taraudée 3/8-16 x 1,8
**	710-0502A	Hex Washer Scr 3/8-16 x 1.25	Vis taraudée 3/8-16 x 1,25 po
3	710-0607	Hex Wash HD S-Tapp Scr 5/16-18 x .50	Vis auto-taraudeuse hexagonal 5/16-18 x 0,50
4	731-2531	Plastic Belt Cover	Couvercle de courroie
5	736-0264	Flat Washer .330 ID x .630 OD x .0635	Rondelle plate 0,330 DI x 0,630 DE x 0,0635
6	712-0324	Hex Ins. Locknut 1/4-20 Gr. 8 Nylon	Écrou hex. 1/4-20 Qual. 8 nylon
7	710-0602	Hex Wash Hd Tapp Scr 5/16-18 x 1.00	Vis auto-fileteuse à tête hex et rondelle 5/16-18
8	732-0705	Cable Control Wire	Fil de commande de la câble
9	736-0173	Flat Washer .28 ID x .74 OD x .063	Rondelle plate 0,28 DI x 0,74 DE x 0,063
11	07386	Flat Washer .39 ID x 1.75 OD x .175	Rondelle plate 0,39 DI x 1,75 DE x 0,175
12	710-0191	Hex Screw 3/8-24 x 1.25 Gr. 8 Special	Vis à tête hexagonale 3/8-24 x 1,25 Qual. 8 spéc.
13	710-0237	Hex Screw 5/16-24 x .625 Gr. 5	Vis à tête hexagonale 5/16-24 x 0,625 Qual. 5
14	712-0116	Hex Nut 3/8-24 Gr. 5 Nylon	Écrou hexagonal 3/8-24 Qual. 5 nylon
* 15	710-0672	Hex HD. Cap Scr. 5/16-24 x 1.25 Lg. Gr 5	Vis à tête hexagonal 5/16-24 x 1,25 po de lg Qual. 5
**	710-1245B	Hex Screw 5/16-24 x .875 Gr. 5 Lock	Vis à tête hexagonale 5/16-24 x 0,875 Qual. 5
17	714-0118	Square Key 1/4 x 1/4 x 1.50" Lg.	Clavette 1/4 x 1/4 x 1,50 po de lg
18	732-0303	Brake Return Ext. Spring 3.18" Lg.	Ressort d'alimentation 3/8 x 3,18
20	736-0217	Lockwasher Heavy 3/8" ID	Rondelle frein 3/8 DI
21	736-0242	Cupped Washer .340 ID x .872 OD x .06	Rondelle creuse 0,340 DI x 0,872 DE x 0,060
22	737-0318	Grease Arctic	Graisse
* 23	738-0982	Shoulder Screw .498 x 3.245 x 3/8-16	Vis épaulée 0,498 x 3,245 x 3/8-16
**	738-0215A	Shoulder Screw .498 Dia x 3.00	Vis à épaulement 0,498 Dia x 3,00
24	748-0234	Shoulder Spacer .25 THK	Entretoise épaulée
25	754-0131	V-Belt 3/8 x 35.5" Lg.	Courroie trapézoïdale 3/8 x 35,5 po de lg
26	756-0240	Flat Idler w/flanges 3.0 OD	Tendeur plate avec collet 3,0 DE
27	756-0241B	Double Groove Engine Pulley	Poulie moteur à double gorges
28	684-0123A	Belt Cover Bracket Ass'y	Support de la couvercle de courroie
29	784-5726	Idler Bracket	Support de tendeur
* 33	748-0418	Spacer .33 ID x 1.01 OD x .36	Entretoise 0,33 DI x 1,01 DE x 0,36
**	736-0159	Flat Washer .349 ID x .879 OD x .063	Rondelle plate 0,349 DI x 0,879 DE x 0,063
* 34	750-1148A	Spacer 1.02 x 1.63 x .1425	Entretoise 1,02 x 1,63 x 0,1425
* 35	717-0882A	Engine Spacer .560 Thick	Entretoise du moteur-épaisseur 0,560

* For 10 & 11 HP/Pour 10 et 11 HP
** For 12 & 13 HP/Pour 12, et 13 HP

Flats (#6) parallel to rear when installing engagement handles in the engaged position as shown./
 Placez les parties plates (#6) parallèlement à l'arrière lors de l'installation des manettes d'enclenchement à la position engagée (représentée).

Refer to assembly instructions in the owners manual for correct adjustment./
 Consultez les instructions concernant le réglage correct dans la notice d'utilisation.



For information on lights and handle panels refer to pages 26 and 27./
 Voir les pages 26 et 27 pour tout renseignement concernant le tableau de bord et les phares.

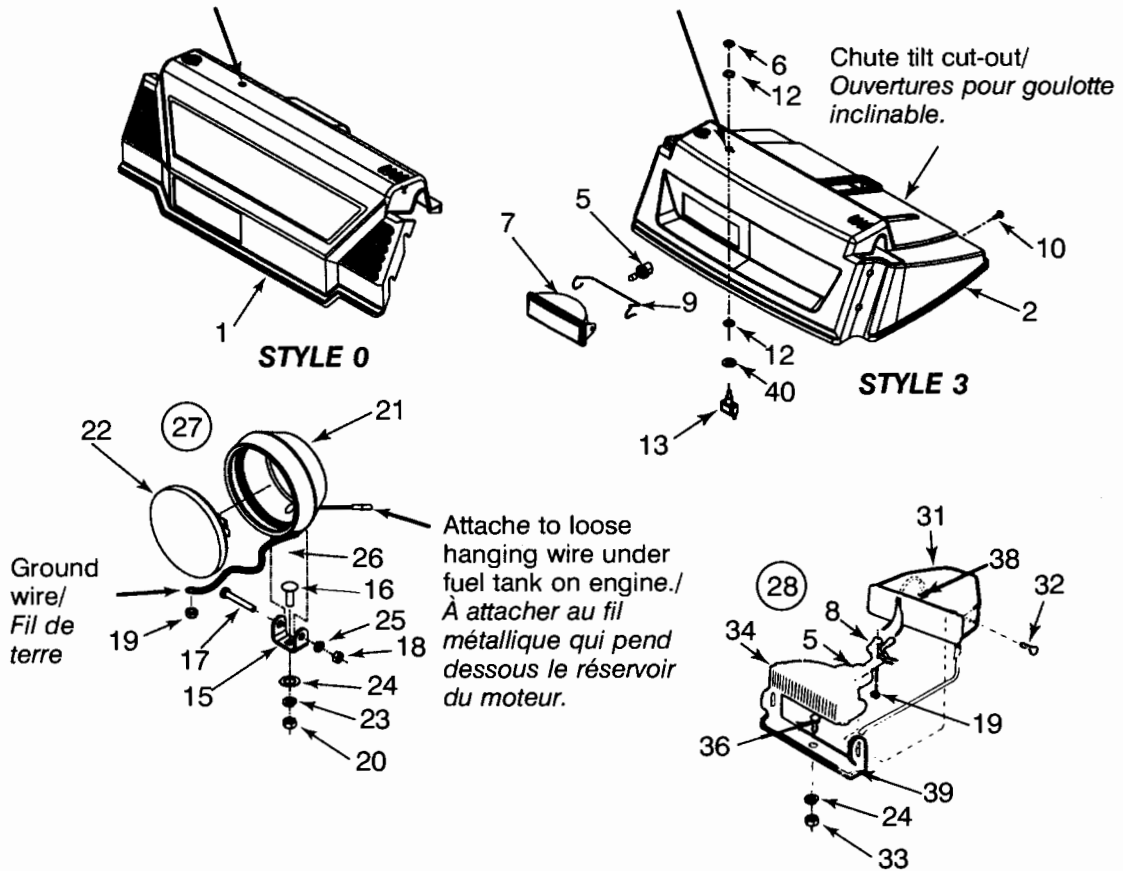
REF NO. N° DE RÉF	PART NO. N° DE PIÈCE	DESCRIPTION	DESCRIPTION
1	720-0232	Shift Knob	Bouton
2	710-0351	Truss Mach B-Tapp Scr #10-16 x .50 Gr. 5	Vis de renforcement taraudée no. 10-16 x 0,50 Qual.5
3	705-5218	Engagement Handle RH Black	Poignée d'entraînement CD noir
4	705-5219	Engagement Handle LH Black	Poignée d'entraînement CG noir
5	747-0877	Cam Rod	Tige de came
6	748-0362	Cam Handle Lock	Came
7	684-0102	Handle Panel Ass'y w/tilt	Panneau
7	684-0103	Handle Panel Support Ass'y w/o slot	Ensemble de support de panneau sans fente
8	710-0599	Hex Wash S-Tapp Scr 1/4-20 x .50	Vis autotaraudeuse à rondelle hex. de 1/4-20 x 0,5
9	711-0653	Clevis Pin .31 Dia. x 1.0" Lg.	Axe d'attelage 0,31 Dia. x 1,0 po. de lg.
10	712-0116	Hex Nut 3/8-24 Gr. 5	Écrou hexagonal 3/8-24 Qual. 5
11	712-3010	Hex Nut 5/16-18 hd. Gr. 5	Écrou hexagonal 5/16-18 Qual. 5
12	748-0363	Cam Lock Pawl	Cliquet
13	712-0324	Hex Ins. Locknut 1/4-20	Écrou de blocage 1/4-20
14	714-0507	Cotter Pin 3/32 x .75	Goupille fendue 3/32 x 0,75
15	732-0184	Extension Spring	Ressort d'extension
16	732-0193	Compression Spring .39 ID x .88 Lg	Ressort de compression .39 DI x .88 po de lg.
18	735-0199A	Rubber Bumper	Pare - chocs en caoutchouc
19	736-0105	Cupped Washer .401 ID x .870 OD x .063	Rondelle creuse 401 DI x .870 DE x .063
21	732-0145	Compression Spring .36 DIA x 1.0" LG.	Ressort de compression .36 Dia. x 1.0 po de lg
22	746-0952	Clutch Cable	Câble d'embrayage
23	746-0950A	Trigger Assembly	Câble à chenilles de direction
24	747-0983A	Lower Shift Rod	Tige de changement de la vitesse - inférieur
25	736-0509	Washer (special)	Rondelle - spéciale
26	784-5619A	Shift Lever	Levier de changement de la vitesse
27	784-5679	LH Handle Support Brkt. 5/8"	Support de guidon-gauche 5/8 po
28	784-5680	RH Handle Support Brkt. 5/8"	Support de guidon-droit 5/8 po
29	784-5681	LH Handle Support Brkt. 3/8"	Support de guidon-gauche 3/8 po
30	784-5682	RH Handle Support Brkt. 3/8"	Support de guidon-droit 3/8 po
31	710-0458	Carriage Bolt 5/16-18 x 1.75" Lg.	Boulon à collet carré 5/16-18 x 1,75 po de lg
32	749-0989A	LH Upper Handle	Guidon-supérieur CG
33	710-0805	Hex Cap Scr. 5/16 - 18 x 1.50" Lg. Gr. 5	Vis à tête hex 5/16 - 18 x 1,50 po de lg Qual. 5
34	749-0990A	RH Upper Handle	Guidon-supérieur CD
35	749-0991	Lower Handle	Guidon-inférieur
36	710-0276	Carriage Bolt 5/16-18 x 1.00" Lg	Boulon ordinaire de 5/16-18 x 1,00 po de lg
37	731-0851A	Chute Flange Keeper	Garde-bride de la goulotte
38	710-0895	Hex HL Index Washer Screw 1/4-15 X .75	Vis taraudée à tête hexagonale 1/4-15 x 0,75
40	731-0846C	Upper Chute Remote Tilt	Partie supérieur noir de la bouche d'évacuation
41	731-1313C	Cable Guide	Guide de la câble
42	731-0903D	Lower Chute Remote Tilt	Partie inférieur noir de la bouche d'évacuation
44	736-0159	Flat Washer .349 ID x .879 OD x .063	Rondelle plate ,349 DI x ,879 DE x ,063
46	746-0902	Chute Control Cable 66"	Câble de la commande de la bouche d'évacuation 66
47	746-0903	Chute Control Cable w/clip	Câble de la commande de la bouche d'évacuation
48	784-5594	Cable Bracket Chute Tilt	Support de câble
49	784-5604	Chute Tilt Handle	Poignée de la bouche d'évacuation
50	684-0053B	Lower Chute Crank	Manivelle de la goulotte
51	714-0104	Int. Cotter Pin .072 x 1.13" Lg.	Goupille fendue 0,072 x 1,13 po. de lg.
52	710-0451	Carriage Bolt 5/16-18 x .75 Gr. 2	Boulon ordinaire 5/16-18 x 0,75 Qual. 2
53	720-0201A	Knob 1.0 x 3.2	Bouton 1,0 x 3,2
54	726-0100	Push Nut 3/8" Rod	Écrou pour tige de 3/8 po
56	736-0185	Flat Washer .375 ID x .738 OD X.063	Rondelle plate 0,375 DI x 0,738 DE x 0,063
57	714-0101	Internal Cotter Pin	Goupille fendue - Int.
58	736-0231	Flat Washer .344 ID x 1.125 OD x .125	Rondelle plate 0,344 DI x 1,125 DE x 0,125
61	712-04064	Hex Fig. L-Nut 1/4-20 Gr. F Nylon	Contre-écrou à embase 1/4-20 Qual. F nylon
62	711-0677	Adjustment Ferrule	Virole de réglage
63	710-1625	Oval C-Sunk Screw #10-24 x 1.75	Vis No. 10-24 x 1,75
77	741-0475	Plastic Bushing .380 ID	Manchon en plastique de 0,38 po de D.I.
78	710-1878	Hex Screw 3/8-16 x 1.75 Gr.5 w/patch	Vis à tête hex 3/8-16 x 1,75 Qual. 5 avec pastille
79	736-0506A	Contour Washer	Rondelle
80	712-04063	Hex Fig. L-Nut 5/16-18 Gr. F Nylon	Contre-écrou à embase 5/16-18 Qual. F nylon
82	736-0275	Flat Washer .344 ID x .688 OD x .065	Rondelle plate 0,344 DI x 0,688 DE x 0,065
83	747-0997	Upper Shift Rod	Tige de changement de la vitesse - supérieur
84	710-0597	Hex Cap Scr. 5/16-18 x 1.0" Lg. Gr.	Contre-écrou à embase 5/16-18 Qual. F nylon
87	747-0624	Upper Chute Crank Assembly	Manivelle de la goulotte supérieure

Continued on next page/Suivé à la page prochaine

REF NO. N° DE RÉF	PART NO. N° DE PIÈCE	DESCRIPTION	DESCRIPTION
89	720-0284	Wingnut Knob, 5/16-18	Bouton 5/16-18
90	705-5266	Upper Chute Crank Support	Support de la manivelle de la goulotte supérieure
91	784-5123	Lower Chute Crank Brkt.	Support de la manivelle de la goulotte inférieure
92	736-0242	Cupped Washer .340 ID x .872 OD x .06	Rondelle creuse 0,340 DI x 0,872 DE x 0,060
93	710-0572	Carriage Bolt 5/16-18 x 2.50	Boulon ordinaire 5/16-18 x 2,50
94	750-0963	Connector - Shift Rod	Raccord - tige de changement de la vitesse
98	732-0746	Torsion Spring .44 ID	Ressort de torsion 0,44 DI
99	710-0459A	Hex Scr 3/8-24 x 1.50 Gr. 5	Vis à tête hexagonale 3/8-24 x 1,50 Qual. 5
100	725-0157	Cable Tie	Attache câble
101	646-0012	Auger/Drive Cable Assembly	Ensemble de câble d'embrayage/commande
102	710-1879	Hex Screw 3/8-16 x .880 Gr. 5	Vis à tête hex 3/8-16 x 0,880 Qual. 5
103	710-0597	Hex Screw 1/4-20 x 1.00 Gr. 5	Vis à tête hex 1/4-20 x 1,0 Qual. 5

9009-fld
7.21.04

Hole for mounting heated grip toggle switch./ Trou de montage du commutateur à culbuteur pour poignées chauffées.



REF NO. N° DE RÉF.	PART NO. N° DE PIÈCE	DESCRIPTION	DESCRIPTION
1	STYLE 0		
	731-1391	Black Handle Panel (w/o options)	Panneau-noir (sans options)
	731-1393	Black Handle Panel (■)	Panneau-noir (■)
	731-1997	Grey Handle Panel (**)	Panneau-gris (**)
2	STYLE 3		
	731-1737A	Black Handle Panel (*)	Panneau-noir (*)
	731-0061	Black Handle Panel (■ ■)	Panneau-noir (■ ■)
	731-1873A	Yellow Handle Panel (■ ■)	Panneau-jaune (■ ■)
	731-2564	Yellow Handle Panel (+)	Panneau-jaune (+)
	731-2606	Black Handle Panel (**)	Panneau-noir (**)
5	725-1658	Bulb #890, 12 V, 27 Watt	Bulbe n° 890
	725-1759	Bulb, #886, 12 V, 50 Watt (Style 3 w/heated grips)	Bulbe n° 886 (style 3 avec poignées chauffées)
6	712-0693	Hex Nut	Écrou à six pans
7	725-1672	Lamp, Lens Housing #890	Boîtier du phare no. 890
8	629-0059	Wire Harness	Faisceau de fil
9	747-1136	Headlight Retainer	Retenue du phare
10	710-1003	Hex Tapp Wash Hd. Scr. #10 x 5/8	Vis n° 10 x 5/8
12	716-0398	Lock Ring - Toggle Switch	Bague - commutateur à culbuteur
13	725-1756	Toggle Switch, Single Throw (heated grips)	Commutateur à culbuteur
15	13359	Mounting Lamp Bracket	Support de phare
16	710-0276	Carriage Bolt 5/16-18 x 1.00" Lg	Boulon ordinaire de 5/16-18 x 1,00 po de lg
17	710-0559	Hex Screw 1/4-28 x 1.75 Gr 5	Vis à tête hex. 1/4-28 x 1.75 Qual 5
18	712-0138	Hex Nut 1/4-28 Gr 5	Écrou hexagonal 1/4-28 Qual 5
19	712-0271	Sems Hex Nut 1/4-20	Écrou Sems hex 1/4-20
20	712-3010	Hex Nut 5/16-18 hd. Gr. 5	Écrou hexagonal 5/16-18 Qual 5
21	725-0586	Lamp Housing	Logement du phare
22	725-1300	Sealed Beam 18 Watt CGE #4414-1	Phare-scelle (CGE no 4414-1, 18 watt)
23	736-0119	L-Wash 5/16 ID	Rondelle frein 5/16 DI
24	736-0159	Flat Washer .349 ID x .879 OD x .063	Rondelle plate, .349 DI x .879 DE x .063
25	736-0329	L-Wash 1/4 ID	Rondelle frein 1/4 DI
26		Ground Wire	Fil de terre
27	725-1301	Top Mount 18 watt Lamp Ass'y (sealed beam)	Phare (18 watt)
28	625-0007	Top Mounting Halogen Lamp Assembly	Phare à iode
31	731-1364	Halogen Lamp Housing	Boîtier du phare à iode
32	710-1240	Phillips Pan Hd. Scr. M4 x 16mm	Vis Phillips à tête cylindrique M4 x 16mm
33	712-04063	Hex Fig. L-Nut 5/16-18 Gr. F Nylon	Contre-écrou à embase 5/16-18 Qual. F nylon
34	725-1669	Lamp/Lens Housing Ass'y	Boîtier du phare/optique
36	710-0451	Carriage Bolt 5/16-18 x .75	Boulon ordinaire 5/16-18 x .75
38	735-0225	Grommet .38 ID x .50 OD x .12	«Grummet» .38 DI x .50 DE x .12
39	705-5217	Lamp Mounting Brkt.	Support de montage du phare
40	736-0226	Flat Washer .474 ID x .879 OD x .064	Rondelle plate 0,474 DI x 0,879 DE x 0,064

HP03
7.21.04

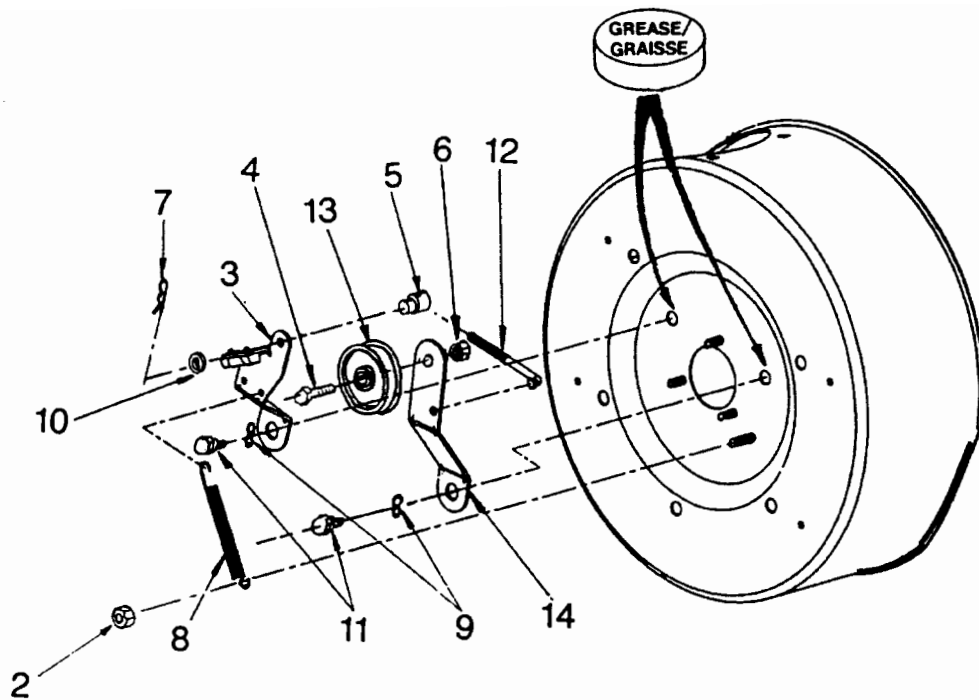
* w/light cut out and chute tilt cut out
avec ouvertures pour phare et pour goulotte inclinable

** w/light cut out & w/o chute tilt cut out
avec ouvertures pour phare, sans ouverture pour goulotte inclinable

■ w/hole for top mounting light
avec trou de montage du phare

■ ■ w/hole for top mounting light and chute tilt cut out
avec trou de montage du phare et pour goulotte inclinable

+ w/ light cut out, chute tilt cut out & heated grips
avec ouvertures pour phare et goulotte inclinable et poignées chauffées



REF NO. N° DE RÉF	PART NO. N° DE PIÈCE	DESCRIPTION	DESCRIPTION
1	712-0717	Nut Insert 3/8-16 UNC	Écrou insérer 3/8-16 UNC
2	712-04063	Hex Fig. L-Nut 5/16-18 Gr. F Nylon	Contre-écrou à embase 5/16-18 Qual. F nylon
3	618-0281A	Brake Bracket Ass'y (900 Series)	Support du frein (séries 900)
4	710-0459A	Hex Scr 3/8-24 x 1.50 Gr. 5	Vis à tête hexagonale 3/8-24 x 1.50 Qual. 5
5	711-0677	Adjustment Ferrule	Virole de réglage
6	712-0116	Hex Nut 3/8-24 Gr. 5	Écrou hexagonal 3/8-24 Qual. 5
7	714-0104	Int. Cotter Pin .072 x 1.13" Lg.	Goupille fendue .072 x 1,13 po. de lg.
8	732-0858	Extension Spring .470 Dia. x 4.75	Ressort d'extension
9	736-0174	Wave Washer .625 ID x .885 OD x .015	Rondelle ondulée .625 DI x .885 DE x .015
10	736-3008	Flat Washer .344 ID x .75 OD x .120	Rondelle plate .344 DI x .75 DE x .120
11	738-0281	Shoulder Scr .625 Dia x .170	Vis à épaulement dia .625 x .170 po
12	747-0980	Auger Idler Rod	Tige de tension de la tarière
13	756-0178	Flat Idler Pulley	Poulie de tendeur plate
14	784-0385A	Auger Idler Bracket	Support de tension de la tarière

31A-9003
5.28.04