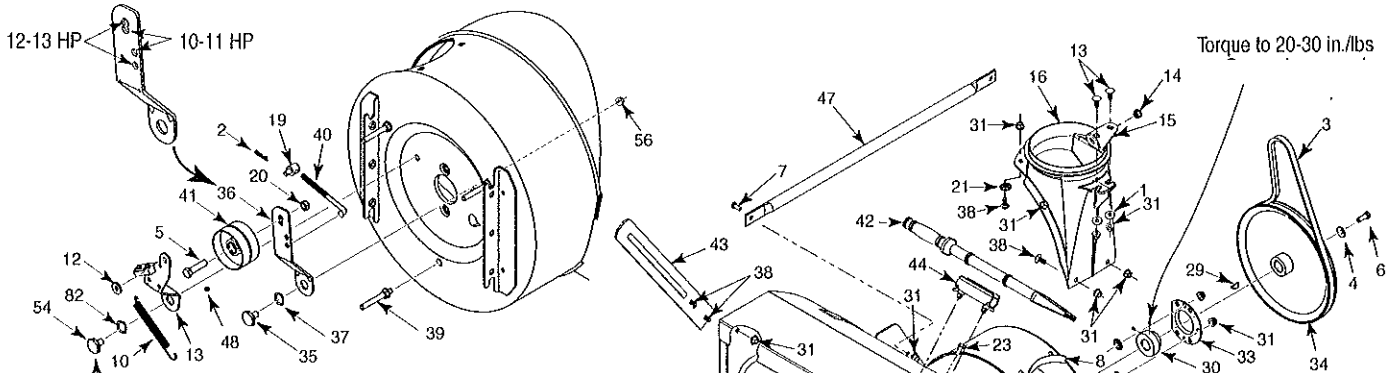


REF NO. N° DE RÉF	PART NO. N° DE PIÈCE	DESCRIPTION
1	784-5604A	Chute Tilt Handle
2	646-0012	Cable Ass'y (Auger/Drive)
3	684-0053B	Lower Chute Crank Assembly
4	705-5218	Engage Handle RH Black
5	705-5219	Engagement Handle LH Black
6	705-5266	Upper Chute Crank Support
7	710-0458	Carriage Bolt 5/16-18 x 1.75" Lg.
8	710-0572	Carriage Bolt 5/16-18 X 2.50
9	784-5594	Cable Bracket Chute Tilt
10	710-1625	Screw, #10-24 x 1.75
11	710-1878	Hex Screw 3/8-16 x 1.75
12	710-1879	Hex Screw 3/8-16 x .88
13	710-3015	Hex Cap Bolt 1/4-20 x .75" Lg.
14	711-0677	Adjustment Ferrule
15	784-5679	LH Handle Support Brkt. 5/8"
16	712-04064	Hex L-Flanged Nut 1/4-20 Gr. F Nylon
17	712-3010	Hex Nut 5/16-18 hd. (Gr. 5)
18	714-0101	Internal Cotter Pin
19	714-0104	Int. Cotter Pin .072 x 1.13" Lg.
20	720-0201A	Knob 1.0 x 3.2
21	720-04039	Shift Knob
22	720-04072	Star Knob
23	725-0157	Cable Tie
24	784-5682	RH Handle Support Brkt. 3/8"
25	784-5681	LH Handle Support Brkt. 3/8"
26	726-0100	Push Nut 3/8" Rod
27	748-0363	Cam Lock Pawl
28	736-0105	Cupped Washer .375 ID x .870 OD x .063
29	736-0185	Flat Washer .406" I.D. x .75" O.D.
30	736-0242	Cupped Washer .345 ID x .88 OD x .06
31	736-0275	Flat Washer .34 ID x .688 OD x .065
32	741-0475	Plastic Bushing .380 ID
33	746-0950A	Steering Trigger
34	747-0624	Upper Chute Crank Assembly
35	747-0983A	Lower Shift Rod
36	747-0997	Upper Shift Rod
37	784-5680	RH Handle Support Brkt. 5/8"
38	749-0989A	Upper Handle LH
39	749-0990A	Upper Handle RH
40	749-0991	Lower Handle
41	750-0963	Connector - Shift Rod
42	684-0102A	Handle Panel Support Ass'y
43	710-0276	Carriage Bolt 5/16-18 x 1.00" Lg
44	710-0458	Carriage Bolt 5/16-18 x 1.75" Lg.
45	710-0459A	Hex Scr 3/8-24 x 1.50
46	710-0597	Hex Screw 1/4-20 x 1.00
47	710-0599	Hex Wash S-Tapp Scr 1/4-20 x .50
48	710-0805	Hex Bolt 5/16-18 x 1.50" Lg. Gr. 5
49	710-0895	Hex Tapp Scr 1/4 x .75" Lg.
50	711-0653	Clevis Pin .31 Dia. x 1.0" Lg.
51	712-0116	Hex Nut 3/8-24
52	748-0362	Cam Handle Lock
53	714-0507	Cotter Pin 3/32 x .75
54	731-0846C	Upper Chute
55	731-0851A	Chute Flange Keeper
56	731-0903D	Lower Chute
57	731-1313C	Cable Guide
58	732-0145	Compression Spring .62 OD x 6.12" Lg.
59	732-0193	Compression Spring .38 ID x .88 Lg
60	732-0746	Torsion Spring
61	735-0199A	Rubber Bumper
62	784-5619B	Shift Lever
63	736-0231	Flat Washer .344 ID X 1.125 OD X .125
64	736-0119	L-Wash 5/16 ID
65	736-0509	Washer (special)
66	746-0902	Chute Control Cable 66"
67	746-0903	Chute Control Cable w/clip
68	747-0877	Cam Rod
69	712-04063	Hex L-Flanged Nut 5/16-18 Gr. F Nylon
70	736-0159	Flat Washer .349 ID x .879 OD x .063
71	712-3068	Hex Patch L-Nut 5/16-18



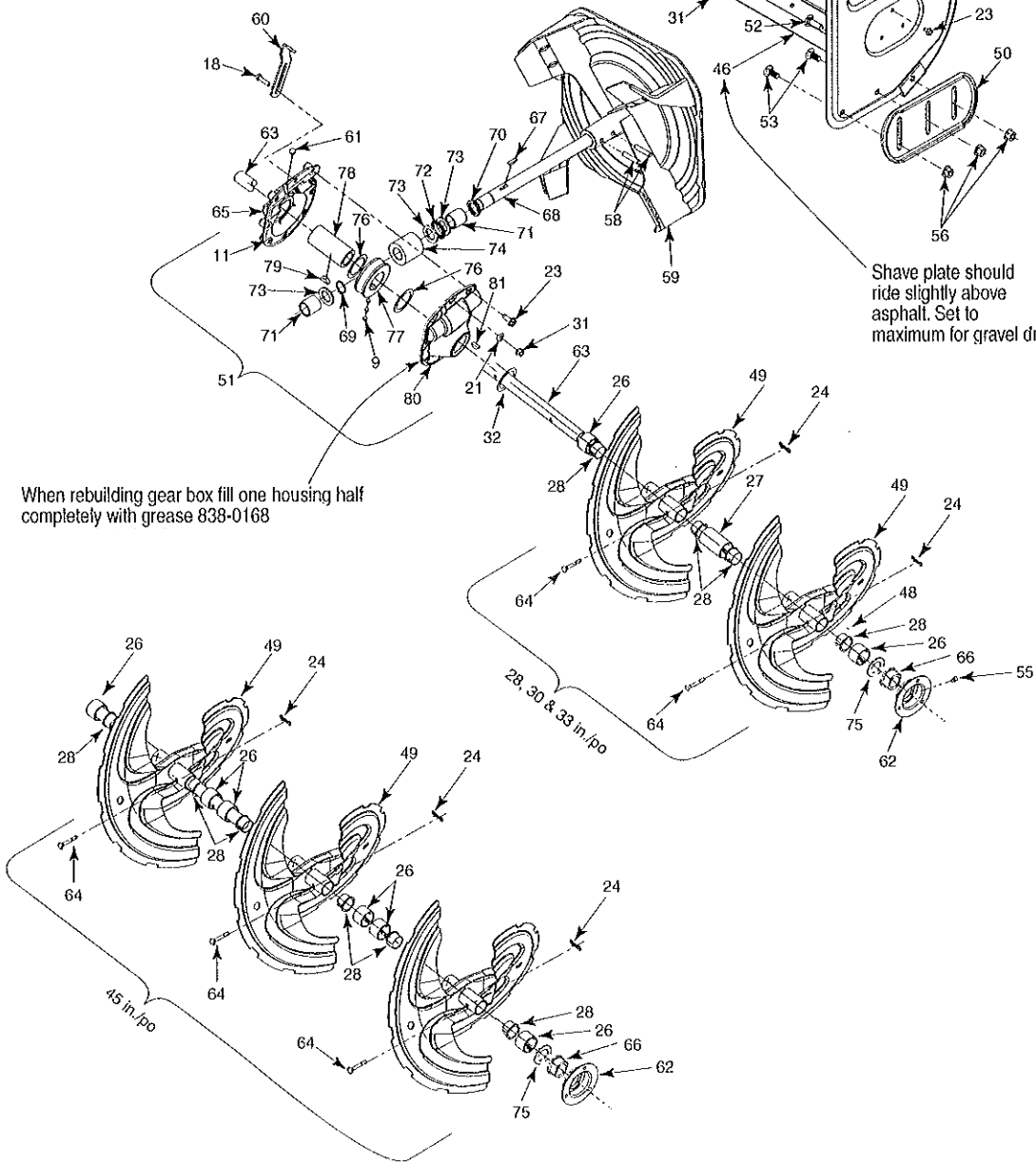
12-13 HP 10-11 HP

Torque to 20-30 in./lbs

Torque to 21 ft./lbs. maximum, cupped washer should be flat./

Shave plate should ride slightly above asphalt. Set to maximum for gravel driveways./

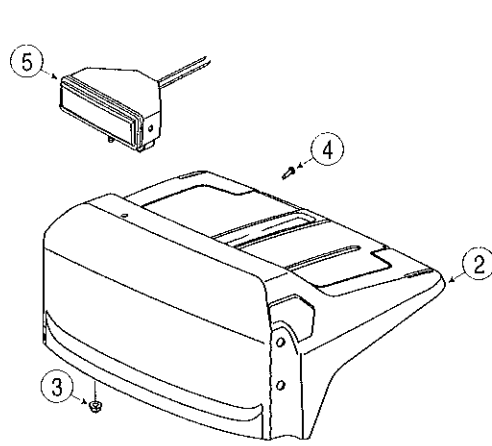
When rebuilding gear box fill one housing half completely with grease 838-0168



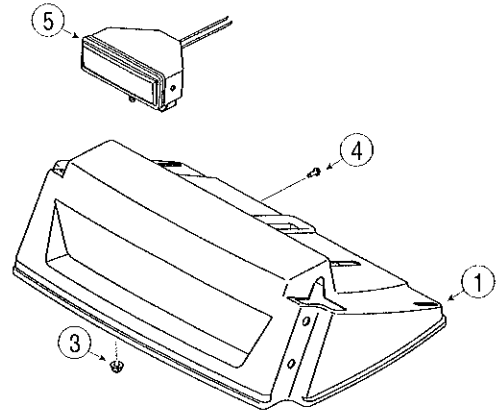
REF NO. N° DE RÉF	PART NO. N° DE PIÈCE	DESCRIPTION
1	736-0159	Flat Washer .349 ID x .879 OD x .063
2	714-0104	Int. Cotter Pin
3	754-0222A	V-Belt 1/2 x 44" Lg.
4	736-0242	Cupped Washer .345 ID x .88 OD x .06
5	720-0284	Handle Knob Assembly
6	710-0371	Hex Screw 5/16-18 x .88
7	710-3008	Hex Hd Cap Scr. 5/16-18 x .75 Gr. 5
8	784-5711	Chute Bracket
9	737-0168	Shell Alvania Grease (3 oz.)
10	732-0858	Extension Spring .470 Dia. x 4.75
11	721-0328	Ultra Grey Loctite #5699
12	736-3008	Flat Washer .344 ID x .75 OD x .120
13	618-0281A	Brake Bracket Ass'y (900 Series)
14	741-0475	Plastic Bushing .380 ID
15	784-5123	Chute Brkt.
16	731-1696A	Chute Adapter
17	736-04216	Cupped Washer .340 ID x .872 OD x .06
18	710-0528	Hex Screw 5/16-18 x 1.25
19	711-0677	Adjustment Ferrule
20	731-0851A	Chute Flange Keeper
21	726-04012	Push-on Nut .25 diam
22	712-3004A	Flange L-Nut 5/16-18 Gr. 5 Nylon
23	710-04484	Hex TT Screw 3/8-16 x .75
24	714-04040	Bow Tie Cotter Pin
26	731-05163	Spacer 1.5 x 1.0 ID x 1.0" Lg.
27	731-05162	Spacer 1.5 x 1.0 ID x 2.5" Lg.
28	741-0494	Flange Bushing 1.05 ID x 1.16 OD
29	714-0126	#9 HI-Pro Key 3/16 x 3/4 Dia HT
30	741-04024	Self-Aligning Bearing .875 ID
31	712-04063	Hex Flg. L-Nut 5/16-18 Gr. F Nylon
32	736-03046A	Flat Washer 1.010 x 1.88 x .060
33	05244B	Bearing Housing
34	756-0243	1/2" V-Pulley .875 ID x 10.12 OD
35	738-0281	Shoulder Scr .625 Dia x .170
36	784-0385B	Auger Idler Bracket
37	736-0174	Wave Washer .625 ID x .885 OD x .015
38	710-0451	Carriage Bolt 5/16-18 x .75
39	710-04606	Screw 5/16-18 x .43
40	747-0980A	Auger Idler Rod
41	756-0178	Flat Idler Pulley
42	731-2643	Cleanout Tool
43	790-00181	Drift Cutter
44	731-2635	Cleanout Tool Mount
45	*	Snowthrower Housing Ass'y
46	*	Shave Plate
47	749-1117	Support Tubing (33" & 45" Only)
48	737-0318	Arctic Grease
49	*	Augers
50	784-5697	Reversible Slide Shoe
51	618-0257	Worm Gear Box Ass'y
	618-0436	Worm Gear Box Ass'y (w/grease fitting)
52	710-3168	Carriage Bolt 3/8-16 x 1.00 Gr. 5
53	710-0389	Carriage Bolt 3/8-16 x .75" Lg.
54	738-0281	Shoulder Scr .625 Dia x .170
55	737-3000	Grease Fitting (optional)
56	712-04065	Hex Flange L-Nut 3/8-16 Gr. F Nylon
57	741-0192	Flange bearing w/flats
58	715-0118	Spring Spirol Pin Heavy - 5/16 dia x 1.7
59	684-0090B	Blower Fan Ass'y Complete
60	790-00264	Gear Housing Support Bracket
61	721-0325	Barbed Plug
62	05845C	Bearing Housing
	784-0315A	Bearing Housing
63	*	Spiral Axle

* See chart on next page.

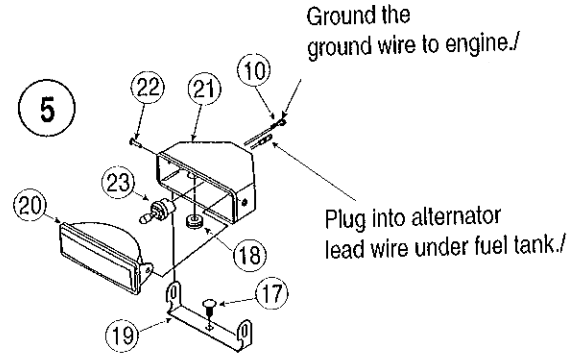
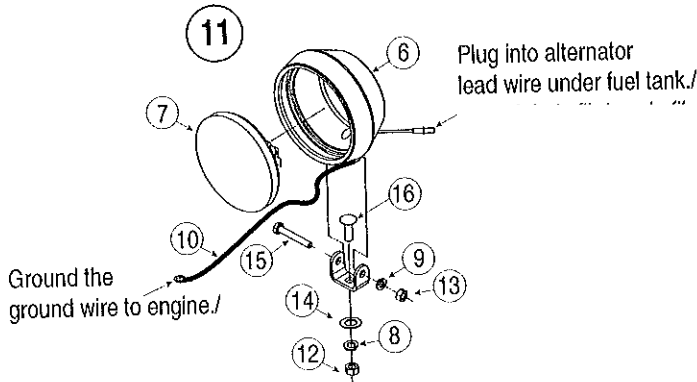
REF NO. N° DE RÉF	PART NO. N° DE PIÈCE	DESCRIPTION
64	738-04155	Shear Pin 5/16-18 x 1.75
65	618-0246	Gear Housing Half - RH
66	741-0192	Flange Bearing
67	714-0126	#9 HI-Pro Key 3/16 x 3/4 Dia HT
68	711-1133	Auger Drive Shaft
69	716-0111	Snap Ring for .875 dia. shaft
70	721-0145	Oil seal for .875 ID Garlock (76 x 6133)
71	741-0217	Sleeve Bearing .875 ID
72	741-0184	Thrust Bearing .88 ID x 1.44 OD x .078
73	736-0291	Flat Washer .88 ID x 1.4 OD x .125
74	717-0299	Worm Gear LH Double Thread
75	750-04020	Spacer
76	736-0266	Flat Washer 1.5 ID x 2.0 OD x .03
77	717-1425	Worm Gear LH Double Thread (Bronze)
78	738-0275	Worm Gear Shaft
79	714-0135	#91 Woodruff Key 1/4 x 3/4 Dia.
80	618-0247	Gear Housing Half LH
	618-0435	Gear Housing Half LH (w/grease fitting hole)
81	714-0135	#91 Woodruff Key 1/4 x 3/4 Dia.



STYLE #6

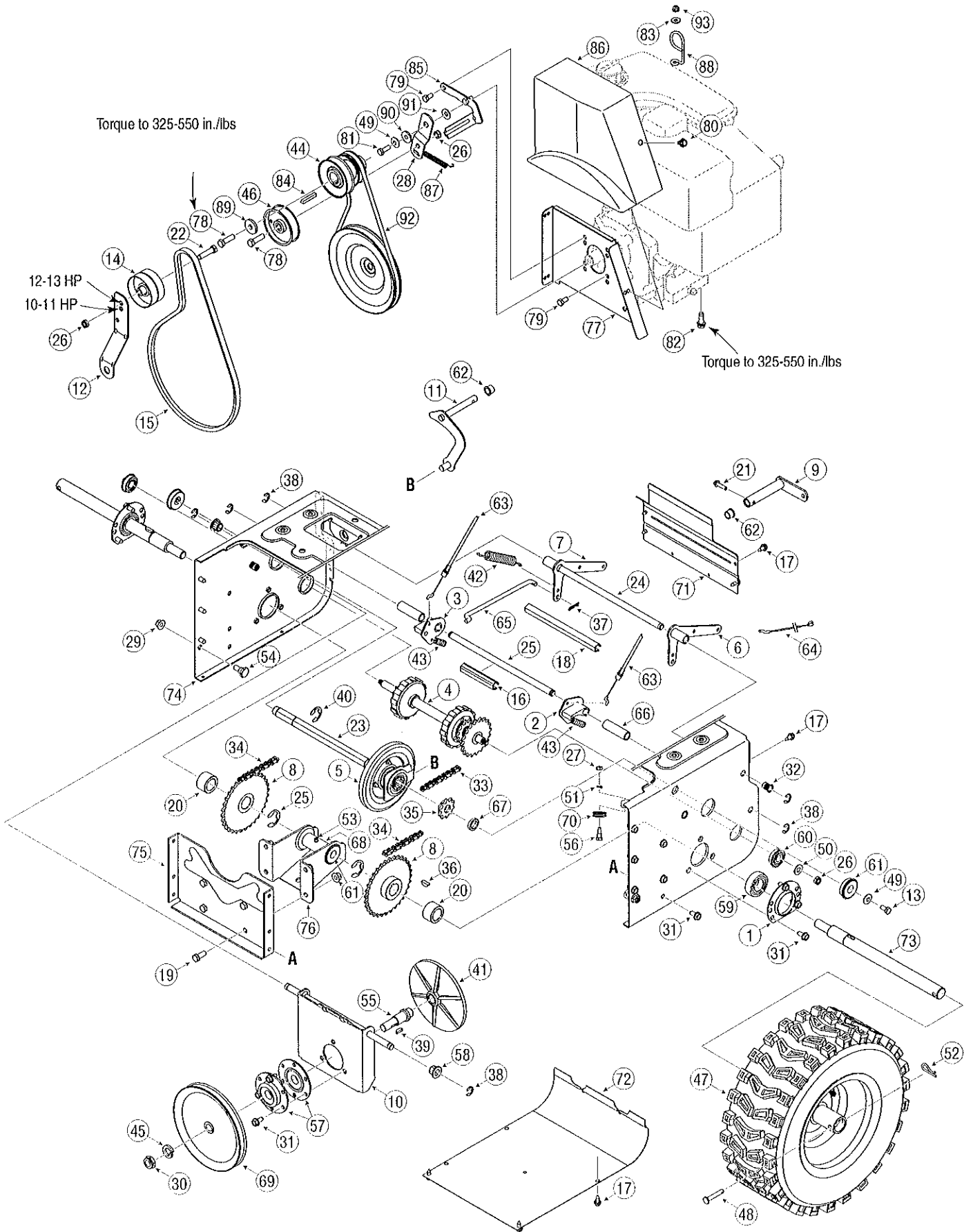


STYLE #3



REF NO. N° DE RÉF.	PART NO. N° DE PIÈCE	DESCRIPTION
1	STYLE 3 731-0061	Black Handle Panel (*)
	731-1873A	Yellow Handle Panel (*)
	731-2608	Grey Handle Panel (*)
2	STYLE 6 731-2298	Black Handle Panel (*)
	712-04063	Hex Flange Locknut 5/16-18 Gr. F Nylon
3	710-1003	Hex Tapp Wash Hd. Scr. #10 x 5/8
4	625-0007A	Top Mounting Halogen Lamp Assembly
5	725-0586	Lamp Housing
6	725-1300	Sealed Beam 18 Watt CGE #4414-1
7	736-0119	L-Wash 5/16 ID
8	736-0329	L-Wash 1/4 ID
9		Ground Wire
10	725-1301A	Top Mount 18 watt Lamp Ass'y (sealed beam)
11	712-3010	Hex Nut 5/16-18 hd. Gr. 5
12	712-0138	Hex Nut 1/4-28 Gr 5
13	736-0159	Flat Wash .349 ID x .879 OD x .063
14	710-0559	Hex Screw 1/4-28 x 1.75 Gr 5
15	710-0276	Carriage Bolt 5/16-18 x 1.00" Lg
16	710-0451	Carriage Bolt 5/16-18 x .75
17	735-0225	Grommet .38 ID X .50 OD X .12
18	705-5217	Lamp Mounting Brkt.
19	725-1669	Lamp/Lens Housing Ass'y
20	731-1364	Halogen Lamp Housing
21	710-1240	Phillips Pan Hd. Scr. M4 x 16mm
22	725-1658	Bulb #890, 12 V, 27 Watt
23		

* w/whole for top mounting light and chute tilt cut out
avec trou de montage du phare et pour goulotte inclinable



REF NO. N° DE RÉF	PART NO. N° DE PIÈCE	DESCRIPTION
1	05244B	Bearing Housing
2	618-0279	LH Dog Assembly
3	618-0280	RH Dog Assembly
4	618-0282E	Steering Shaft Assembly
5	618-04178	Wheel Ass'y Bearing 6.0" OD
	718-04034	Friction Wheel Bonded
	710-0896	Hex Wash. Hd. TT Scr. 1/4-14 x .625
6	684-0118A	Actuator Auger Bracket Ass'y
7	684-0119A	Actuator Drive Bracket Ass'y
8	684-04235	32T Sprocket Ass'y
9	684-0161	Shift Arm Ass'y
10	684-04212	Friction Drive Support
11	684-04103	Shift Ass'y Rod
12	784-0385A	Auger Idler Bracket
13	710-0538	Hex L-Bolt 5/16-18 x .62
14	710-0178	Flat Idler Pulley
15	754-0222A	V-Belt 1/2 x 44" Lg. (12-13 HP)
	754-04131	V-Belt 1/2 x 42" Lg. (10-11 HP)
16	750-04718	Spacer .51 ID x 3.66" Lg.
17	710-1652	Hex Wash Hd TT Scr. 1/4-20 x .625
18	750-04717	Spacer .51 ID x 7.895" Lg.
19	710-3001	Hex Hd. C-Sunk Scr. 3/8-16 x .880 Gr. 5
20	750-04703	Spacer 1.0 ID x 1.5" Lg.
21	710-0788	Hex Bolt 1/4-20 x 1.00
22	710-0459A	Hex Scr 3/8-24 x 1.50 Gr. 5
23	711-04279	Hex Drive Shaft
24	711-04605	Actuator Shaft
25	716-04048	Retaining Ring
26	712-0116	Hex Nut 3/8-24
27	712-0138	Hex Nut 1/4-28
28	784-5726	Drive Idler Bracket
29	712-04065	Flange L-Nut 3/8-16 Gr. F Nylon
30	712-0413	Hex Jam Locknut 5/8-18 Gr. 5 Nylon
31	710-04484	TT Screw, 5/16-18 x .75
32	712-0717	Nut Insert 3/8-16 UNC
33	713-0284	#41 Chain 1/2" pitch x 36 links- Endless
34	713-0286	#420 Chain 1/2" pitch x 40 links-Endless
35	713-04015	10T Sprocket #41 x .500
36	714-0135	Woodruff Key
37	714-0104	Int. Cotter Pin 5/16 DIA
38	716-0104	E-ring
39	714-0388	No. 61 Hi-Pro Key 3/16 x 5/8
40	716-0136	Retaining Ring E-Type .875 dia.
41	717-0302	Aluminum Drive Plate
42	732-0121	Idler Extension Spring
43	732-0209	Extension Spring .47 OD x 2.03 Lg.
44	756-0241B	Pulley, Dbl 3.25 OD
45	736-0158	Lockwasher 5/16 ID
46	756-0240	Flat Idler Pulley 3.0 OD
47		See Chart below
48	711-04615	Clevis Pin
49	736-0242	Cupped Washer .345 ID x .88 OD x .06
50	736-0300	Flat Washer .385 ID x .87 OD x .06
51	736-0329	L-Wash 1/4 ID
52	714-0149B	Int. Cotter Pin
53	737-0300	Grease
54	738-0143	Shld. Scr. .500 Dia. x .335" Lg.
55	738-0279	Drive Plate Spindle
56	738-0924A	Hex Shld.Scr.1/4-28 x .375
57	741-0163A	Bearing Hsg. Ass'y.
58	741-04108	Hex Flange Bearing
59	741-04025	Self aligning brg. 1.0 ID

REF NO. N° DE RÉF	PART NO. N° DE PIÈCE	DESCRIPTION
60	741-04076	Ball Bearing .5625 ID x 1.3750 x .437
61	741-0563	Ball Bearing w/snap ring
62	741-0748	Flange Bushing .500 ID x .627 OD
63	746-0949A	Steering Cable
64	746-0951	Auger Idler Cable
65	747-0973	Drive Clutch Rod
66	750-0903B	Split Spacer 1/2 x 5/8 x 2.69
67	750-0997	Spacer .625 ID x 1.0 OD x .23
68	750-1302B	Spacer .6725ID x 1.125OD x 2.485
69	756-0344	1/2" "V" Pulley .625 ID x 7.50 OD
70	756-0625	Cable Guide Roller
71	790-00257	Upper Frame Cover
72	790-00259	Lower Frame Cover
73	711-04608	Axle .995 x 12.6" Lg. (28")
	711-04607	Axle.995 x 14.10" Lg (30" & 33")
	711-04606	Axle .995 x 20.4" Lg. (45")
74	790-00255	Transmission Frame Ass'y (900)
75	784-0406A	Frame Support Bracket
76	784-0407	Axle Brg. Support Bracket
77	790-00254	Belt Cover Bracket
78	710-0191	Hex Screw 3/8-24 x 1.25 Gr. 8 Special
79	710-0237	Hex Screw 5/16-24 x .625 Gr. 5
80	710-0607	Hex Wash HD S-Tapp Scr 5/16-18 x .50
81	710-0672	Hex HD. Cap Scr. 5/16-24 x 1.25 Lg. Gr
82	710-0654A	Hex Wash HD Tap Scr 3/8-16 x 1.00
83	736-0173	Flat Washer .28 ID x .74 OD x .063
84	714-0118	Square Key 1/4 x 1/4 x 1.50" Lg.
85	790-00167A	Belt Keeper Bracket
86	731-2531	Belt Cover
87	732-0303	Brake Return Ext. Spring 3.18" Lg.
88	732-0705	Cable Control Wire
89	736-0247	Flat Washer .406 ID x 1.25 OD x .160
90	748-0234	Shoulder Spacer .25 THK
91	736-0159	Flat Wash .349 ID x .879 OD x .063 (12-13 HP)
	748-0418	Spacer .33 ID x 1.01 OD x .36 (10-11 HP)
92	754-0131	V-Belt 3/8 x 35.5" Lg. (12-13 HP)
	754-0367	V-Belt 3/8 x 34.4" Lg. (10-11 HP)
93	712-04064	Hex Flg. L-Nut 1/4-20 Gr. F Nylon