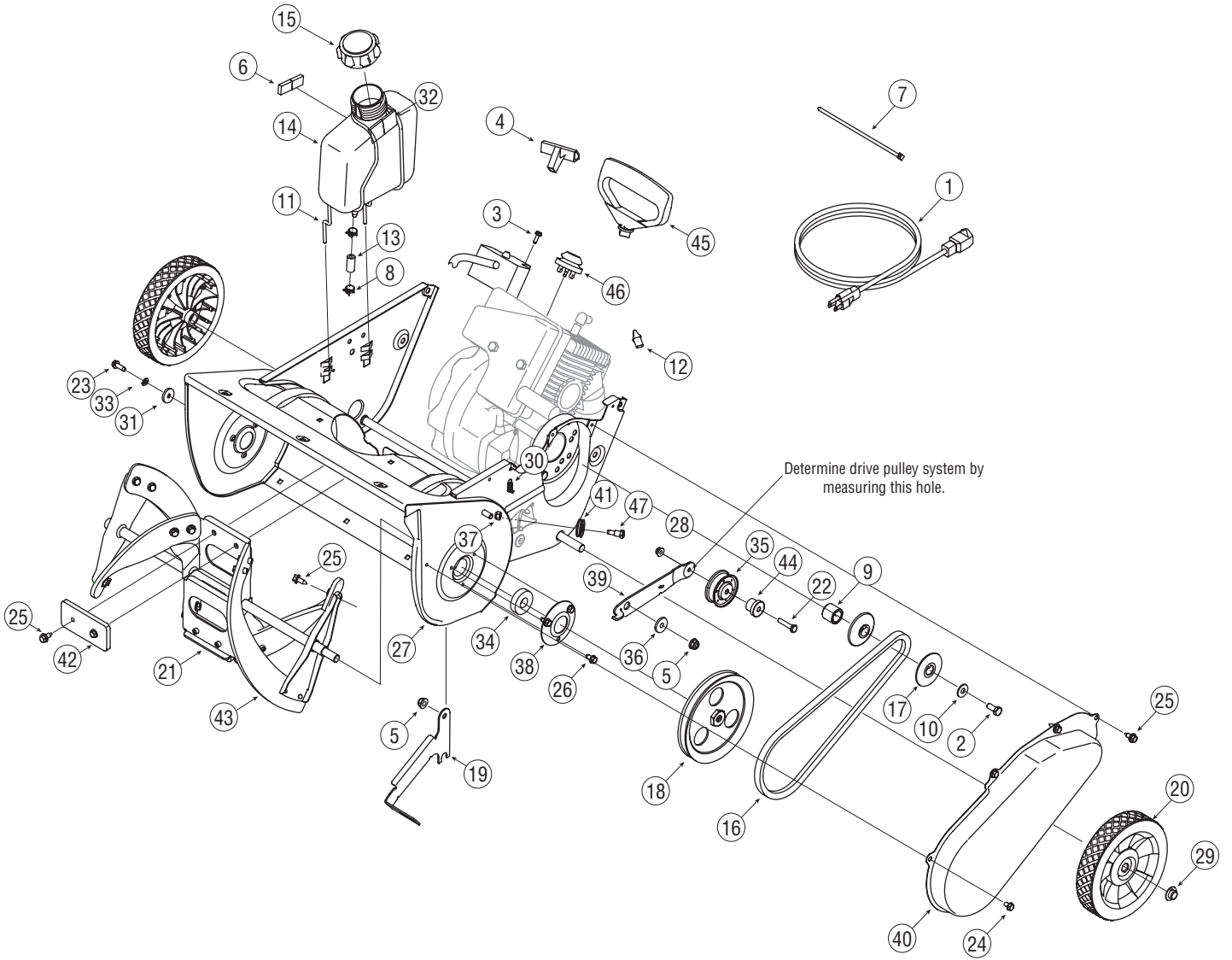


# Model Series S230-240



# Model Series S230-240

REF NO.	PART No.	DESCRIPTION	Qty.	REF NO.	PART No.	DESCRIPTION	Qty.
1	629-0236†	Extension Cord	1	26	710-0352	Screw, 1/4-14 x .375	6
2	710-0627	Hex Screw, 5/16-24 x .75	1	27	684-04227	Auger Assembly Housing 21"	1
3	710-1003†	Screw, #10-16 x .625	2	28	712-04064††	Hex Flange Lock Nut, 1/4-20	1
4	7510009630	Recoil Handle	1		712-0116*	Jam Lock Nut 3/8--24	1
5	712-04063	Hex Flange Lock Nut, 5/16-18	2	29	726-0299	Push Cap, 1/2"	2
6	722-3022	Foam Tape .625 X.25	2	30	732-0357A	Extension Spring	1
7	726-0154	Push Mount Cable Tie	1	31	736-0176	Flat Washer .265 x .938 x .120	1
8	726-0205	Clamp, Hose	2	32	721-04006	Fuel Tank Gasket	2
9	750-0716A	Spcr., .630 x .880 x .747	1	33	736-0329	Lock Washer, 1/4	1
10	736-0242	Bell Washer, .340 x .872 x .060	1	34	741-04188	Ball Bearing	2
11	747-04150	Gas Tank Support Wire	1	35	684-04168††	Idler Pulley	1
12	7511825510	Choke Lever Knob	1		756-0313*	Idler Pulley	1
13	751-0535	Hose, Fuel Line	18	36	748-0234	Shoulder Spacer .25	1
14	751-10023	Tank, Fuel	1	37	712-0896	Hex Lock Nut 1/4-28	1
15	751-10278	Cap, Fuel	1	38	790-00249	Bearing Cup	2
16	754-0367	V-Belt, 3/8 x 34.4 Lg.	1	39	790-00283††	Idler Brkt. w/Brake	1
17	756-0416B	Pulley Half, .625 ID x 2.25 OD	2		790-00238*	Idler Brkt. w/ Brake	1
18	756-04243	Pulley, V Type, 3/8 x 6.0 OD	1	40	790-00045A	Belt Cover	1
19	790-00225	2-Cycle Mounting Bracket	1	41	756-0625	Cable Roller	1
20	734-04070	Wheel, 7 x 1.61 Dia. Tread	2	42	735-04033	Rubber Paddle	2
21	684-04228	Auger Assembly Complete	1	43	735-04032	Crescent Spiral	4
22	710-0106††	Hex Screw, 1/4-20 x 1.00 Gr. 5	1	44	750-04571	Shldr., Spcr., .260 x .785 x .538	1
	710-0191*	Hex Screw 3/8-24 x 1.25	1	45	7510009636†	Recoil Handle, Mitten	1
23	710-0642	Hex Screw 1/4-20 x .75 Gr. 5	1	46	7512B1476	Primer	1
24	710-0653	Self-tapping Screw 1/4-20 x .375	1	47	738-0924A	Carriage Screw 1/4-28	1
25	710-0896	Hex Screw, 1/4-14 x 0.625"	24				

† If Equipped

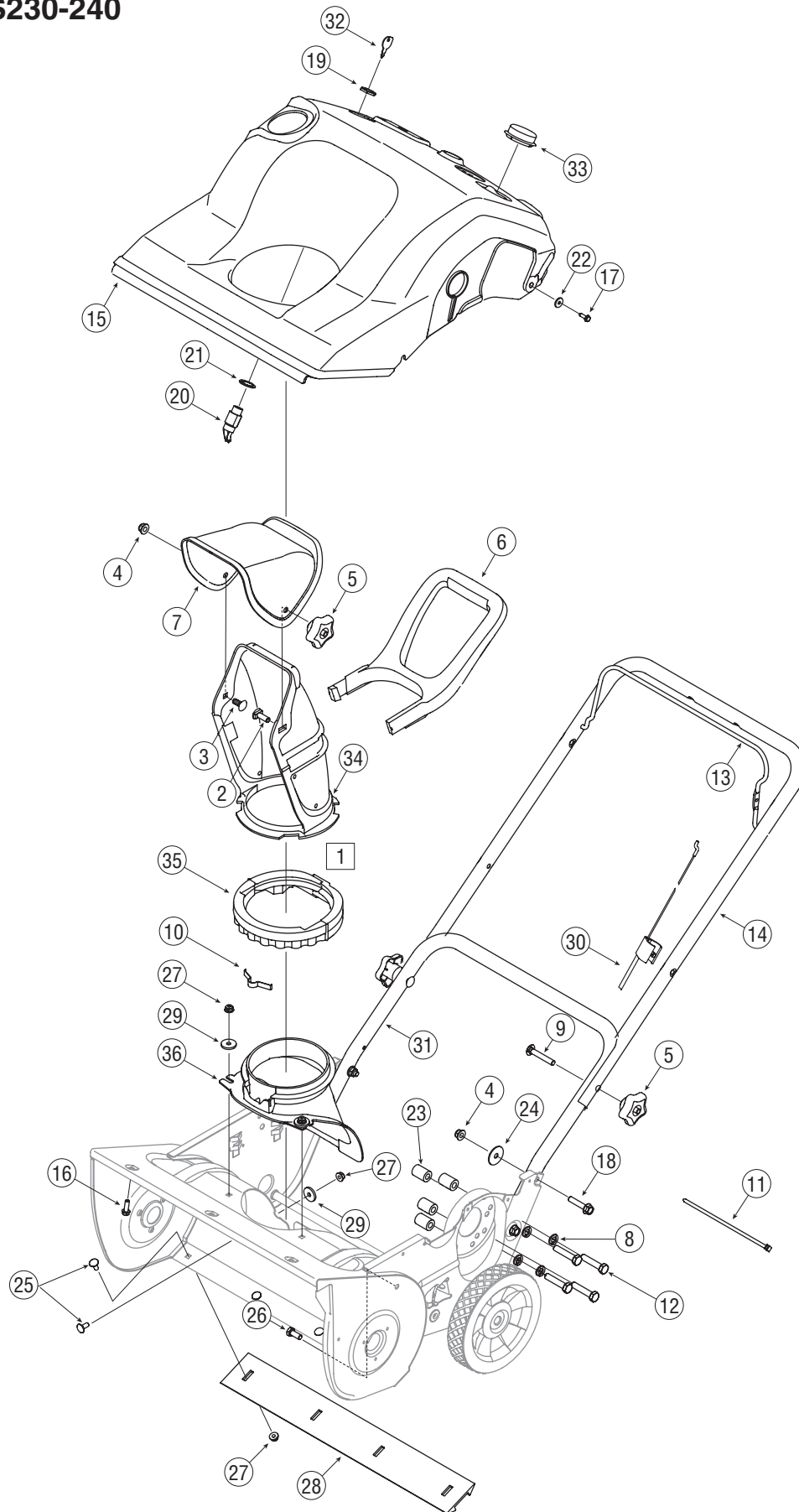
†† Pulley Hole 1/4"

\* Pulley Hole 3/8"

NOTE: For a proper working machine, use Factory Approved Parts. V-belts are designed to engage and disengage safely. A substitute (non OEM) V-belt can be dangerous by not disengaging completely.

NOTE: Snow thrower features/components vary by model. NOT all parts listed above and pictured on the previous page are standard equipment.

# Model Series S230-240



## Model Series S230-240

REF NO.	PART NUMBER	DESCRIPTION	Qty.
1	684-04127	Chute Assembly	1
2	710-04071	Carriage Bolt 5/16-18 x 1.0"	1
3	710-0451	Carriage Bolt 5/16-18 x 0.750"	1
4	712-04063	Flange Lock Nut, 5/16-18	7
5	720-04072	Star Knob, 5/16-18	2
6	731-04388A	Chute Handle	1
7	731-04426A	Upper Chute	1
8	736-0119	Lock Washer, 5/16	1
9	710-04532	Carriage Screw, 5/16-18 x 2.0 Gr. 5	2
10	732-04111	Chute Adjustment Spring	1
11	725-0157	Cable Tie	1
12	710-0805	Screw, 5/16-18 x 1.50	4
13	747-04165	Bail, Gull Wing	1
14	749-1092A	Upper Handle, Gull Wing	1
15	684-04043	Shroud Assembly 2 Cyc. 3.5hp.	1
	684-04044	Shroud Assembly 2 Cyc. 4.5hp.	1
16	710-04187	Screw, 1/4-15 x .50	3
17	710-1003	Self-tapping Screw, #10-16 x .625"	3
18	710-1882	Hex Flange Screw 5/16-18 x 1.50 Gr. 5	4
19	712-0252	Hex Nut 5/8-32 x .12 Special	1
20	725-2018	Key Switch-Electric Start	1
21	736-0225	Lock Washer Internal .625 x 1.058	1
22	736-0400	Flat Washer .194" x .62" x .063	5
23	750-0589	Spcr., .325 ID x .625 OD x .88 Lg.	4
24	736-0362	Flat Washer .330 x 1.25 x .06	2
25	710-0134	Screw, 1/4-20 x .62	8
26	710-3008	Truss Machine Screw, 5/16-18 x .75	1
27	712-04064	Hex Flange Lock Nut, 1/4-20	9
28	731-1033	Shave Plate,19.88	1
29	736-0176	Flat Washer .265 x .938 x .120	3
30	746-04237	Control Cable	1
31	749-04114	Lower Handle	1
32	725-0201	Ignition Key	2
33	731-1133C	Spark Plug Cover	1
34	731-04127	Lower Chute 5" Dia	1
35	731-04353	Ring-Lower Chute	1
36	731-04886	Chute, Adapter 5" Dia	1