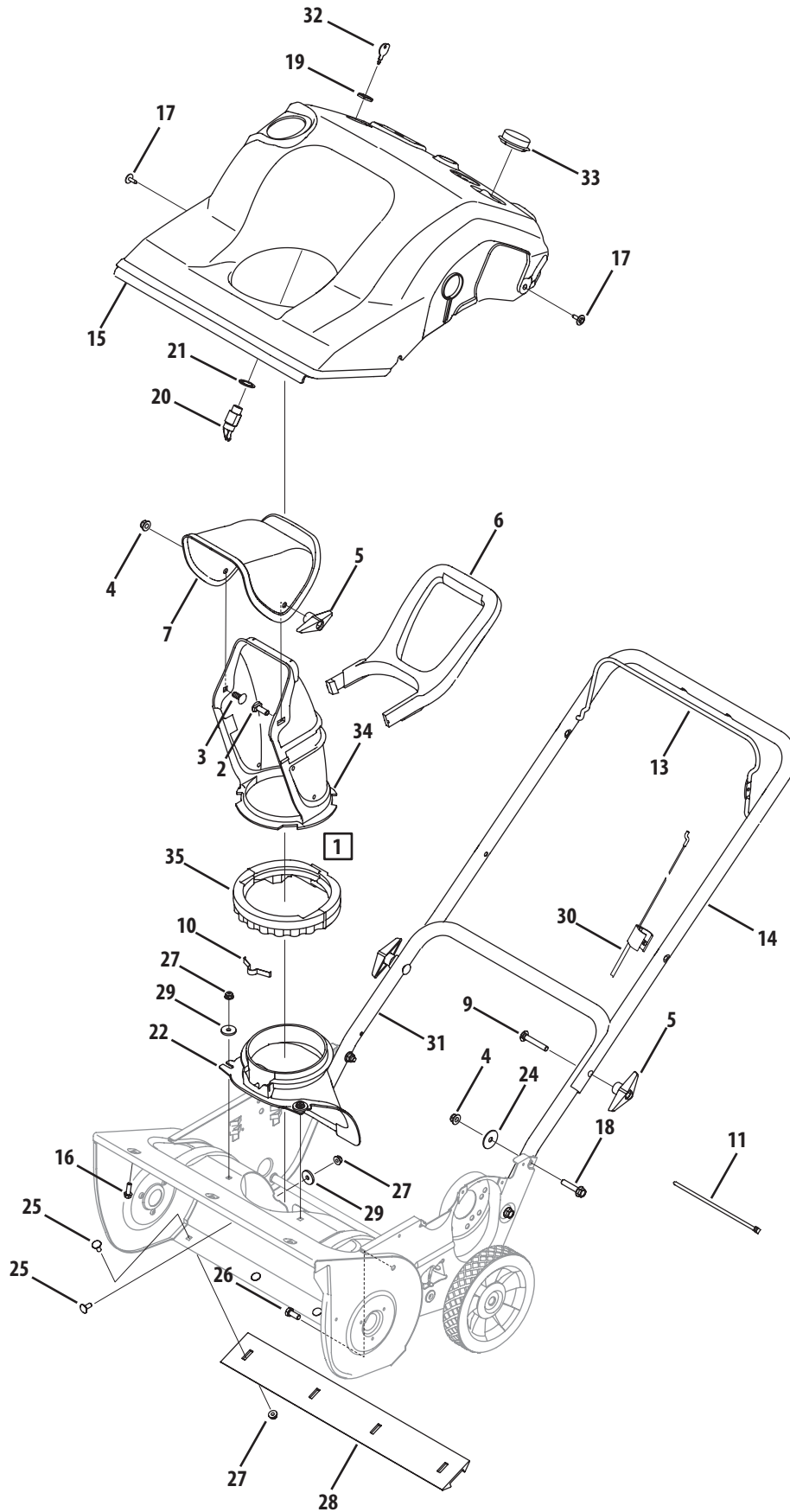


Model Series 200 - Chute & Handle

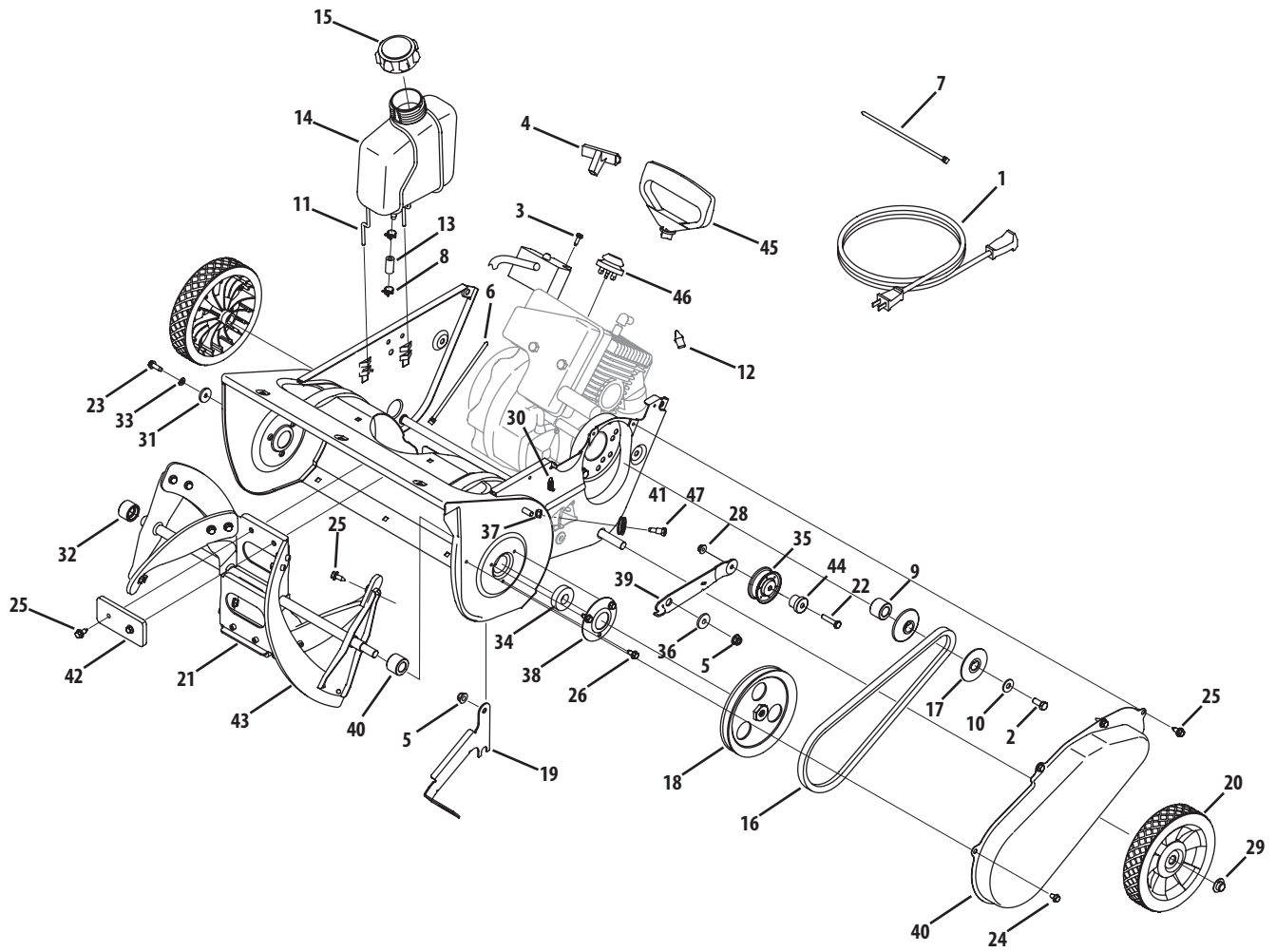


Model Series 200 - Chute & Handle

Ref No.	Part Number	Description
1	684-04127	Chute Assembly
2	710-04071	Carriage Bolt 5/16-18 x 1.0"
3	710-0451	Carriage Bolt 5/16-18 x 0.750"
4	712-04063	Flange Lock Nut, 5/16-18
5	720-0284	Wing Knob, 5/16-18
6	731-04388A	Chute Handle
7	731-04426A	Upper Chute
8	736-0119	Lock Washer, 5/16
9	710-04532	Carriage Screw, 5/16-18 x 2.0 Gr. 5
10	732-04111	Chute Adjustment Spring
11	725-0157	Cable Tie
12	710-0805	Screw, 5/16-18 x 1.50
	710-3025†	Screw, 5/16-18 x .625
13	747-04165	Bail, Standard
	747-04159A	Bail, Gull Wing
14	749-1092A	Upper Handle, Standard
	749-04106	Upper Handle, Gull Wing
15	684-04043	Shroud Assembly 2 Cyc. 3.5hp.
	684-04044	Shroud Assembly 2 Cyc. 4.5hp.
	684-04161	Shroud Assembly 2 Cyc. 5.5hp.
16	710-04187	Screw, 1/4-15 x .50
17	710-04669	Self-tapping Screw, #10-16 x .625"
18	710-1882	Hex Flange Screw 5/16-18 x 1.50
19	712-0252	Hex Nut 5/8-32 x .12 Special
20	725-2018	Key Switch-Electric Start
21	736-0225	Lock Washer Internal .625 x 1.058
22	731-04886	Chute, Adapter 5" Dia
23	750-0589	Spcr., .325 ID x .625 OD x .88 Lg.
24	736-0362	Flat Washer .330 x 1.25 x .06
25	710-0134	Screw, 1/4-20 x .62
26	710-3008	Truss Machine Screw, 5/16-18 x .75
27	712-04064	Hex Flange Lock Nut, 1/4-20
28	731-1033	Shave Plate, 19.88
29	736-0176	Flat Washer .265 x .938 x .120
30	746-04237	Control Cable
31	749-04114	Lower Handle
32	725-0201	Ignition Key
33	731-1133C	Spark Plug Cover
34	731-04127	Lower Chute 5" Dia
35	731-04353	Ring-Lower Chute

NOTE: Snow thrower features/components vary by model. NOT all parts listed above and pictured on the previous page are standard equipment.

Model Series 200 - Auger & Drive System



Model Series 200 - Auger & Drive System

Ref No.	Part Number	Description
1	629-0236††	Extension Cord
2	710-0627	Hex Screw, 5/16-24 x .75
3	710-1003††	Screw, #10-16 x .625
4	7510009630*	Recoil Handle
5	712-04063	Hex Flange Lock Nut, 5/16-18
6	725-0157††	Cable Tie
7	726-0154	Push Mount Cable Tie
8	726-0205	Clamp, Hose
9	750-0716A†	Spcr., .630 x .880 x .747
10	736-0242	Bell Wash., .340 x .872 x .060
11	747-04150	Gas Tank Support Wire
12	7511825510	Choke Lever Knob
13	751-0535	Hose, Fuel Line
14	751-10023	Tank, Fuel
15	751-10487	Cap, Fuel
16	754-0367†	V-Belt
	754-0101A††	V-Belt
17	756-0416B	Pulley Half, .625 ID x 2.25 OD
18	756-04243†	Pulley, V Type, 3/8 x 6.0 OD
	756-04232††	Pulley, V Type, 1/2 x 6.0 OD
19	790-00225	2-Cycle Mounting Bracket
20	734-04070	Wheel, 7 x 1.61 Dia. Tread
	734-04063	Wheel, 7 x 1.5 Star Dia. Tread
21	684-04253	Auger Assembly Complete
22	710-0106	Hex Screw, 1/4-20 x 1.00 Gr. 5
23	710-0642	Hex Screw 1/4-20 x .75 Gr. 5

Ref No.	Part Number	Description
24	710-0653	Self-tapp Screw, 1/4-20 x .375
25	710-0896	Hex Screw, 1/4-14 x 0.625"
26	710-1005	Screw, 1/4-14 x .500
27	684-04227	Auger Assembly Housing 21"
28	712-04064	Hex Flange Lock Nut, 1/4-20
29	726-0299	Push Cap, 1/2"
30	732-0357A	Extension Spring
31	736-0176	Flat Washer .265 x .938 x .120
32	750-04758	Spacer, Auger, RH
33	736-0329	Lock Washer, 1/4
34	741-04188A	Ball Bearing
35	684-04168	Idler Pulley
36	748-0234	Shoulder Spacer .25
37	712-0896	Hex Lock Nut 1/4-28
38	790-00249	Bearing Cup
39	790-00238A	Idler Brkt. w/Brake
40	790-00045A	Belt Cover
41	756-0625	Cable Roller
42	735-04033	Rubber Paddle
43	735-04032	Crescent Spiral
44	750-04571	Shldr., Spcr., .260 x .785 x .538
45	7510009636*	Recoil Handle, Mitten
46	7512B1476	Primer
47	738-0924A	Carriage Screw 1/4-28
48	750-04757	Spacer, Auger, LH

† Equipped with Non-Electric Start Units

†† Equipped with Electric Start Units

* If Equipped

NOTE: For a proper working machine, use Factory Approved Parts. V-belts are designed to engage and disengage safely. A substitute (non OEM) V-belt can be dangerous by not disengaging completely.

NOTE: Snow thrower features/components vary by model. NOT all parts listed above and pictured on the previous page are standard equipment.