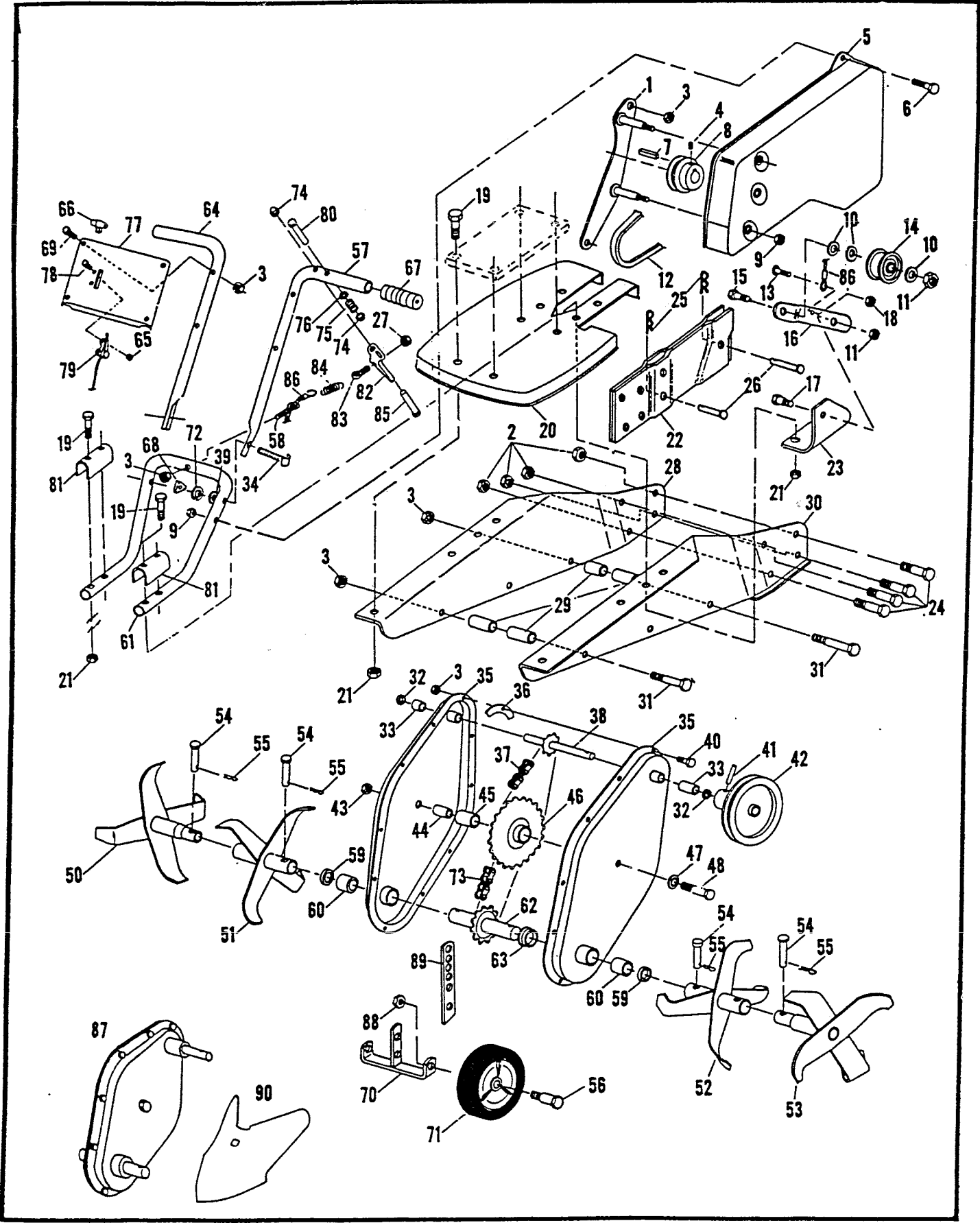


MODEL: 31C
3 HP ROTARY TILLER



MODEL: 31C
3 HP ROTARY TILLER

PARTS LIST

Ref. No.	Part No.	Description	Ref. No.	Part No.	Description
1	22-138AS	Belt Guide Plate Assembly	48	20-313	Bolt - Hex 3/8-16 x 2-1/4
2	19-206	Nut - 5/16-18 Whizlock	49	80-13	Cup - Shaft Cover
3	19-117	Nut - Hex 1/4-20 Locking	50	84-87AS	Tine & Hub Assembly - R.H. Outer
4	20-297	Set Screw	51	84-85AS	Tine & Hub Assembly - R.H. Inner
5	10-253AS	Belt Guard Assembly	52	84-84AS	Tine & Hub Assembly - L.H. Inner
6	18-18	Bolt - 1/4-20 x 1-1/2	53	84-86AS	Tine & Hub Assembly - L.H. Outer
7	16-16	Key - 3/16 Sq. x 1-1/4	54	28-119	Pin - Clevis 5/16 x 1-1/4
8	105-98	Pulley - Forward	55	28-77	Hairpin
9	19-194	Nut - 1/4-20 Whizlock Flange	56	20-360	Bolt - Shoulder
10	21-33	Washer - 5/16 Flat	57	4-215	Handle - L.H.
11	19-111	Nut - 3/8-16 Center Lock Jam	58	20-323	Bolt - Eye 1/4-20 x 2-1/2
12	107-38	Belt - Forward	59	74-35	Seal - Oil, Output
13	20-332	Bolt - 10-24 x 3/8 Lg. Phillips	60	11-171	Bearing - Output Shaft
14	105-87AS	Idler Pulley Assembly	61	6-73	Yoke
15	20-67	Bolt - 3/8-16 x 1 Hex Black	62	102-162AS	Output Shaft Assembly
16	79-175	Arm - Forward Idler	63	26-140	Spacer - Tine Shaft
17	18-60	Bolt - Shoulder 3/8-16 Thread	64	4-216	Handle - R.H.
18	19-141	Nut - Lock 10-24	65	19-1	Nut - 10-24 Hex Keps
19	20-83	Bolt - Hex 5/16-18 x 1-3/4	66	46-36	Knob - Throttle Control
20	68-25	Hood - Tine	67	5-5	Grip - Handle
21	19-118	Nut - 5/16-18	68	46-58	Knob - Plastic
22	7-425AS	Bracket Assembly - Depth Bar	69	18-123	Bolt - Carriage
23	7-414	Bracket - Idler Mounting	70	7-426AS	Bracket Assembly - Wheel
24	20-322	Bolt - 5/16-18 x 1 Whizlock	71	3-169	Wheel - 8"
26	28-7	Hairpin	72	21-197	Washer - Lock
26	28-6	Pin - Clevis	73	110-56	Chain - Roller, No. 420
27	19-41	Nut - 1/4-20 Elastic	74	19-201	Palnut - 1/4" Dia.
28	163-4	Beam - Main Support, R.H.	75	76-11	Spring
29	26-141	Spacer - Beam	76	21-13	Washer - 1/4" Dia.
30	163-3	Beam - Main Support L.H.	77	41-194	Panel - Handle Bar
31	18-22	Bolt - Hex 1/4-20 x 2	78	20-282	Screw - 10-24 x 1/2 Hex Washer Head
32	74-32	Seal - Oil, Input	79	8-114	Control - Throttle
33	11-169	Bearing - Input Shaft	80	28-123	Pin - Clevis 1/4" Dia. x 1-3/4
34	20-315	Bolt - Curved Head	81	13-18	Sleeve - Yoke Mounting
35	128-46AS	Weld Assembly - Transmission Half	82	4-214	Handle - Control
36	58-18	Gasket - Transmission Housing	83	18-53	Bolt - Spade
37	110-55	Chain - Roller, No. 42	84	76-18	Spring - Idler Lever
38	102-160AS	Input Shaft Assembly	85	28-122	Pin - Clevis 1/4" Dia. x 1-1/2
39	21-191	Washer - Curved	86	47-576	Cable - Control
40	20-145	Bolt - 1/4-20 x 1/2 Hex	87	128-49AS	Transmission Assembly
41	28-23	Pin - Roll 3/16 x 1-1/4	88	19-119	Nut - 3/8-16 Lock
42	105-105AS	Pulley Assembly	89	136-29	Bar - Depth
43	19-147	Nut - 3/8-16 Keps			
44	13-19	Sleeve - Bearing			
45	11-170	Bearing - Center Hub			
46	135-58AS	Sprocket & Hub Assembly			
47	21-207	Washer - 3/8 Dia. T-Lock			
					OPTIONAL ACCESSORY
			90	23-56	Furrowing Kit