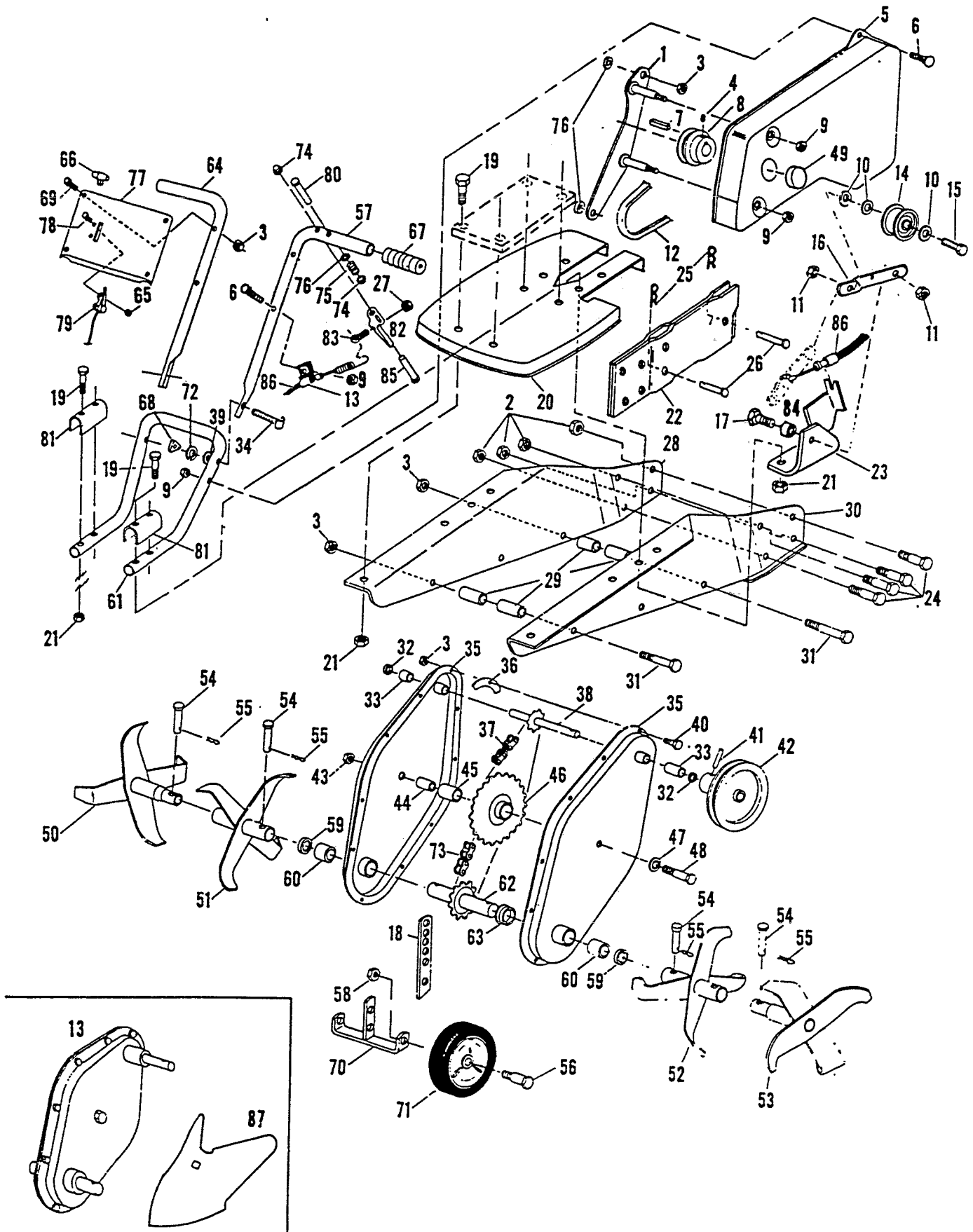


Model 31GT
3Hp Chain Drive Tiller



Model 31GT

Ref. No.	Part No.	Description	Ref. No.	Part No.	Description
1	463687	Belt Guide Plate Assembly	48	459032	Bolt — Hex 3/8-16 x 2-1/4
2	452193	Nut — 5/16-18 Whizlock	49	781625	Cup — Shaft Cover
3	715508	Nut — Hex 1/4-20 Locking	50	786640	Tine & Hub Assembly — R.H. Outer
4	458844	Set Screw	51	786582	Tine & Hub Assembly — R.H. Inner
5	570267	Belt Guard Assembly	52	786558	Tine & Hub Assembly — L.H. Inner
6	153932	Bolt Carriage 1/4-20 x 1-3/4	53	786616	Tine & Hub Assembly — L.H. Outer
7	446369	Key — 3/16 Sq x 1-1/4	54	488965	Pin — Clevis 5/16 x 1-1/4
8	420935	Pulley	55	490011	Hairpin
9	715078	Nut — 1/4-20 Whizlock Flange	56	459552	Bolt — Shoulder
10	461731	Washer	57	731703	Handle — L.H.
11	715524	Nut — 3/8-16 Center Lock Jam	58	715086	Nut — 3/8-16 Lock
12	421321	Belt	59	774737	Seal — Oil, Output
13	432427	Transmission Assembly	60	423632	Bearing — Output Shaft
14	420745	Idler Pulley Assembly	61	763284	Yoke
15	715326	Bolt — 3/8-16 x 1 Hex Black	62	417725	Output Shaft Assembly
16	779165	Arm — Idler	63	468249	Spacer — Tine Shaft
17	715045	Bolt — 1/4-20 x 3/4 Hex	64	731711	Handle — R.H.
18	435289	Bar — Depth	65	715334	Nut — 10-24 Hex Keps
19	460311	Bolt — Hex 5/16-18 x 1-3/4	66	744227	Knob — Throttle Control
20	570283	Hood — Tine	67	751032	Grip — Handle
21	715490	Nut — 5/16-18 Lock	68	744284	Knob — Plastic
22	771576	Bracket Assembly — Depth Bar	69	449850	Bolt — Carriage 1/4-20 x 1-1/4
23	779165	Bracket Assembly — Idler Mtg.	70	771600	Bracket Assembly — Wheel
24	459131	Bolt — 5/16-18 x 1 Whizlock	71	498592	Wheel — 8"
25	715011	Hairpin — #3	72	461665	Washer — Lock
26	489823	Pin — Clevis 3/8 x 1-5/8	73	425397	Chain — Roller, No. 420
27	452615	Nut — 1/4-20 Elastic	74	452128	Pinnut — 1/4" Dia.
28	446914	Bearing — Main Support, R.H.	75	775130	Spring
29	468256	Spacer — Beam	76	460923	Washer — 1/4" Dia.
30	446898	Bearing — Main Support L.H.	77	570275	Panel — Handle Bar
31	150433	Bolt — Hex 1/4-20 x 2	78	458687	Screw — 10-24 x 1/2 Hex Washer
32	774760	Seal — Oil, Input	79	780296	Control — Throttle
33	423608	Bearing — Input Shaft	80	489013	Pin — Clevis 1/4" Dia. x 1-3/4
34	459727	Bolt — Curved Head	81	432963	Sleeve — Yoke Mounting
35	432377	Weld Assembly — Transmission	82	731695	Handle — Control
36	762039	Gasket — Transmission Housing	83	450478	Bolt — Spade
37	425389	Chain — Roller, No. 42	84	468728	Spacer — Idler Arm
38	417691	Input Shaft Assembly	85	489005	Pin — Clevis 1/4" Dia. x 1-1/2
39	150201	Washer — Curved	86	530006	Control Cable
40	715052	Bolt — 1/4-20 x 1/2 Hex			
41	715193	Pin — Roll 3.16 x 1-1/4			
42	419689	Pulley Assembly			
43	715441	Nut — 3/8-16 Whizlock			
44	432971	Sleeve — Bearing			
45	423624	Bearing — Center Hub			
46	434829	Sprocket & Hub Assembly			
47	461780	Washer — 3/8 Dia. T-Lock			
			OPTIONAL ACCESSORY		
			87	465856	Furrowing Kit