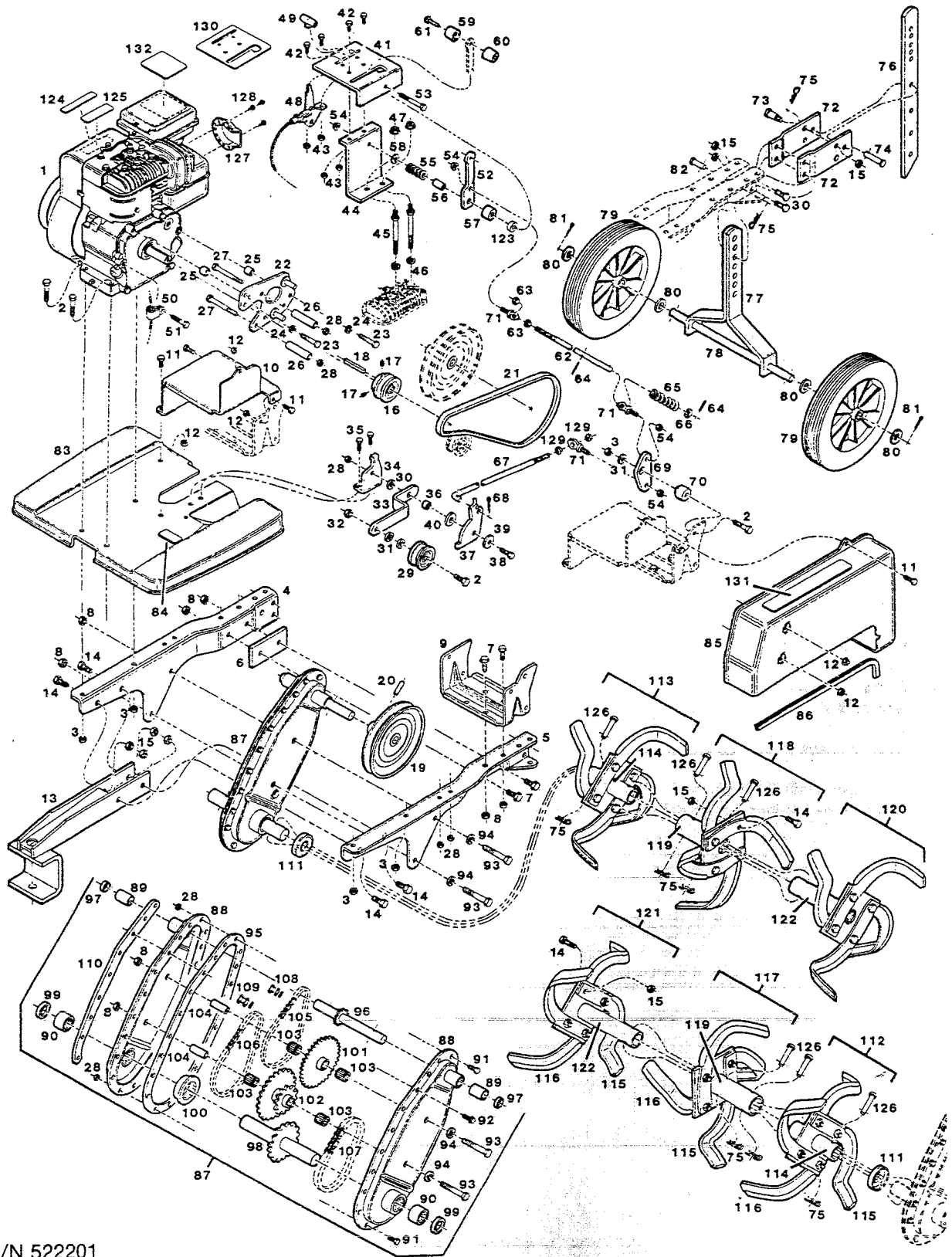


Parts Illustration - 36" Tiller Attachment



S/N 522201
O/M 542126

PARTS LIST — 36" TILLER ATTACHMENT

Index No.	Part No.	Description	Index No.	Part No.	Description
1	*	Engine - 5 H.P.	70	468066	Spacer - bellcrank
2	150250	Bolt - hex 5/16-18 x 1-1/2	71	152876	Stud - rod guide
3	715490	Nut - hex 5/16-18 top lock	72	571232	Plate - drag bar
4	575829	Beam - support R.H.	73	153650	Bolt - shoulder 3/8-16 x 1-1/4
5	575811	Beam - support L.H.	74	616532	Pin - clevis 3/8 x 1-1/2
6	468058	Spacer - beams	75	715011	Hairpin cotter
7	458968	Bolt - hex 3/8-16 x 1	76	435032	Bar - drag
8	715441	Nut - hex 3/8-16 twin whiz	77	574780	Bracket - gauge wheel
9	447011	Channel - support	78	557116	Axle - gauge wheel
10	570333	Cover - channel	79	498808	Wheel - gauge 10 x 1.75 x 1/2
11	152660	Bolt - hex 1/4-20 x 1/2	80	156075	Washer - flat 1/2
12	715078	Nut - hex 1/4-20 whiz	81	317016	Pin - cotter 1/8 x 1
13	576314	Bar - tiller hitch	82	715375	Pin - clevis 1/2 x 1-3/8
14	715326	Bolt - hex 3/8-16 x 1	83	575803	Hood - tine
15	715086	Nut - hex 3/8-16 top lock	84	446799	Pad - bumper
16	618744	Pulley - engine	85	570341	Guard - belt
17	315093	Set screw 5/16-18 x 1/4	86	447177	Strip - moulding (rubber)
18	446757	Key - pulley 3/16 square x 2	87	432310	Transmission - tine drive
19	584748	Pulley - transmission			Includes item 88 thru 110
20	314062	Pin - roll 1/4 x 1-1/8	88	432260	Case - transmission, half w/bearings
21	421321	Belt - drive			Includes next 2 parts
22	464206	Plate - belt guide	89	423442	Bearing - input shaft
23	150433	Bolt - hex 1/4-20 x 2	90	617241	Bearing - output shaft
24	715094	Washer - split lock 1/4	91	715052	Bolt - hex 1/4-20 x 1/2
25	468678	Spacer - belt guide	92	153601	Bolt - hex 1/4-20 x 3/4
26	468686	Spacer - belt guide	93	458927	Bolt - hex 3/8-16 x 2-3/4
27	450007	Bolt - hex 1/4-20 x 3-1/4	94	461780	Washer - lock 3/8 int tooth
28	715508	Nut - hex 1/4-20 top lock	95	555151	Gasket - transmission case
29	672923	Pulley - idler	96	417469	Shaft - input w/sprocket
30	152553	Washer - flat	97	774695	Seal - oil, input shaft
31	461731	Washer - flat 3/8	98	417501	Shaft - output w/sprocket
32	715524	Nut - hex jam 3/8-16	99	774547	Seal - oil, output shaft
33	557330	Arm - idler pulley	100	468033	Spacer - output shaft
34	771006	Bracket - idler mounting	101	590018	Sprocket - upper w/bearings
35	715045	Bolt - hex 1/4-20 x 3/4			Includes two of ref. #103
36	467829	Bushing - idler arm	102	590000	Sprocket - lower w/bearings
37	463323	Plate - idler pivot			Includes two of ref. #103
38	158972	Bolt - hex 1/4-20 x 1	103	423434	Bearing - needle
39	159194	Washer - flat	104	432922	Sleeve - needle bearing
40	461236	Washer - flat	105	425314	Chain - roller, No. 35
41	575787	Panel - control	106	425421	Chain - roller, No. 420
42	458687	Screw - hex slotted #10-24 x 1/2	107	425348	Chain - roller, No. 50
43	452318	Nut - hex #10-24 nylock	108	424903	Master link No. 35 chain
44	575779	Bracket - control panel	109	425124	Master link No. 420 chain
45	163568	Stud - panel bracket	110	426015	Strap - nut plate
46	311118	Washer - split lock 5/16	111	762245	Cover - hub seal
47	157610	Nut - hex 5/16-18 flange	112	570382	Tine assembly R.H. inner
48	780361	Control - throttle w/cable	113	570408	Tine assembly L.H. inner
49	744037	Knob - throttle control	114	788133	Hub - inner tines
50	447979	Clip - throttle cable	115	786483	Tine - bolo L.H.
51	450072	Bolt - hex 1/4-20 x 1-1/2	116	786707	Tine - bolo R.H.
52	558320	Lever - tine drive control	117	570390	Tine assembly R.H. intermediate
53	616094	Bolt - hex 1/4-20 x 2-1/2	118	570416	Tine assembly L.H. intermediate
54	451419	Nut - hex 1/4-20 flange top lock	119	788117	Hub - intermediate tines
55	775072	Spring - lever	120	575738	Tine assembly L.H. outer
56	156992	Spacer - spring	121	575746	Tine assembly R.H. outer
57	158394	Spacer - lever, long	122	788026	Hub - outer tines
58	615690	Washer - flat 1/4	123	467779	Spacer - lever, short
59	744086	Knob - control lever, plain	124	402016	Decal - hand placement
60	744094	Knob - control lever, threaded	125	551846	Decal - caution disengage
61	458661	Screw - phillips #10-24 x 1-1/4	126	488825	Pin - clevis 3/8 x 2
62	783985	Rod - linkage, clutch control	127	132142	Deflector - muffler
63	310045	Nut - hex 5/16-18	128	120048	Screw - hex #8-32 x 3/8
64	489393	Pin - roll 1/8 x 3/4	129	310052	Nut - hex 1/4-20
65	775080	Spring - linkage rod	130	552927	Decal - control panel
66	715185	Washer - flat 5/16	131	551648	Decal - caution
67	530402	Rod - linkage	132	551655	Decal - tine warning
68	715029	Pin - cotter 3/32 x 3/4			
69	530428	Bellcrank - linkage rods			

*Contact Engine Manufacturer's authorized service dealer for parts and warranty.

S/N 522201
O/M 542126