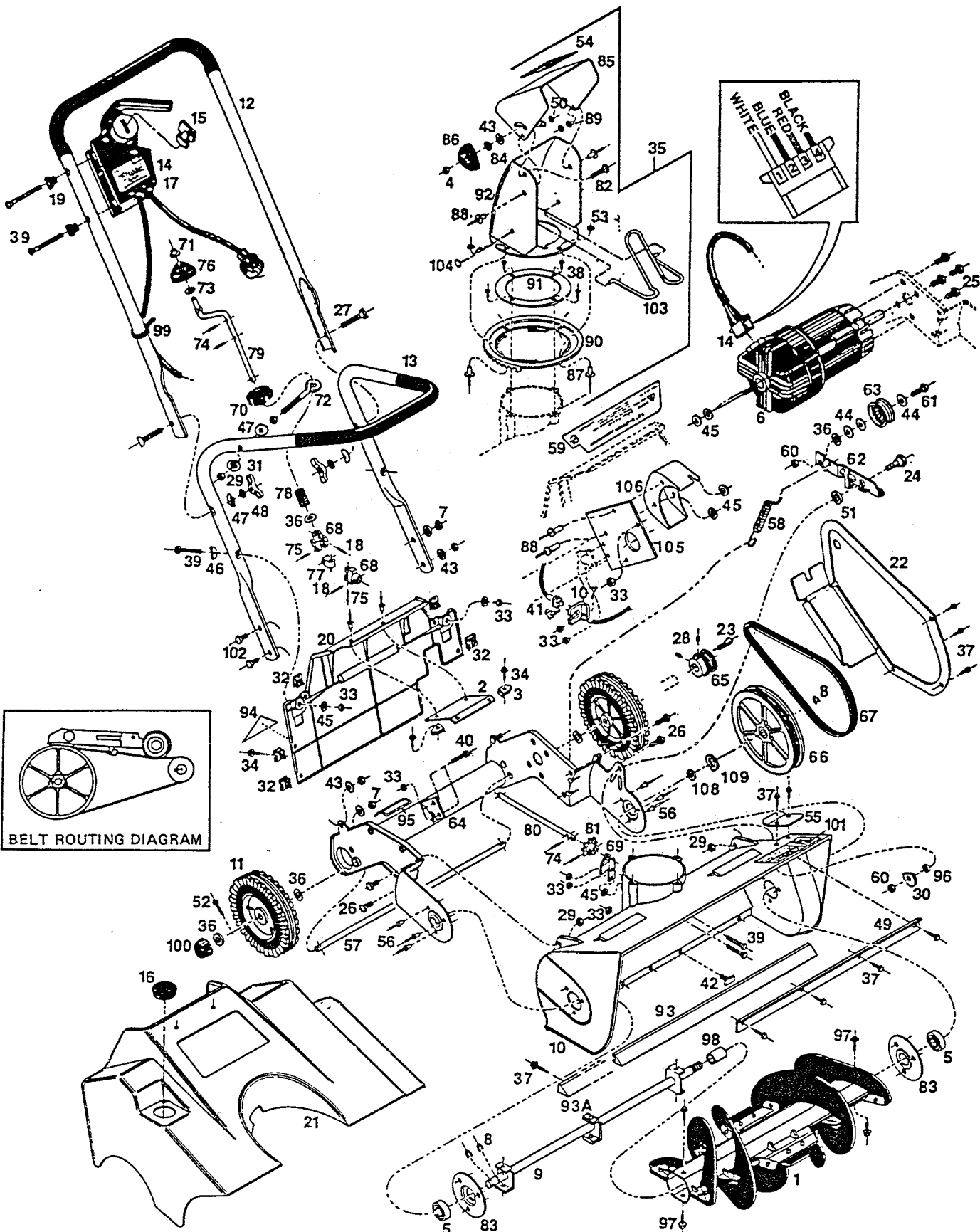


4047A

(cat. no. 812-1303)

22" Electric Snowthrower



NOTE: Ref. No. 93 uses (5) Ref. No.42  
Ref. No. 93A uses (5) Ref. No. 37

4047A

(cat. no. 812-1303)

22" Electric Snowthrower

Ref. No.	JCPenney Part No.	Supplier Part No.	Description	Ref. No.	JCPenney Part No.	Supplier Part No.	Description
1	1291-5963	712620	Auger Assembly	56	1159-2631	764225	Pop Rivet 3/16 x 3/8
2	1159-7069	772749	Support Bracket - Panel	57	1230-5934	662221	Axle
3	1159-7077	452383	Nut - Tinnerman	58	1264-4944	662809	Spring - Idler Arm
4	1066-3565	451179	Nut - 1/4-20 Eslock	59	1264-4951	677997	Decal - Control Panel
5	1159-7085	423756	Bearing	60	1072-5224	715524	Nut - 3/8-16 Center Lock Jam
6	1238-8559	610006	Motor - Electric	61	1072-5265	715326	Bolt - 3/8-16 x 1 Hex
7	1066-3565	715508	Nut - 1/4-20 Top Lock	62	1291-6201	697425	Idler Arm
8	1159-7093	789883	Retaining Ring	63	1230-5967	697144	Idler Pulley
9	1291-5971	697326	Shaft Assembly	64	1230-5975	791624	Frame Assembly
10	1230-5835	672006	Housing - Collector/Auger	65	1264-4977	707836	Pulley - Motor
11	1230-5843	041129	Wheel - 6" Plastic	66	1291-6128	672469	Pulley - Auger
12	1264-3052	657064	Handle - Upper	67	1264-4985	707117	Belt
13	1159-7143	732230	Handle - Lower	68	1159-6822	763383	Clevis - U-Joint
14	1264-3938	630046	Switch - Motor Control	69	1159-6830	772434	Bracket - Chute Adjustment
15	1264-4027	672238	Key - Switch	70	1156-6848	772566	Detent - Chute Adjustment
16	1264-4118	672402	Hole Plug	71	1095-7546	152579	Nut - 5/16 Push
17	1264-4688	677377	Decal - Starting Instruction	72	1159-6855	459339	Eyebolt
18	1291-6060	489955	Pin - Roll 5/32 x 5/8	73	1093-0675	715185	Washer - 5/16 Flat
19	1264-4886	111732	Insulator Handle	74	1086-6044	489088	Pin - Roll 5/32 x 3/8
20	1230-5850	672303	Panel - Back	75	1159-6863	489260	Pin - Roll 5/32 x 3/8
21	1159-7200	414847	Cover - Motor	76	1159-6871	744292	Knob - 5/16
22	1230-5868	414714	Cover Assembly - Belt	77	1159-6889	751172	Connector - U-Joint
23	1291-6227	154443	Key - 1"	78	1159-6897	775676	Spring - Detent
24	1093-1335	459891	Bolt - Shoulder 3/8-16 x 1	79	1159-6905	783944	Crank - Chute Deflector
25	1264-4910	153593	Bolt - 5/16 - 18x1/2	80	1159-6913	418053	Shaft - Sprocket
26	1093-1087	450429	Bolt - 5/16-18 x 3/8	81	1159-6921	434944	Sprocket - Drive
27	1086-5889	151936	Bolt - 5/16 x 2 1/4 Curved	82	1291-6169	707844	Bolt - 1/2-20 x 1 1/2 Carriage
28	1159-7291	459776	Set Screw 5/16	83	1230-6015	715532	Retainer - Bearing
29	1066-3557	715490	Nut - Eslock 5/16-18	84	1080-9234	461715	Washer - 1/4 Star
30	1230-5876	662197	Washer - Backup	85	1159-6947	463968	Deflector - Chute
31	1230-5884	151795	Wing Nut - 5/16-18	86	1159-6954	744326	Knob - 1/2-20 Female
32	1159-7267	452375	Nut - Tinnerman	87	1159-6962	764217	Pop Rivet - 1/4
33	1159-7283	452318	Nut - 10-24 Hex Nylok	88	1291-6177	154534	Pop Rivet - 3/16
34	1003-3876	459685	No. 10 x 3/8 Special Screw	89	1159-6988	764241	Eyelet
35	1270-0852	712497	Chute Assembly	90	1159-6996	416909	Gear - Chute
36	1072-5216	462309	Washer - 3/8	91	1159-7002	419580	Ring - Chute
37	1159-7325	459347	Screw - 10-9x3/8 Hex Wash. Hd.	92	1270-0944	672410	Chute
38	1159-7333	459354	Screw - 10-9 x 3/8 Flat Head	93	1159-7028	435370	Bar-Scraper (early 1986 prod.)
39	1159-7341	459446	Screw - 10-24 x 1 1/2 Hex	93A	1291-6094	672550	Bar-Scraper (later 1986 prod.)
40	1230-5892	525337	Screw - 10-24 x 1/2 Hex	94	1268-2860	677948	Decal - OPEI B71.3-1984
41	1291-6193	447771	Strain Relief	95	1264-4993	677971	Decal - UL Snow Thrower
42	1159-6665	459404	Screw - Scraper Bar	96	1230-6056	468652	Spacer - 3/8-.385 x .187
43	1093-0030	460584	Washer - 1/4	97	1066-2963	458539	Screw - No. 10-24 x 3/8 Thr. For.
44	1086-9139	461731	Washer - 3/8 Flat	98	1230-6064	468660	Spacer - 1/2 x .065 x 3/8
45	1114-9002	462424	Washer - No. 10 Flat SAE	99	1093-0865	110379	Cable Tie
46	1159-6673	461004	Washer - 1/4 Curved	100	1230-6148	672345	Hub Cap
47	1072-7089	150201	Washer - 5/16 Curved	101	1264-5008	677682	Decal-Auger Housing-Danger
48	1086-5897	461665	Washer - 5/16 Shakeproof	102	1066-3516	715052	Bolt - 1/2-20x1/2 Hex Head
49	1159-6681	463984	Baffle - Auger Housing	103	1270-0860	663674	Guard - Chute
50	1264-4936	253734	Washer - Backup	104	1270-0910	715102	Ring - Retainer, 3/16 Push-on
51	1230-5900	468645	Spacer - 1 x .505 x .187	105	1270-0936	029942	Bracket - Motor Mounting
52	1093-1574	715029	Cotter Pin	106	1270-0951	111807	Cover - Motor Plug
53	1102-9022	462051	Washer - .129 ID	107	1291-6235	664144	Bracket
54	1268-2829	677690	Decal-Disch. Chute Danger	108	1291-6037	152553	Washer - Hardened 1/2"
55	1230-5918	447995	Tab - Motor Cover	109	1291-6045	154211	Washer - Spring 1/2
						687756	Owner's Handbook