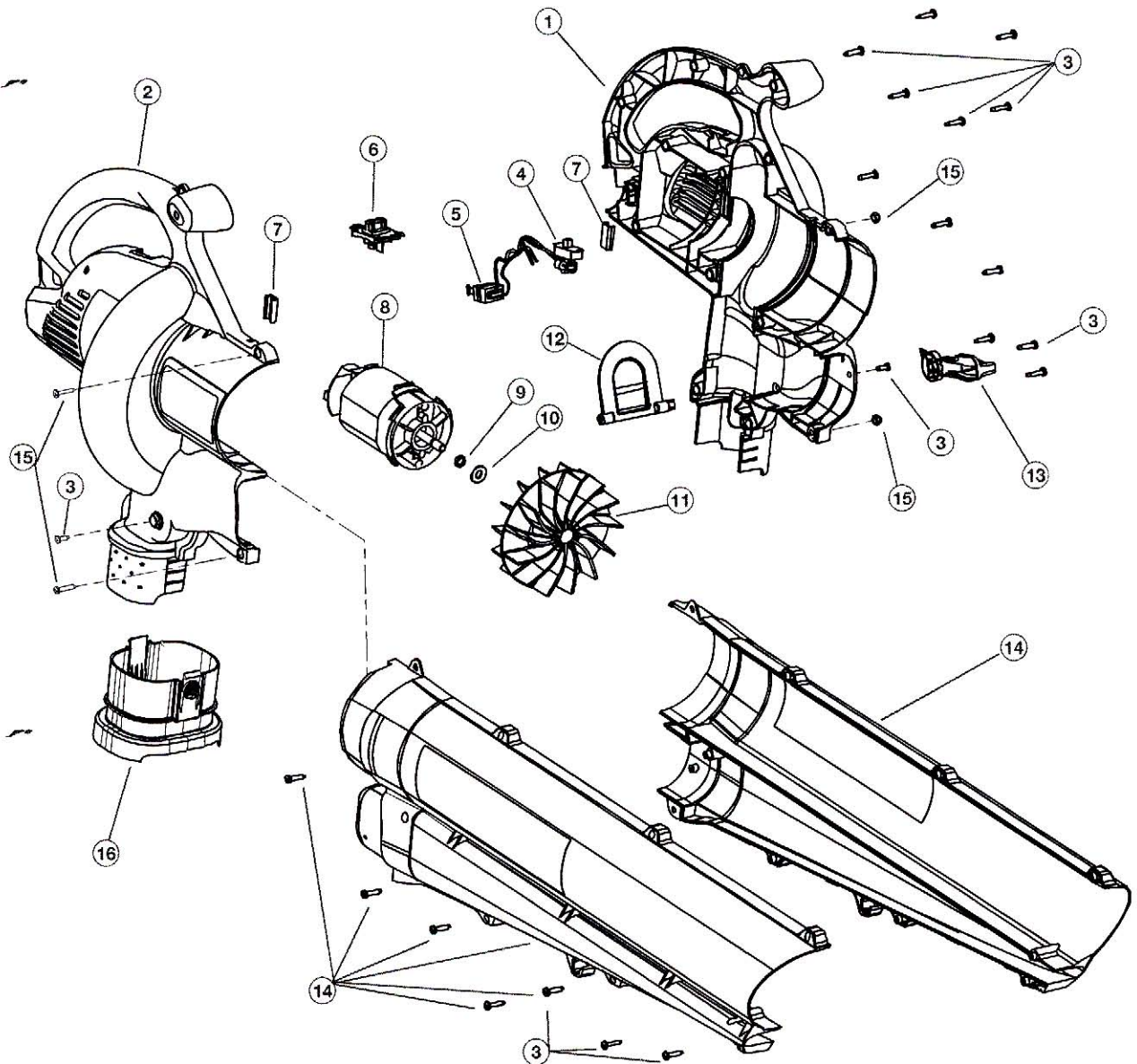


# REPLACEMENT PARTS - MODEL TB125QS

## 120 VOLT ELECTRIC BLOWER/VAC

PPN 4IABESPG766



Item	Part No.	Description	Item	Part No.	Description
1	753-04752	Left Motor Housing	12	791-182410	Mode Control Flapper
2	753-04751	Right Motor Housing	13	791-00050	Mode Control Lever (includes 3)
3	791-181482	Housing Screw	14	753-04102	Blower/Vac Tube Assembly (includes 3)
4	791-182546	Switch Assembly	15	791-182425	Blower/Vac Tube Mounting Hardware
5	791-182547	Power Connection Wire Assembly	16	791-182417	Vacuum Bag Adapter
6	791-180509	Switch Lever	*	791-612930	Cable Tie
7	791-180503	Rubber Cushion	*	791-182416	Vacuum Bag Assembly (includes 16, Vacuum Bag & Cable Tie)
8	791-182548	Motor Assembly	*	791-682075B	Shoulder Harness
9	791-182549	Spacer	*	791-182036	Carbon Brush Set
10	791-180505	Washer	*	753-04325	Patio Head
11	791-182550	Impeller			

\* Items Not Shown

# Product Features

## TB125QS

### MOTOR

12 Amp Electric Motor

Shoulder Strap Included

Double Insulated Motor Assembly

2-Year Limited Warranty

### BLOWER CAPABILITIES

Produces up to 157 MPH Airflow Velocity

Produces up to 424 CFM Airflow Volume

### QuickShift™

Switch from blower to vacuum with just the flip of a lever! No loose parts to store or misplace.

### Vacuum

Automatically mulches debris at a 10:1 reduction ratio, reducing yard waste

### OTHER FEATURES

¾ Bushel Bag Capacity with Zipper

For easy use; empty without removing bag from the unit



12 Amp QuickShift Blower  
Model: TBD  
UPC: TBD

**TROY-BILT**