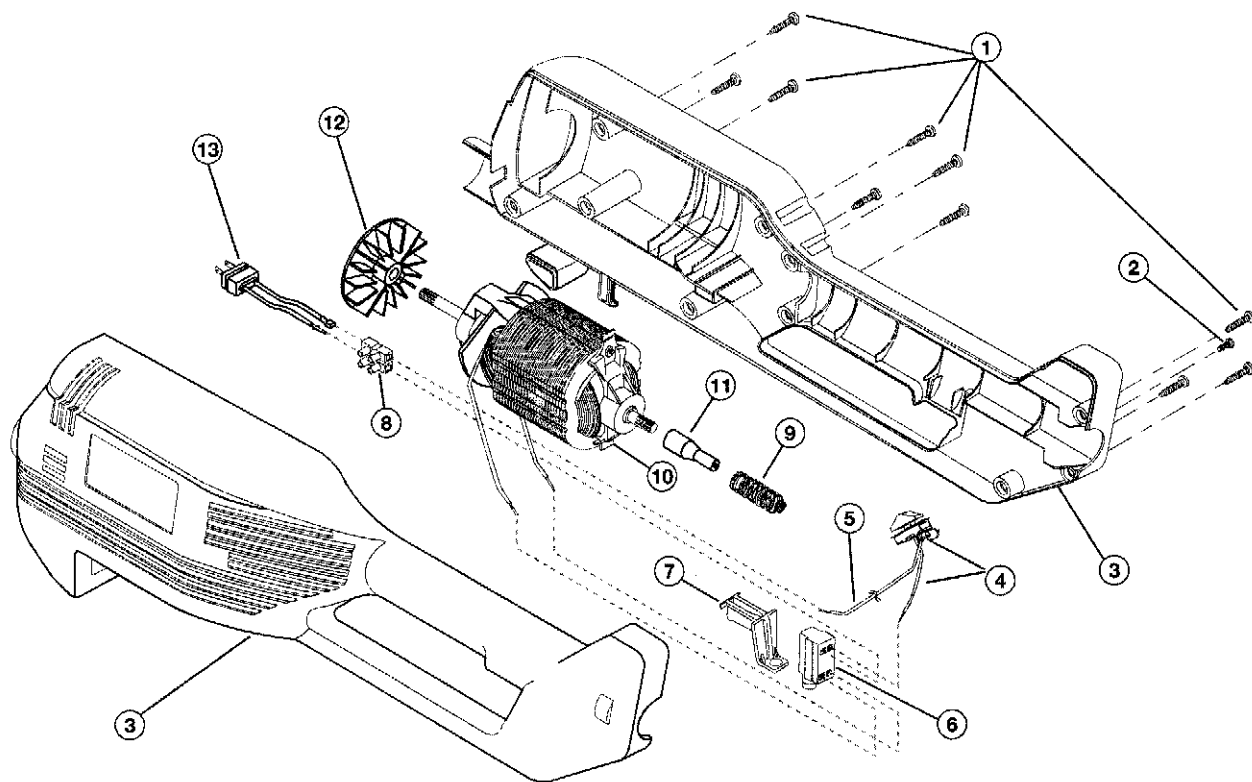


---

# MOTOR AND HOUSING PARTS—MODEL TB32CS

## 120 VOLT ELECTRIC TRIMMER

PPN 41AC132C063

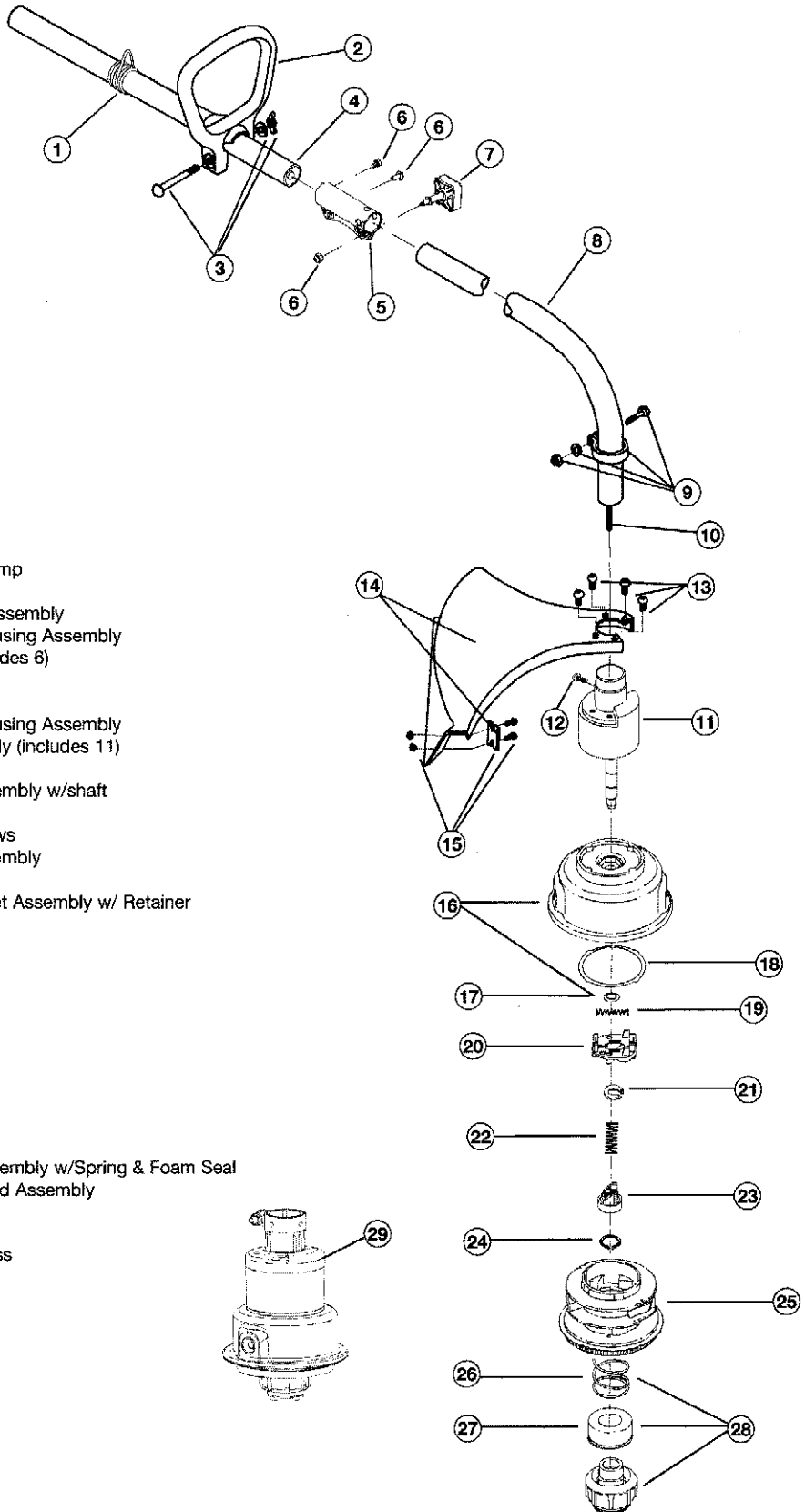


<u>Item</u>	<u>Part No.</u>	<u>Description</u>
1	791-180300	Screw, Housing Set
2	791-145569	Anti-Rotation Screw
3	753-04273	Motor Housing Assembly
4	753-04274	Two-Speed Switch Assembly
5	791-180559	Lead Wires
6	791-180150	Switch
7	753-04275	Trigger
8	791-180305	Terminal Block
9	791-612468	Spring
10	791-180154	Motor Assembly (includes 9, 11 & 12)
11	791-180152	Driver
12	791-180155	Cooling Fan
13	791-181645	Power Cord Assembly

# BOOM AND TRIMMER PARTS - MODEL TB32CS

## 120 VOLT ELECTRIC TRIMMER

PPN 41AC132C063



Item	Part No.	Description
1	791-610327	Shoulder Harness Clamp
2	791-153064	D-Handle (includes 3)
3	791-181587	D-Handle Hardware Assembly
4	791-181929	Upper Drive Shaft Housing Assembly
5	791-182928	EZ-Link Coupler (includes 6)
6	791-182057	EZ-Link Hardware
7	791-181951	Adjustment Knob
8	791-180340	Lower Drive Shaft Housing Assembly
9	791-153597	Lower Clamp Assembly (includes 11)
10	791-181852	Flexible Drive Shaft
11	791-181857	Bushing Housing Assembly w/shaft
12	791-145569	Anti-Rotation Screw
13	791-180531	Guard Mounting Screws
14	791-683274	Guard and Blade Assembly
15	791-682061	Blade Assembly
16	791-181457	Outer Spool and Eyelet Assembly w/ Retainer
17	791-181458	Retainer
18	791-181561	Thrust Washer
19	791-181459	Small Spring
20	791-04257	Slider
21	791-181532	E-Clip
22	791-181531	Spring
23	791-181462	Plunger
24	791-181463	C-Clip
25	791-181464	Inner Reel
26	791-181465	Large Spring
27	791-181467	Foam Seal
28	791-181468	Bump Head Knob Assembly w/Spring & Foam Seal
29	791-181469	Complete Cutting Head Assembly

### Optional Accessories

- \* 791-682075 Shoulder Strap Harness
- \* 791-181460 Reel w/.080 Line
- \* not shown

