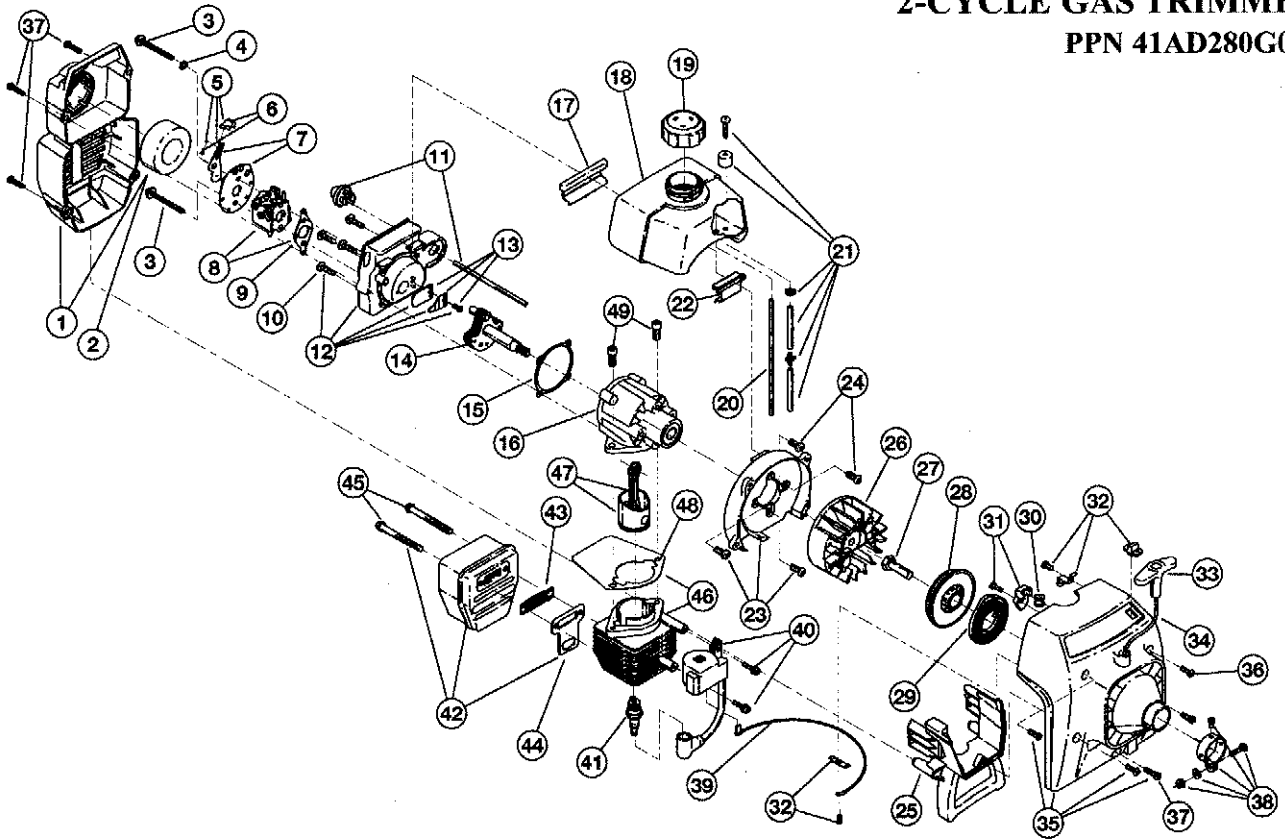


# ENGINE PARTS - MODEL 2800m

## 2-CYCLE GAS TRIMMER

### PPN 41AD280G000

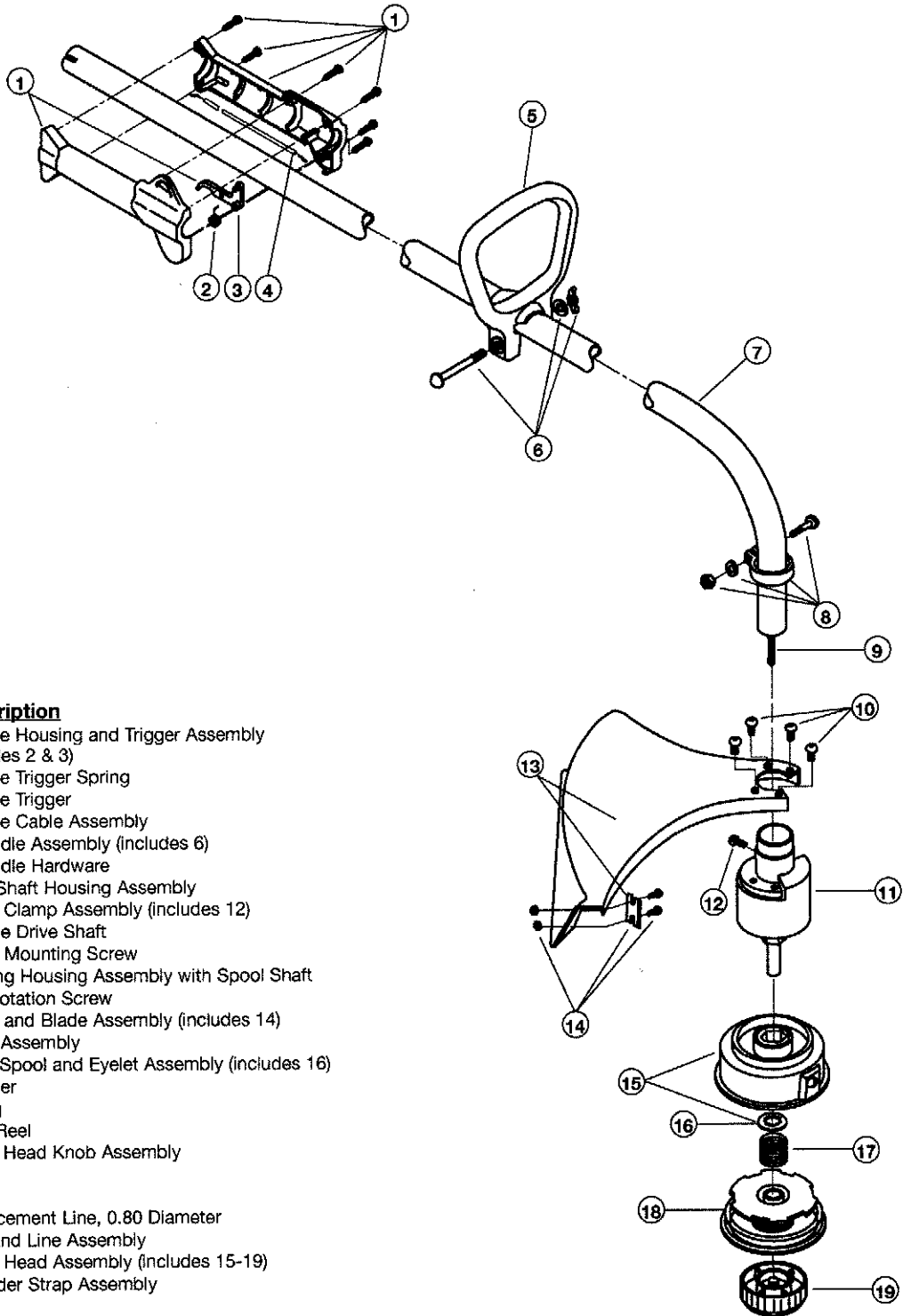


Item	Part No.	Description	Item	Part No.	Description
1	791-182059	Air Cleaner/Muffler Cover Assembly (includes 2 & 37)	31	791-181889	Pulley Retainer Assembly
2	791-180350B	Air Cleaner Filter	32	791-182827	Switch Assembly (includes 39)
3	791-180351	Carburetor Mounting Screw Assembly	33	791-181079	Pull Handle
4	791-180226	Wavey Washer	34	791-613103	Rope
5	791-182160	Choke Lever Assembly (includes 6)	35	791-182828	Starter Housing Assembly (includes 28-34 & 39)
6	791-182161	Choke Knob and Screw	36	791-181862	Housing Screw
7	791-182162	Choke Lever and Plate (includes 5)	37	791-181345	Cover Screw
8	791-182875	Carburetor Assembly (includes 9)	38	791-153597	Upper Clamp Assembly
9	791-610675	Carburetor Gasket	39	791-180036	Wire Lead
10	791-181860	Carb Mount Screw	40	753-04125	Module Assembly
11	791-683974B	Primer and Hose Assembly	41	791-610311B	Spark Plug
12	791-182063	Carb Mount Assembly (includes 10 & 15)	42	791-182066	Muffler Assembly (includes 43-45)
13	791-684451	Reed Assembly	43	791-182747	Spark Arrestor
14	791-181866	Power Shaft Assembly	44	791-182065	Exhaust Gasket
15	791-612115	Crank Case Gasket	45	791-147575	Muffler Mounting Bolt Assembly
16	791-181865	Crank Case Service Assembly (includes 10, 14 & 24)	46	753-1206	Cylinder Assembly (includes 48 & 49)
17	791-612134	Rear Mounting Pad	47	753-1207	Piston and Rod Assembly
18	791-181152	Fuel Tank Assembly (includes 19-21)	48	791-610674	Cylinder Gasket
19	791-182612	Fuel Cap Assembly	49	791-182723	Cylinder Bolt
20	791-181168	Fuel Return Line	*	791-182067	Engine Gasket Kit
21	791-683398	Fuel Line Assembly	*	791-180090	O.E.M. Carburetor Repair Kit
22	791-145308	Front Mounting Pad	*	791-180091	Gasket Diaphragm Repair Kit
23	791-153520	Shroud Assembly (includes 24)	*	753-1209	Piston Ring
24	791-181861	Shroud Screw	*	753-04173	Short Block Assembly (includes 10, 14, 16, 24, 41, 46-49)
25	791-182064	Shroud Extension and Stand (includes 37)	*	791-181501	Starter Housing Screw Set
26	791-181867	Flywheel Assembly	*	Not Shown	
27	791-610303	Square Nut Drive			
28	753-04232	Recoil Pulley Assembly			
29	791-613102	Recoil Spring			
30	791-611061	Rope Guide			

# BOOM AND TRIMMER PARTS - MODEL 2800m

## 2-CYCLE GAS TRIMMER

PPN 41AD280G000



Item	Part No.	Description
1	791-182093	Throttle Housing and Trigger Assembly (includes 2 & 3)
2	791-610314	Throttle Trigger Spring
3	791-180975	Throttle Trigger
4	791-182068	Throttle Cable Assembly
5	791-153064	D-Handle Assembly (includes 6)
6	791-153317	D-Handle Hardware
7	791-181893	Drive Shaft Housing Assembly
8	791-153597	Lower Clamp Assembly (includes 12)
9	753-04280	Flexible Drive Shaft
10	791-180531	Shield Mounting Screw
11	791-181784	Bushing Housing Assembly with Spool Shaft
12	791-145569	Anti-Rotation Screw
13	791-683274	Shield and Blade Assembly (includes 14)
14	791-180553	Blade Assembly
15	791-153619	Outer Spool and Eyelet Assembly (includes 16)
16	791-610660	Retainer
17	791-610317B	Spring
18	791-610318	Inner Reel
19	791-153066B	Bump Head Knob Assembly

### Optional Accessories

- \* 791-610375 Replacement Line, 0.80 Diameter
- \* 791-153577B Reel and Line Assembly
- \* 791-180897B Bump Head Assembly (includes 15-19)
- \* 791-682075B Shoulder Strap Assembly
  
- \* not shown