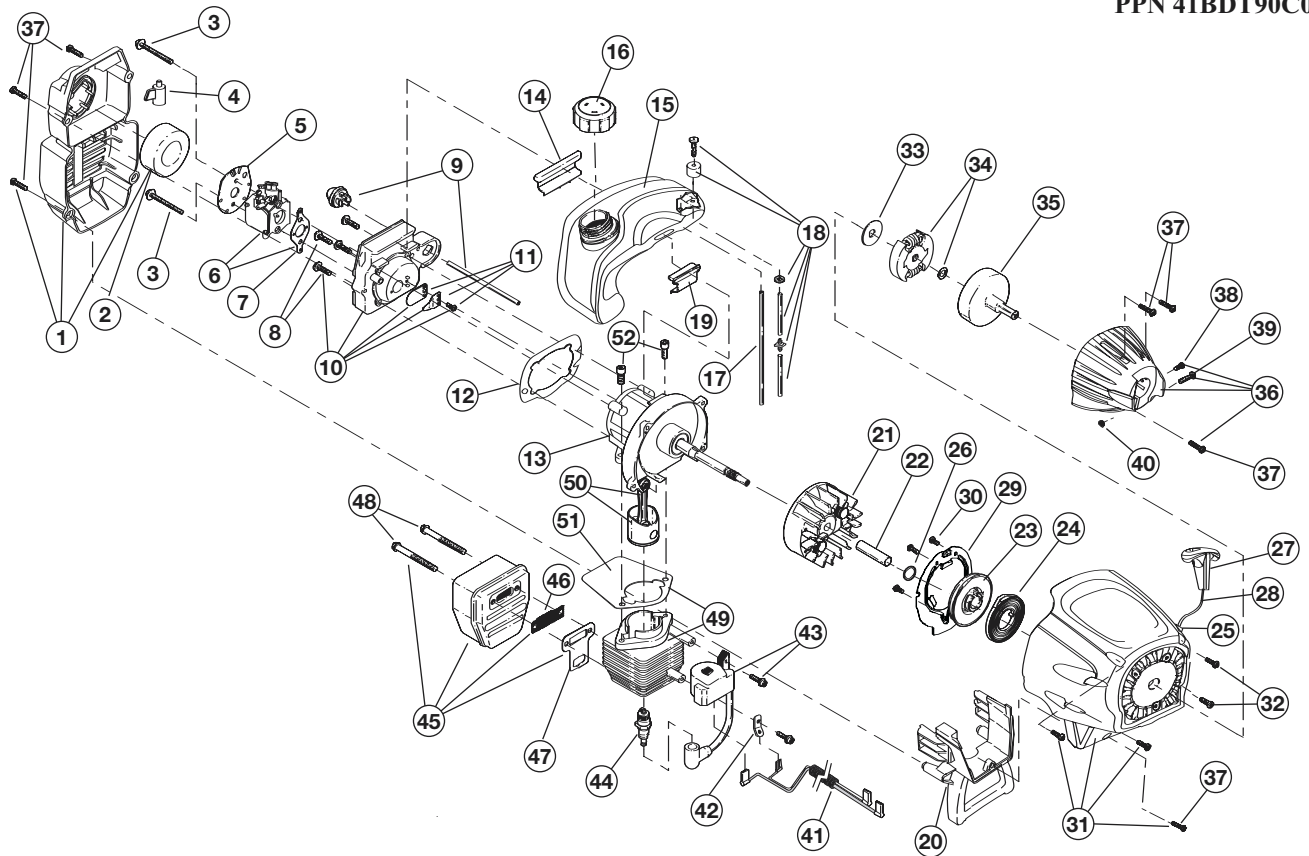


# ENGINE PARTS - MODEL TB90BC 2-CYCLE GAS TRIMMER/BUSHCUTTER

PPN 41BDT90C063

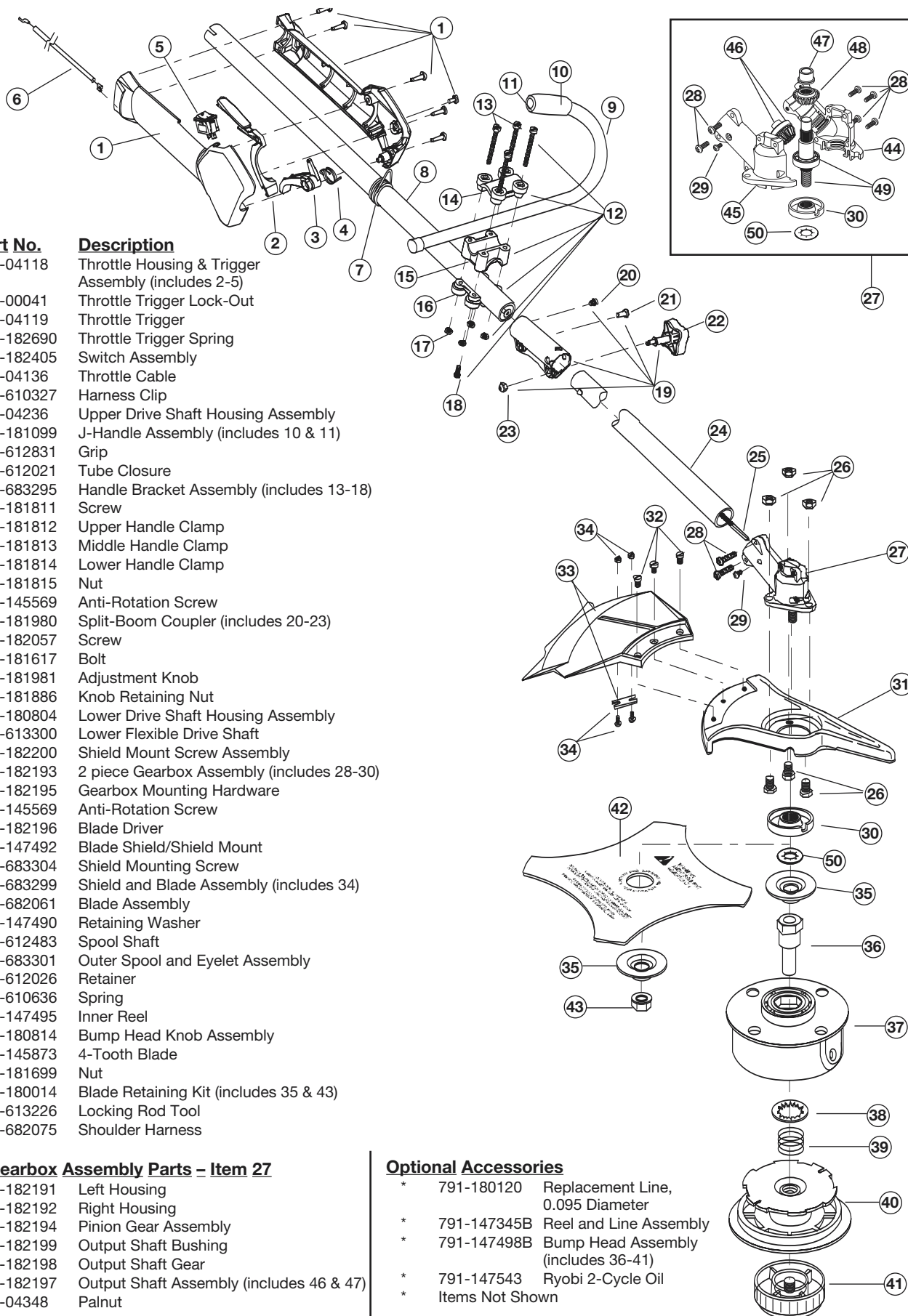


| <u>Item</u> | <u>Part No.</u> | <u>Description</u>                                   | <u>Item</u> | <u>Part No.</u> | <u>Description</u>                                   |
|-------------|-----------------|--|-------------|-----------------|--|
| 1           | 753-1192        | Air Cleaner/Muffler Cover Assembly (includes 2 & 37) | 31          | 753-1203        | Starter Housing Assembly (includes 23-30, 32 & 37)   |
| 2           | 791-180350B     | Air Cleaner Filter                                   | 32          | 791-181862      | Housing Screw  |
| 3           | 791-180351      | Carburetor Mounting Screw Assembly                   | 33          | 791-182368      | Clutch Washer  |
| 4           | 753-1193        | Choke Extension                                      | 34          | 791-182369      | Clutch Rotor Assembly                                |
| 5           | 753-1194        | Choke Plate  | 35          | 791-153592      | Clutch Drum Assembly                                 |
| 6           | 753-04338       | Carburetor Assembly (includes 7 & 18)                | 36          | 753-1204        | Clutch Cover Assembly (includes 37-40)               |
| 7           | 791-610675      | Carburetor Gasket                                    | 37          | 791-181345      | Cover Screw  |
| 8           | 791-181860      | Carb Mount Screw                                     | 38          | 791-182519      | Anti-Rotation Screw                                  |
| 9           | 791-683974B     | Primer and Hose Assembly                             | 39          | 753-04003       | Clamping Screw                                       |
| 10          | 753-1196        | Carb Mount Assembly (includes 8 & 11)                | 40          | 791-180217      | Clamping Nut   |
| 11          | 791-684451      | Reed Assembly  | 41          | 791-182798      | Wire Leads and Sleeve                                |
| 12          | 753-1208        | Carburetor Mount Gasket                              | 42          | 791-611063      | Ground Tab   |
| 13          | 753-04369       | Crank Case Service Assembly (includes 8)             | 43          | 753-04337       | Module Assembly                                      |
| 14          | 791-612134      | Rear Mounting Pad                                    | 44          | 791-610311B     | Spark Plug   |
| 15          | 753-04307       | Fuel Tank Assembly (includes 16-18)                  | 45          | 791-182066      | Muffler Assembly (includes 46-48)                    |
| 16          | 791-182612      | Fuel Cap Assembly                                    | 46          | 791-182747      | Spark Arrestor Screen                                |
| 17          | 791-181168      | Fuel Return Line                                     | 47          | 753-04159       | Exhaust Gasket                                       |
| 18          | 753-04233       | Fuel Line Assembly                                   | 48          | 791-147575      | Muffler Mounting Bolt Assembly                       |
| 19          | 791-145308      | Front Mounting Pad                                   | 49          | 753-04323       | Cylinder Assembly (includes 51 & 52)                 |
| 20          | 791-182064      | Shroud Extension & Stand (includes 37)               | 50          | 753-1207        | Piston and Rod Assembly                              |
| 21          | 791-182736      | Flywheel Assembly                                    | 51          | 753-1197        | Cylinder Gasket                                      |
| 22          | 791-181065      | Spacer   | 52          | 791-182723      | Cylinder Bolt  |
| 23          | 753-1199        | Recoil Pulley  | *           | 791-180090      | O.E.M. Carburetor Repair Kit                         |
| 24          | 753-04286       | Recoil Spring  | *           | 791-180091      | Gasket Diaphragm Repair Kit                          |
| 25          | 753-1200        | Rope Guide   | *           | 753-1209        | Piston Ring Set                                      |
| 26          | 791-181247      | Pulley Retainer                                      | *           | 753-04334       | Short Block Assembly (includes 8, 12, 13, 44, 47-52) |
| 27          | 791-181079      | Pull Handle  | *           | 791-181599      | Clutch Springs (Qty. 2)                              |
| 28          | 791-613103      | Rope   | *           |                 | Items Not Shown                                      |
| 29          | 753-1201        | Pressure Plate Assembly (includes 30)                |             |                 |  |
| 30          | 753-1202        | Plate Screw  |             |                 |  |

# BOOM AND TRIMMER PARTS - MODEL TB90BC

## 2-CYCLE GAS TRIMMER/BUSHCUTTER

PPN 41BDT90C063



| Item | Part No.   | Description  |
|------|------------|--|
| 1    | 753-04118  | Throttle Housing & Trigger Assembly (includes 2-5) |
| 2    | 791-00041  | Throttle Trigger Lock-Out                          |
| 3    | 753-04119  | Throttle Trigger                                   |
| 4    | 791-182690 | Throttle Trigger Spring                            |
| 5    | 791-182405 | Switch Assembly                                    |
| 6    | 753-04136  | Throttle Cable                                     |
| 7    | 791-610327 | Harness Clip                                       |
| 8    | 753-04236  | Upper Drive Shaft Housing Assembly                 |
| 9    | 791-181099 | J-Handle Assembly (includes 10 & 11)               |
| 10   | 791-612831 | Grip   |
| 11   | 791-612021 | Tube Closure                                       |
| 12   | 791-683295 | Handle Bracket Assembly (includes 13-18)           |
| 13   | 791-181811 | Screw  |
| 14   | 791-181812 | Upper Handle Clamp                                 |
| 15   | 791-181813 | Middle Handle Clamp                                |
| 16   | 791-181814 | Lower Handle Clamp                                 |
| 17   | 791-181815 | Nut  |
| 18   | 791-145569 | Anti-Rotation Screw                                |
| 19   | 791-181980 | Split-Boom Coupler (includes 20-23)                |
| 20   | 791-182057 | Screw  |
| 21   | 791-181617 | Bolt   |
| 22   | 791-181981 | Adjustment Knob                                    |
| 23   | 791-181886 | Knob Retaining Nut                                 |
| 24   | 791-180804 | Lower Drive Shaft Housing Assembly                 |
| 25   | 791-613300 | Lower Flexible Drive Shaft                         |
| 26   | 791-182200 | Shield Mount Screw Assembly                        |
| 27   | 791-182193 | 2 piece Gearbox Assembly (includes 28-30)          |
| 28   | 791-182195 | Gearbox Mounting Hardware                          |
| 29   | 791-145569 | Anti-Rotation Screw                                |
| 30   | 791-182196 | Blade Driver                                       |
| 31   | 791-147492 | Blade Shield/Shield Mount                          |
| 32   | 791-683304 | Shield Mounting Screw                              |
| 33   | 791-683299 | Shield and Blade Assembly (includes 34)            |
| 34   | 791-682061 | Blade Assembly                                     |
| 35   | 791-147490 | Retaining Washer                                   |
| 36   | 791-612483 | Spool Shaft  |
| 37   | 791-683301 | Outer Spool and Eyelet Assembly                    |
| 38   | 791-612026 | Retainer   |
| 39   | 791-610636 | Spring   |
| 40   | 791-147495 | Inner Reel   |
| 41   | 791-180814 | Bump Head Knob Assembly                            |
| 42   | 791-145873 | 4-Tooth Blade                                      |
| 43   | 791-181699 | Nut  |
| *    | 791-180014 | Blade Retaining Kit (includes 35 & 43)             |
| *    | 791-613226 | Locking Rod Tool                                   |
| *    | 791-682075 | Shoulder Harness                                   |

### 2 Piece Gearbox Assembly Parts - Item 27

|    |            |  |
|----|------------|--|
| 44 | 791-182191 | Left Housing                             |
| 45 | 791-182192 | Right Housing                            |
| 46 | 791-182194 | Pinion Gear Assembly                     |
| 47 | 791-182199 | Output Shaft Bushing                     |
| 48 | 791-182198 | Output Shaft Gear                        |
| 49 | 791-182197 | Output Shaft Assembly (includes 46 & 47) |
| 50 | 753-04348  | Palnut                                   |

### Optional Accessories

|   |             |                                     |
|---|-------------|-------------------------------------|
| * | 791-180120  | Replacement Line, 0.095 Diameter    |
| * | 791-147345B | Reel and Line Assembly              |
| * | 791-147498B | Bump Head Assembly (includes 36-41) |
| * | 791-147543  | Ryobi 2-Cycle Oil                   |
| * |             | Items Not Shown                     |