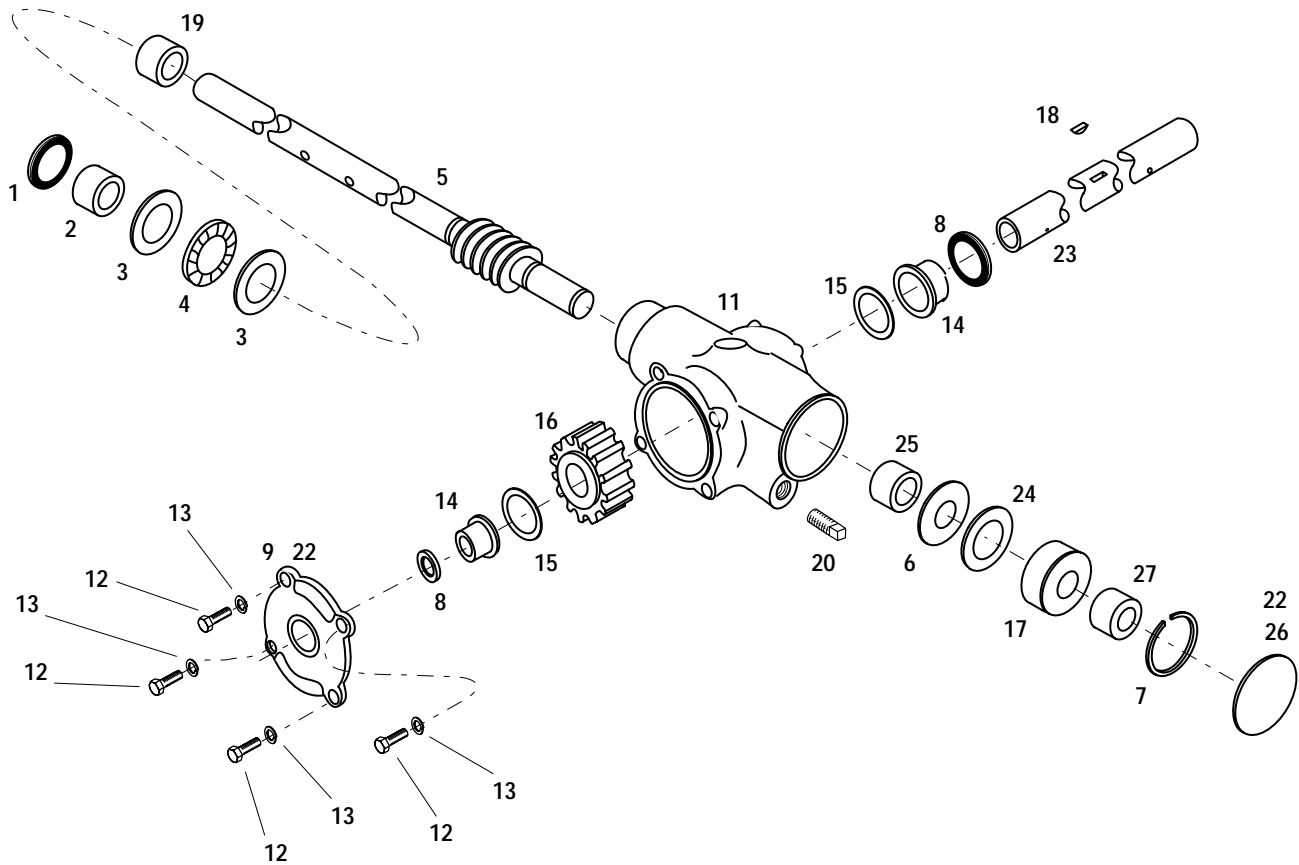


DRAWING NO. 1

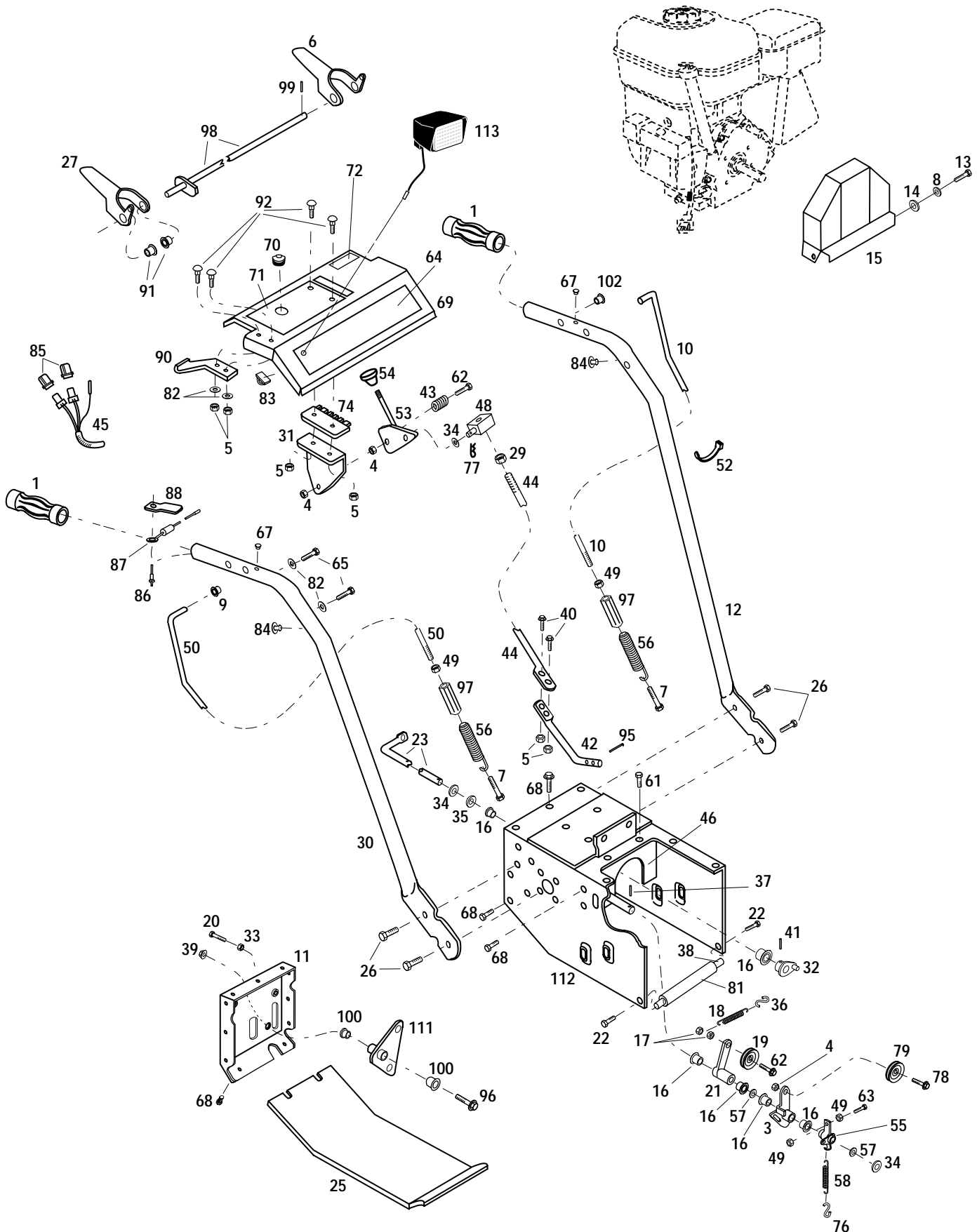


Ref. #	Part #	Description	Qty.	Ref. #	Part #	Description	Qty.
1	1185224	Oil Seal.....	1	16	1720933	Worm Gear, 20T.....	1
2	1185374	Needle Bearing.....	1	17	1720763	Spacer.....	1
3	1185841	Thrust Race.....	2	18	1100276	Woodruff Key, 1/4 x 7/8.....	1
4	1185431	Roller Thrust Bearing.....	1	19	1741774	Spacer.....	1
5	1739790	Impeller Shaft.....	1	20	1105620	Square Head Plug, 1/4-18 NPT.....	1
6	1185842	Washer.....	1	22	†	Sealant.....	N/I
7	1118726	Internal Retaining Ring.....	1	23	1720894	Auger Shaft (A).....	1
8	1773207	Oil Seal.....	2		1916963	Auger Shaft (B).....	1
9	1773170001	Flanged Cover.....	1	24	1185840	Thrust Race.....	1
11	1735894001	Gear Case.....	1	25	1741775	Spacer.....	1
12	1741832	Hex Hd. Cap Screw, 1/4-20 x 5/8.....	4	26	1112634	Welch Plug.....	1
13	1100241	Lock Washer, 1/4.....	4	27	1185568	Needle Bearing.....	1
14	1185728	Flange Bearing.....	2	101	1700182	Gear Lube, EP 90, 8 oz.	N/I
15	1185815	Thrust Race.....	2				

(A) For Model 42051
 (B) For Model 42052

N/I Item not included with unit. Order separately.
 † Use General Electric SILMATE #RTV 1473 or equivalent. Obtain locally.

DRAWING NO. 2



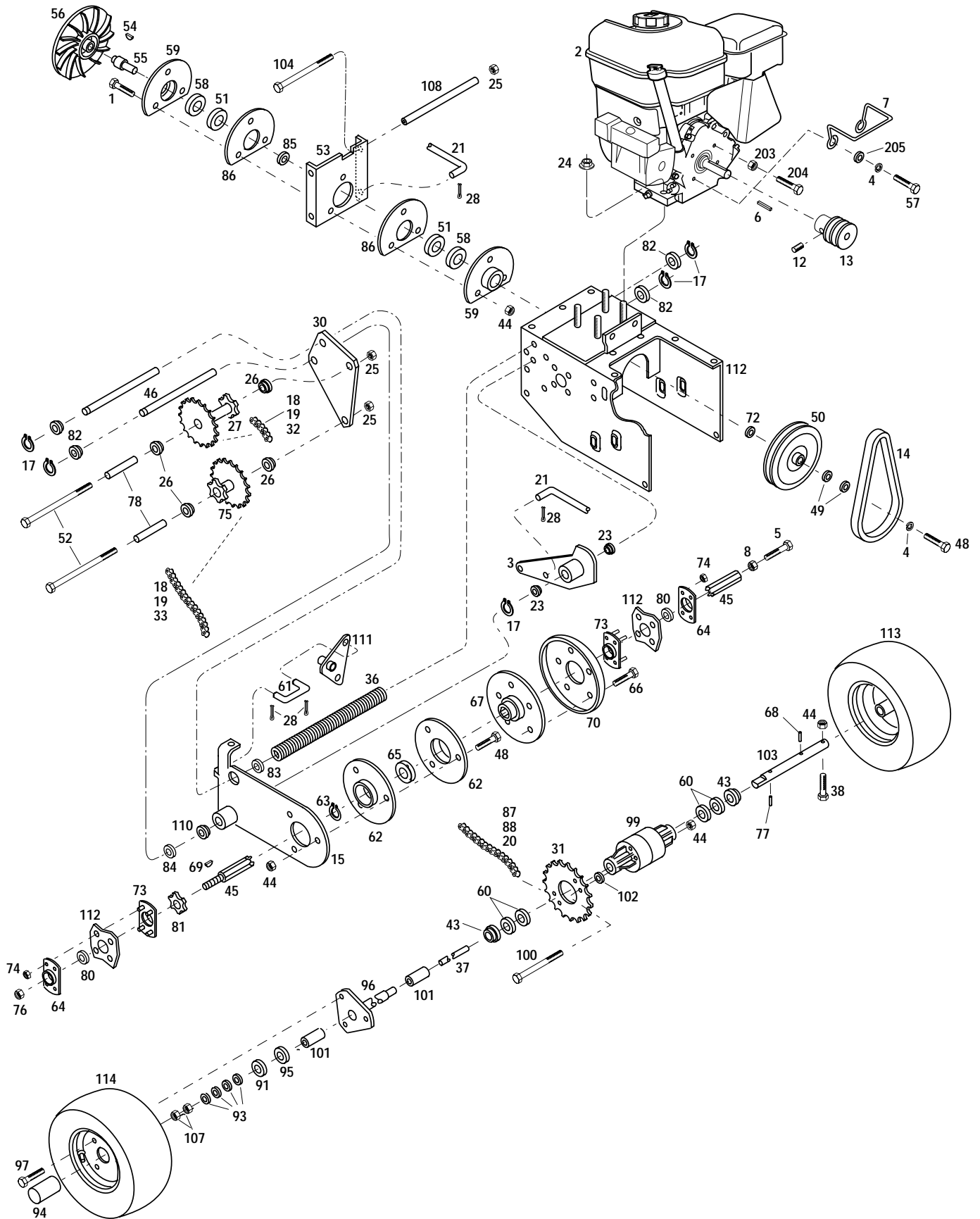
Ref. #	Part #	Description	Qty.	Ref. #	Part #	Description	Qty.
1	1745576	Handle Grip.....	2	52	1735531	Plastic tie.....	5
3	1739937	Idler Arm.....	1	53	1760255	Shift Control Arm.....	1
4	1733398	Lock Nut, 3/8-16.....	3	54	1757842	Knob.....	1
5	1734398	Lock Nut, 1/4-20.....	6	55	1739941	Brake Arm.....	1
6	1764738	Left Control Handle.....	1	56	1765535	Extension Spring.....	2
7	1765534	Fillister-Head Bolt, 5/16-18 x 1.....	2	57	1107385	Flat Washer, 1/2".....	2
8	1100242	Lock Washer, 5/16.....	2	58	1740990	Extension Spring.....	1
9	1728072	Push Nut.....	2	61	1186327	Flange Screw, 5/16-18 x 1/2.....	2
10	1764741	Wheel Drive Clutch Rod.....	1	62	1100086	Hex Hd. Cap Screw, 3/8-16 x 1-3/4.....	2
11	1760258010	Back Plate.....	1	63	1772011	Hex Hd. Cap Screw, 1/4-20 x 1.....	1
12	1757831010	Left Handlebar.....	1	64	1918881	Logo Decal.....	1
13	1100044	Hex Hd. Screw, 5/16-18 x 3/4.....	2	65	1754128	Thread-Forming Screw, 1/4-20 x 5/8.....	4
14	1100255	Flat Washer, 5/16.....	2	67	1750796	Wear Button.....	2
15	1740030	Belt Cover.....	1	68	1724491	Thread-Forming Screw, 5/16-18 x 3/4.....	13
16	1715716	Bushing.....	6	69	1918476	Console (Incl. Ref. 71).....	1
17	1185506	Self-Locking Jam Nut, 3/8-16.....	2	70	1185585	Flip Grommet.....	1
18	1740011	Extension Spring.....	1	71	1917457	Instructions Decal.....	1
19	1729440	Idler Pulley.....	1	74	1764711	Shift Quadrant.....	1
20	1186334	Flange Screw, 5/16-18 x 1-3/4.....	1	76	1742250	S-Hook.....	1
21	1739935	Idler Arm.....	1	77	1703011	Cotter Spring.....	1
22	1186329	Flange Screw, 5/16-18 x 3/4.....	2	78	1982612	Hex Hd. Screw, 3/8-16 x 2.....	1
23	1757841	Control Arm.....	1	79	1745499	Idler Pulley (A).....	1
25	1739838010	Bottom Cover.....	1		1916956	Idler Pulley (B).....	1
26	1186345	Flange Screw, 3/8-16 x 3/4.....	4	81	1746607	Plastic Tubing.....	1
27	1764739	Right Control Handle.....	1	82	1107381	Flat Washer, 1/4.....	6
29	1186231	Hex Nut, 3/8-16.....	1	83	1724879	Cord Clip.....	2
30	1757832010	Right Handlebar.....	1	84	1773905	Bushing.....	2
31	1760196	Control Bracket.....	1	85	1748836	Connector Body.....	2
32	1739932	Control Arm.....	1	86	1186424	Pop Rivet, 1/8.....	2
33	1186258	Jam Nut, 5/16-18.....	1	87	1773904	Resistor.....	2
34	1890234	Flat Washer, 1/2.....	3	88	1746516	Clamp.....	2
35	1706782	Bowed Washer.....	1	90	1764733	Flat Spring.....	1
36	1740989	S-Hook.....	1	91	1755779	Flange Bearing.....	2
37	1100356	Cotter Pin, 3/32 x 1.....	1	92	1115931	Round Head Screw, 1/4-20 x 5/8.....	4
38	1739756	Cross Member.....	1	95	1100346	Cotter Pin, 3/32 x 3/4.....	2
39	1186393	Flange Nut, 3/8-16.....	1	96	1763219	Shoulder Bolt.....	1
40	1100805	Hex Hd. Cap Screw, 1/4-20 x 3/4.....	2	97	1764740	Adjusting Nut.....	2
41	1743493	Drive Pin, 1/8 x 3/4.....	1	98	1764737	Control Rod.....	1
42	1760253	Lower Control Rod.....	1	99	1737015	Roll Pin, 1/8 x 5/8.....	1
43	1713167	Compression Spring.....	1	100	1715538	Nyliner Flange Bushing.....	2
44	1760254	Upper Control Rod.....	1	102	1714243	Flange Bearing.....	2
45	1918905	Wiring Harness.....	1	103	1900706	Troy-Bilt Red Spray Paint, 13 oz.....	N/I
46	1754272	Support Assembly.....	1	104	1735222	Troy-Bilt Black Spray Paint, 13 oz.....	N/I
48	1727053	Pivot Block.....	1	111	1760218	Speed Control Arm.....	1
49	1186229	Hex Nut, 1/4-20.....	4	112	---	Frame (see pgs. 28-29).....	1
50	1764743	Auger Control Rod.....	1	113	1918428	Light Kit.....	1

(A) For Model 42051

(B) For Model 42052

N/I Item not included with unit. Order separately.

DRAWING NO. 3

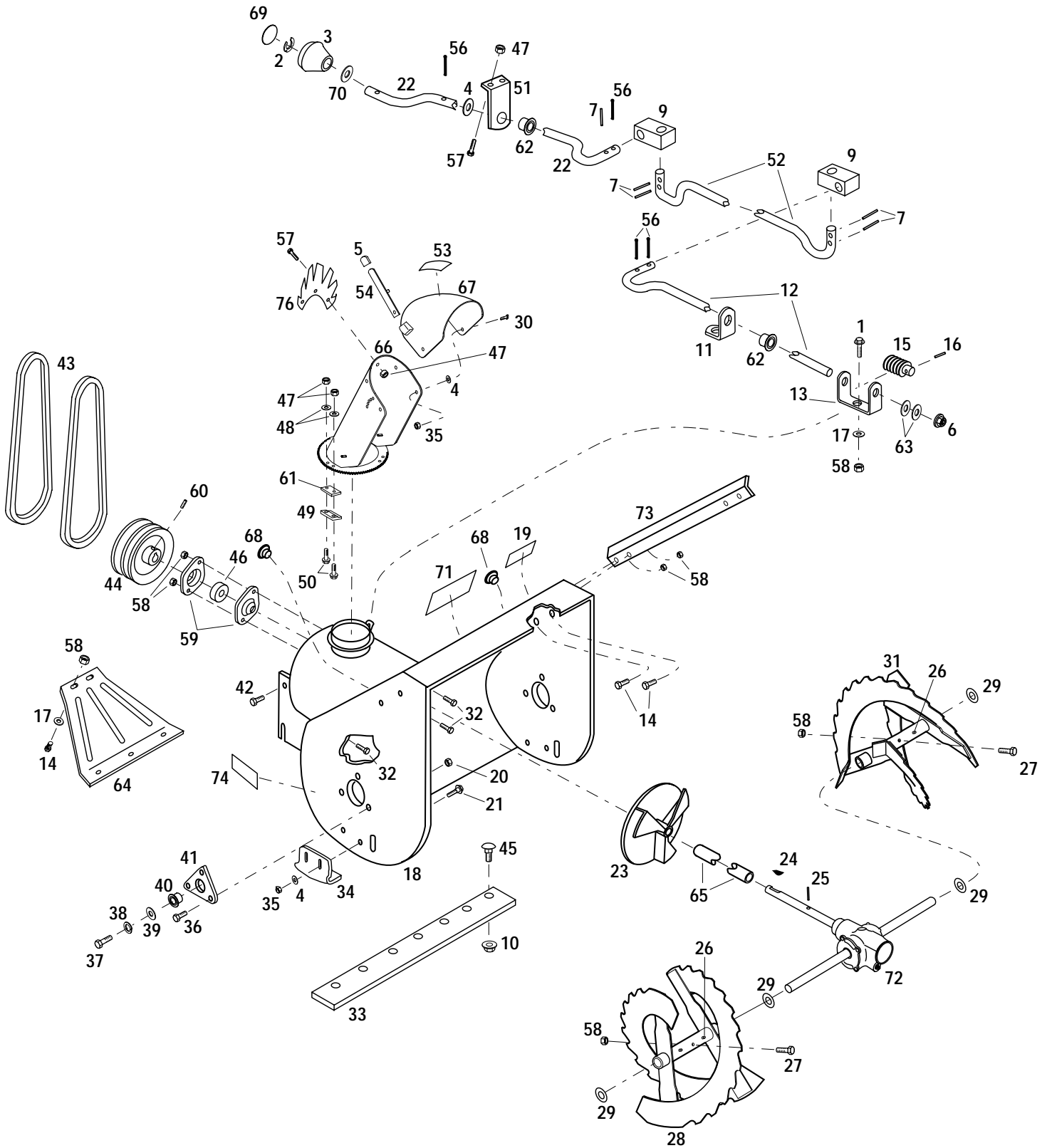


Ref. #	Part #	Description	Qty.	Ref. #	Part #	Description	Qty.
1	1100045	Hex Hd. Screw, 5/16-18 x 1	3	62	1739485	Bearing Retainer	2
2	*	Briggs & Stratton Engine	1	63	1736561	Snap Ring	1
3	1745485	Control Arm	1	64	1720811	Bearing Flange	2
4	1100242	Lock Washer, 5/16	3	65	1741733	Ball Bearing	1
5	1903416	Shoulder Bolt, 3/8-16 x 1-1/2	1	66	1186327	Flange Screw, 5/16-18 x 1/2	5
6	1187474	Square Key, 1/4 x 2-1/4	1	67	1739490	Friction Disc Hub	1
7	1749177	Belt Guide	1	68	1185376	Drive Pin, 3/16 x 1-1/2	1
8	1917742	Bushing	1	69	9361	Woodruff Key	1
12	9677	Set Screw, 5/16-18 x 5/8	2	70	1720859	Molded Friction Disc	1
13	1917406	Engine Sheave	1	72	1709224	Special Washer	1
14	1751601	V-Belt	1	73	1720810	Bearing Flange Assembly	2
15	1760260	Drive Support (Incl. Ref. 110)	1	74	1772333	Lock Nut, #10-24	8
17	1118808	Retaining Ring	5	75	1745497	Sprocket Assembly, 9T/30T	1
18	0182087	Offset Link (Half Link)	2	76	1185496	Jam Nut, 1/2-13	1
19	1185013	Connecting Link, #41	2	77	1758305	Drive Pin	1
20	1739454	Final Drive Chain #40 (Requires Refs. 87 & 88)	1	78	1739476	Spacer	2
21	1745437	Control Link	1	80	1185808	Ball Bearing	2
23	1714299	Flange Bushing	2	81	1745495	Sprocket, 9T	1
24	1186391	Flange Lock Nut, 5/16-18	4	82	1714233	Nylon Bushing	4
25	1186393	Flange Lock Nut, 3/8-16	3	83	1705093	Special Flat Washer	1
26	1739458	Flange Bearing	4	84	1107386	Flat Washer, 5/8	1
27	1745498	Sprocket Assembly, 9T/17T	1	85	1745489	Spacer	1
28	1100346	Cotter Pin, 3/32 x 3/4	6	86	1745490	Bearing Retainer	2
30	1739497	Support Plate	1	87	1185026	Connecting Link	1
31	---	Sprocket, 30T (see Ref. 99)	1	88	1120213	Offset Link (Half Link)	1
32	1745880	Drive Chain (Requires Refs. 18 and 19)	1	91	1756230	D-Hole Drive Washer	1
33	1745879	Drive Chain (Requires Refs. 18 and 19)	1	93	1746743	Disc Spring	4
36	1741647	Compression Spring	1	94	1756231	Dust Cap	1
37	1746744	Axle Shaft	1	95	1746739	Friction Disc	1
38	1755894	Hex Hd. Screw, 5/16-18 x 1-3/4	1	96	1758300	Flange & Axle Tube Assembly	1
43	1739471	Flange Bushing, 7/8	2	97	1716223	Lug Bolt	3
44	1732499	Lock Nut, 5/16-18	11	99	1758898	Differential Assembly (Incl. one Ref. 31 and four ea. Refs. 44, 100, 102)	1
45	1916885	Hex Shaft	1	100	---	Hex Hd. Bolt, 5/16-18 x 4-1/2 (see Ref. 99)	4
46	1745860	Shaft Support	2	101	1745883	Nylon Bushing	2
48	1100044	Hex Cap Screw, 5/16-18 x 3/4	4	102	---	Spacer (see Ref. 99)	4
49	9929	Special Flat Washer	2	103	1758302	Axle Shaft	1
50	1745488	Wheel Drive Sheave	1	104	1754303	Hex Head Screw, 3/8-16 x 8-1/2	1
51	1743433	Ball Bearing	2	107	1186233	Jam Nut, 1/2-13	2
52	1110644	Cap Screw, 3/8-16 x 3-1/2	2	108	1754301	Tubular Spacer	1
53	1754302	Drive Disc Support	1	110	1739460	Flange Bearing	2
54	1185885	Woodruff Key, 3/16 x 5/8	1	111	1760218	Speed Control Arm	1
55	1745535	Spindle	1	112	1918852010	Frame	1
56	1720918	Drive Plate	1	113	1757886	Wheel & Tire Assembly	1
57	1100005	Hex Head Screw, 5/16-24 x 1	2	114	1757880	Wheel & Tire Assembly	1
58	1718781	Shim	A/R	203	1186211	Hex Nut, 5/16-24	1
59	1739488	Bearing Retainer	2	204	1916959	Hex Hd. Cap Screw, 5/16-24 x 4-1/2	1
60	1740002	Flat Washer, 7/8	4	205	1100255	Flat Washer, 5/16	2
61	1760252	Connecting Link	1				

*Purchase engine parts from the nearest authorized engine dealer. Refer to engine for type and code.

A/R – As Required

DRAWING NO. 4



Ref. #	Part #	Description	Qty.	Ref. #	Part #	Description	Qty.
1	1186329	Flange Bolt, 5/16-18 x 3/4	1	41	1720922	Bearing Support.....	2
2	1185403	Retainer, 3/8	1	42	1185798	Flange Bolt, 3/8-16 x 1/2.....	2
3	1757843	Knob	1	43	1772310	V-Belt (A)	1
4	1107383	Flat Washer, 3/8.....	7		1772310	V-Belt (B)	2
5	1737499	Grip.....	1	44	1725282	Auger Sheave (A)	1
6	1185984	Flange Nut, 3/8-16	1		1917403	Auger Sheave (B).....	1
7	1177625	Roll Pin, 1/8 x 3/4	5	45	1186097	Carriage Bolt, 5/16-18 x 5/8.....	7
9	1714782	Swivel Block	2	46	1741640	Ball Bearing	1
10	1186391	Flange Nut, 5/16-18	7	47	1772333	Lock Nut, #10-24.....	11
11	1754424	Crank Support	1	48	1103959	Flat Washer, #10.....	6
12	1756141	Chute Control Shaft	1	49	1724869	Hold-Down Clip	3
13	1735869	Gear Support	1	50	1752461	Sems Screw, #10-24 x 7/8.....	6
14	1100044	Hex Head Cap Screw, 5/16-18 x 3/4	6	51	1757840010	Chute Control Support	1
15	1724870	Worm Gear	1	52	1757824	Chute Crank Rod.....	1
16	1724885	Drive Pin, 3/32 x 3/4.....	1	53	1750692	Warning Decal	1
17	1100255	Flat Washer, 5/16.....	3	54	1723643001	Adjusting Lever.....	1
18	1774145	Collector Housing Assembly (Incl. Ref. 19) (A).....	1	56	1185147	Cotter Pin, 3/32 x 1/2.....	4
	1917463	Collector Housing Assembly (Incl. Ref. 19) (B).....	1	57	1737940	Truss-Head Bolt, #10-24 x 3/8.....	5
19	1750691	Warning Decal	1	58	1732499	Lock Nut, 5/16-18.....	11
20	1734398	Lock Nut, 1/4-20	6	59	1185838	Flange Bearing	2
21	1186126	Carriage Bolt, 3/8-16 x 3/4	4	60	1737419	Set Screw, 5/16-18 x 3/4	2
22	1757836	Chute Control Crank	1	61	1752460	Shim	4
23	1745799001	Impeller Fan.....	1	62	1714243	Nylon Bushing	2
24	1200033	HyPro Key, 3/16 x 3/4.....	1	63	1737957	Nylon Washer	2
25	1185348	Roll Pin, 1/4 x 1-1/4.....	2	64	1754572001	Housing Support	1
26	1185803	Grease Fitting.....	4	65	1753357	Sleeve.....	1
27	1735625	Shear Bolt Kit (Incl. one ea. shear bolt and Ref. 58 lock nut).....	1	66	1771718010	Discharge Chute Assembly.....	1
28	1918439001	26" Auger, R.H. (A)	1	67	1759140	Discharge Cap (Incl. Ref. 53).....	1
	1918443001	30" Auger, R.H. (B)	1	68	1750969	Button Plug.....	2
29	1185816	Special Washer, 1-1/64	6	69	1758058	Spun Silver Inlay.....	1
30	1100068	Hex Head Cap Screw, 3/8-16 x 3/4	2	70	1890945	Flat Washer, 3/8.....	1
31	1918438001	26" Auger, L.H. (A).....	1	71	1918881	Housing Logo Decal	1
	1918442001	30" Auger, L.H. (B).....	1	72	1739793	Gear Case Assembly (A)	1
32	1186098	Carriage Bolt, 5/16-18 x 3/4	2		1916969	Gear Case Assembly (B)	1
33	1758136001	Scraper Blade (A)	1	73	10771	*Drift Slicer (complete kit).....	1
	1916971001	Scraper Blade (B)	1	74	1918899	Auger Width Decal (A)	1
34	1728567010	Skid Shoe	2		1918900	Auger Width Decal (B)	1
35	1733398	Lock Nut, 3/8-16	6	76	1771274	Chute Deflector	1
36	1111599	Hex Head Cap Screw, 1/4-20 x 5/8	6	106	97092	Loctite #242, .02 oz.....	N/I
37	1100053	Hex Head Cap Screw, 1/2-13 x 3/4	2				
38	1100245	Lock Washer, 1/2.....	2				
39	1100257	Flat Washer, 1/2.....	2				
40	1185846	Flange Bearing.....	2				

(A) For Model 42051
(B) For Model 42052

* Drift Slicers are an optional item for Model 42051.
N/I - Item not included with unit. Order separately.
A/R - As Required