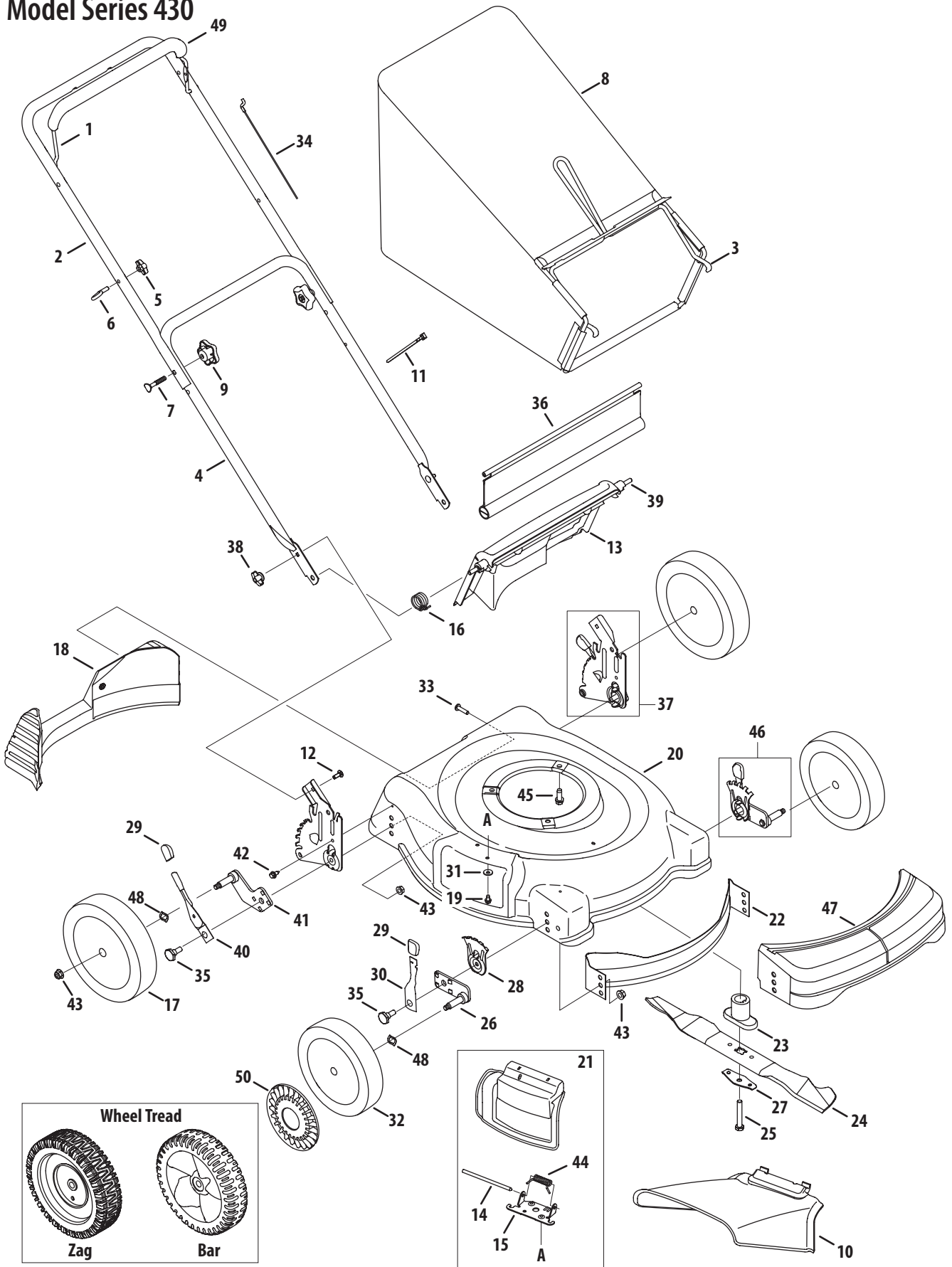


Model Series 430



Ref No.	Part Number	Description
1	747-1161A-0637	Blade Control Handle
2	749-1092A-0637	Upper Handle
3	747-04080A-0637	Grass Catcher Frame
4	749-0928A-0637	Lower Handle
5	720-0279	Wing Nut
6	710-1205	Rope Guide
7	710-1174	Carriage Bolt ,5/16-18 x 2
8	964-04007A	Grass Bag - Black
	964-04034A	Grass Bag - Gray
9	720-04072A	Hand Knob
10	731-04177	Side Chute
11	926-0240	Cable Tie
12	710-0703	Carriage Bolt ,1/4-20
13	731-06847	Rear Discharge Door
14	747-0710	Hinge Pin
15	17032A	Deflector Chute Adaptor
16	732-04090A	Torsion Spring - RH
17	734-2005B	Rear Wheel, 8 x 2.125, Zag, Black
	734-1987	Rear Wheel, 8 x 1.8, Bar, Gray
	734-2004B	Rear Wheel, 8 x 2.13, Zag, BB, Blk
18	731-04150C	Rear Baffle
19	710-0599	Screw, 1/4-20 x .500
20	787-01279	Deck - 21"
21	987-02055	Hinged Mulch Plug Assembly
22	782-5002B	Front Baffle
23	748-0377E	Blade Adapter, #6 x 2.15
	748-04082	Blade Adapter, 25mm x 2.15
24	942-0741A	Mulching Blade
25	710-1257	Hex Screw , 3/8-24 x 2.5
26	987-02509	Pivot Arm Assy LH (7" wheel)
	987-02508	Pivot Arm Assy RH (7" wheel)
	987-02509	Pivot Arm Assy RH (8" wheel)
	987-02508	Pivot Arm Assy LH (8" wheel)

Ref No.	Part Number	Description
27	736-0524B	Blade Bell Support
28	787-01290A	Front Adjustment Plate
29	720-0426	Adjustment Lever Knob
30	94832	Spring Lever Assembly
31	736-0270	Bell Washer
32	734-2005B	Front Wheel, 8 x 2.125, Zag, Blk
	734-1988	Front Wheel, 7 x 1.8, Bar, Gray
	734-2004B	Front Whl., 8 x 2.13, Zag, BB, Blk
33	710-1241	Screw, 1/4-15 x 1.000
34	946-1130	Control Cable 40"
	946-1137	Control Cable 53"
35	738-04266	Shoulder Screw
36	731-05642A	Trailshield
37	987-02270A	Rear Handle Bracket Assy. - LH
	987-02271A	Rear Handle Bracket Assy. - RH
38	912-0397	Wing Nut, 1/4-20
39	747-04587	Rear Door Pivot Rod
40	732-04175	Spring Lever
41	987-02333	Pivot Arm Assembly - RH
	987-02332	Pivot Arm Assembly - LH
42	710-1652	AB Screw
43	712-04065	Flange Lock Nut, 3/8-16
44	732-1014	Torsion Spring
45	710-0654A	TT Sems Screw, 3/8-16 x 1.0
46	987-02099C	Ht. Adj. Assy. Front LH (7" wheel)
	987-02100C	Ht. Adj. Assy. Front RH (7" wheel)
	987-02510	Ht. Adj. Assy. Front LH (8" wheel)
	987-02511	Ht. Adj. Assy. Front RH (8" wheel)
47	731-1506A†	Front Cover
48	936-0504†	Wave Washer
49	731-2626†	Bail Cover - Black
	731-04859†	Bail Cover - Gray
50	731-07001†	Hub Cap

† If Equipped