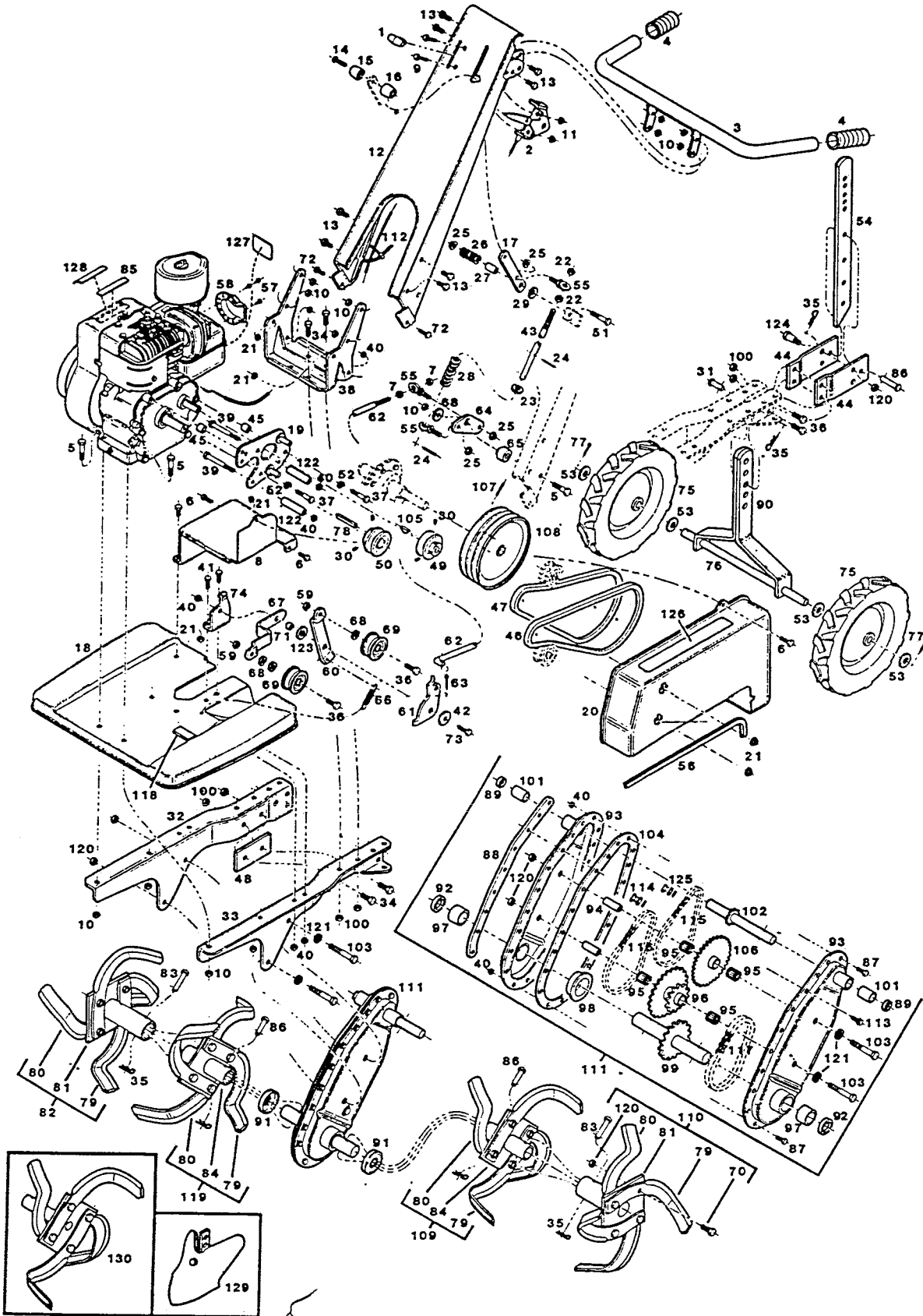


5 HP CHAIN DRIVE TILLER w/REVERSE  
MODEL 44-03365G



521955

5 HP CHAIN DRIVE TILLER w/REVERSE  
MODEL 44-03365G

Ref. No.	Part No.	Description	Ref. No.	Part No.	Description
1	744037	Knob—Throttle Control	65	468066	Spacer—Bellcrank
2	781419	Control—Throttle w/Cable	66	776807	Spring—Idler Return
3	590943	Handle Bar Assembly	67	557330	Arm—Forward Idler
4	751032	Grip—Handle	68	461731	Washer—Flat
5	150250	Bolt—Hex 5/16-18 x 1-1/2	69	672923	Pulley—Idler Assembly
6	152660	Bolt—1/4-20 x 1/2	70	715326	Bolt—3/8-16 x 1 Hex
7	310052	Nut—1/4-20	71	467829	Spacer—Pivot Plate
8	570333	Cover—Handle	72	449587	Bolt—Hex 1/4-20 x 5/8
9	458687	Screw—Hex 10-24 x 1/2	73	459909	Bolt—Hex Hd. 1/4-20 x 1
10	715490	Nut—Hex 5/16-18	74	771006	Bracket—Idler Mounting
11	715334	Nut—Hex 10-24	75	497826	Wheel—10 x 1.75 x 1/2
12	574426	Handle Panel Assembly	76	557116	Axle—Wheel
13	450437	Bolt—Hex 5/16-18 x 5/8	77	317016	Pin—Cotter 1/8 x 1
14	458661	Bolt—Phillips 10-24 x 1-1/4	78	446757	Key—Pulley
15	744086	Knob—Plain	79	786475	Tine—Bolo, L.H.
16	744094	Knob—Threaded 10-24	80	786699	Tine—Bolo, R.H.
17	422212	Lever Engagement	81	788117	Hub Assembly—Outer
18	570374	Tine Hood Assembly	82	570390	Tine Assembly—R.H. Outer
19	464180	Plate Assembly—Belt Guide	83	488825	Pin—Clevis 3/8 x 2
20	570556	Guard—Belt	84	788133	Hub Assembly—Inner
21	715078	Nut—Hex 1/4-20 Whiz	85	551846	Decal—Caution Disengage
22	452425	Nut—Hex 5/16-18	86	616532	Pin—Clevis 3/8 x 1 9/16
23	715185	Washer—Flat 5/16	87	715052	Bolt—Hex 1/4-20 x 1/2
24	489393	Pin—Roll 1/8 x 3/4	88	426015	Strap—Nut Plate
25	451419	Nut—Hex 1/4-20 Flange	89	774695	Seal—Input Shaft
26	775072	Spring—Engagement Lever	90	574780	Bracket—Wheel axle
27	468801	Spacer—Spring	91	762245	Cover—Tine Hub Seal
28	775080	Spring—Engagement Rod	92	774547	Seal—Output Shaft
29	715607	Washer—Belleville	93	432260	Transmission, Half w/bearings
30	156208	Set Screw—Pulley	94	432922	Sleeve—Bearing
31	488940	Pin Clevis 1/2 x 1-1/4	95	423434	Bearing—Sprocket
32	446955	Beam—Main Support R.H.	96	590000	Sprocket—Lower w/bearings
33	446930	Beam—Main Support L.H.	97	423731	Bearing—Output Shaft
34	458968	Bolt—Hex 3/8-16 x 1	98	468033	Spacer—Tine Shaft
35	715011	Hairpin Cotter	99	417501	Shaft—Output w/Sprocket
36	457176	Bolt—Hex Hd. 3/8-16 x 1-1/4	100	715441	Nut—Hex 3/8-16 whiz
37	150433	Bolt—Hex 1/4-20 x 2	101	423442	Bearing—Input Shaft
38	447011	Channel—Handle Support	102	417469	Shaft—Input w/Sprocket
39	450007	Bolt 1/4-20 x 3-1/4	103	458927	Bolt—Hex 3/8-16 x 2-3/4
40	715508	Nut—Hex 1/4-20 Locking	104	555151	Gasket—Transmission Housing
41	715045	Bolt—Hex 1/4-20 x 3/4	105	446773	Key—Woodruff
42	462762	Washer—Flat 1-1/8 x .327 x .060	106	590018	Sprocket—Upper w/Bearings
43	783985	Rod—Engagement Lever	107	314062	Pin—Roll 1/4 x 1-1/8
44	571232	Plate—Drag Bar	108	420919	Pulley Assembly—2 Groove
45	468678	Spacer	109	570408	Tine Assembly—L.H. Inner
46	421321	Belt—Forward	110	570416	Tine Assembly—L.H. Outer
47	421339	Belt—Reverse	111	432310	Transmission Assembly
48	468058	Spacer—Main Support Beam	112	110379	Cable Tie
49	420927	Reverse Pulley	113	153601	Bolt—Hex 1/4-20 x 3/4
50	618744	Forward Pulley	114	425124	Master Link No. 420
51	450379	Bolt—1/4-20 x 1-3/4	115	425314	Chain—Roller No. 35
52	715094	Washer—Lock	116	425421	Chain—Roller No. 420
53	151241	Washer—Wheel	117	425348	Chain—Roller No. 50
54	435032	Bar—Depth	118	446799	Protective Pad
55	152876	Stud—Lever	119	570382	Tine Assembly—R.H. Inner
56	447177	Rubber Strip	120	715086	Nut 3/8-16 Top Lock
57	120048	Screw—Muffler Deflector	121	461780	Washer—3/8 T-Lock
58	132142	Deflector—Muffler	122	468686	Spacer—Belt Guide
59	715524	Nut—Hex 3/8-16 Jam	123	152553	Washer—Thrust 1/2 ID x .032
60	778431	Arm—Reverse			Hardened
61	463323	Plate—Idler Pivot	124	153650	Bolt Shoulder
62	530402	Rod—Control Idler	125	424903	Master Link No. 35
63	715029	Pin—Cotter 3/32 x 3 4	126	551648	Decal—Caution
64	530428	Bellcrank—Control Plate	127	551655	Decal—Tine Warning
			128	551713	Decal—Hand Placement

Optional Accessories

129	465823	Furrowing Kit
130	785758	Tine Extension Kit
	432849	Gear Lube 8 oz. (not shown)

NOTE: Parts are right and left hand as viewed from operator position.  
Specifications subject to change without prior notice.