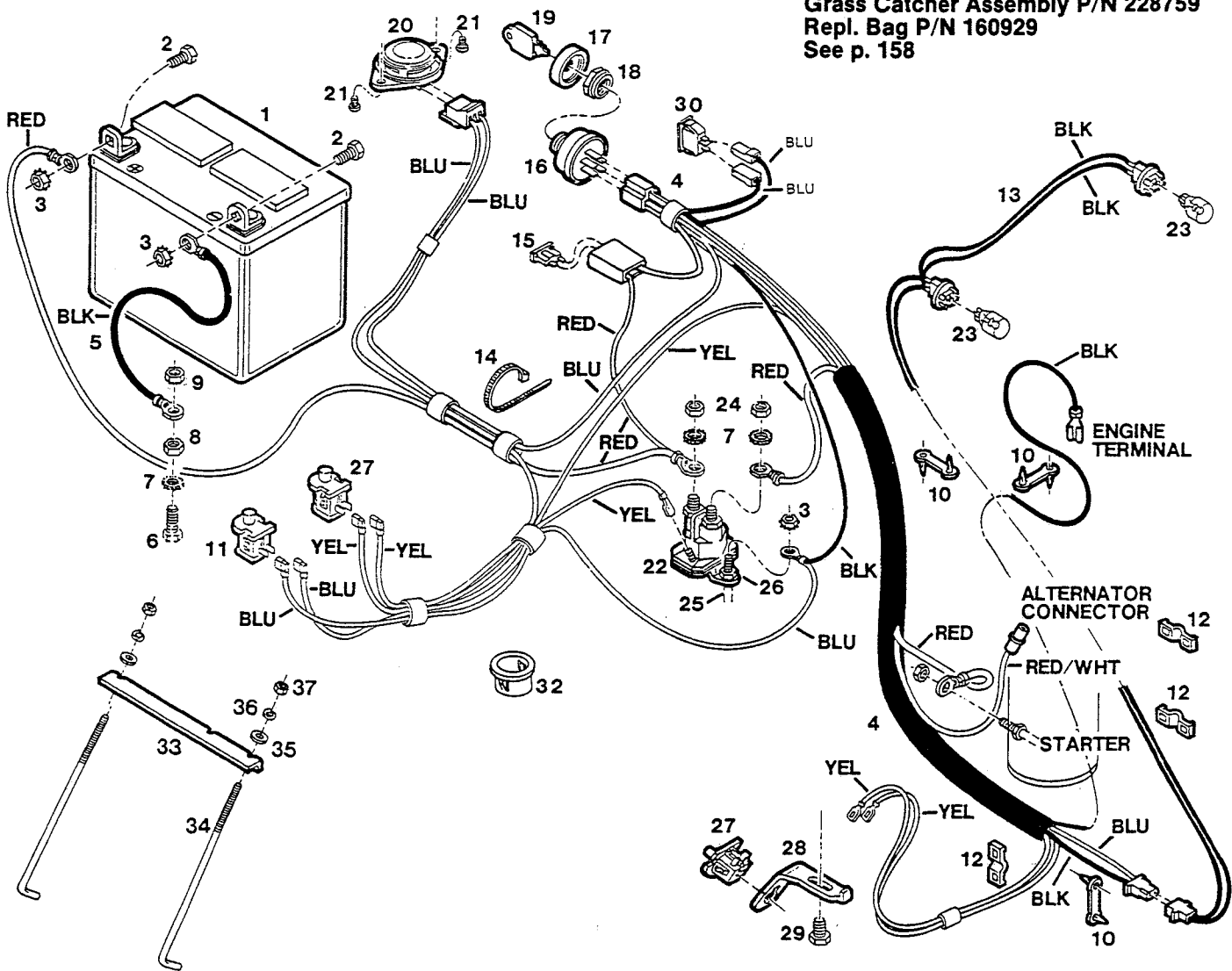


**MODEL 440AL**  
**12.5 HP 39" Cut Front Engine Riding Mower**  
**Uses Grass Catcher Model 39/45**  
**Grass Catcher Assembly P/N 228759**  
**Repl. Bag P/N 160929**  
**See p. 158**

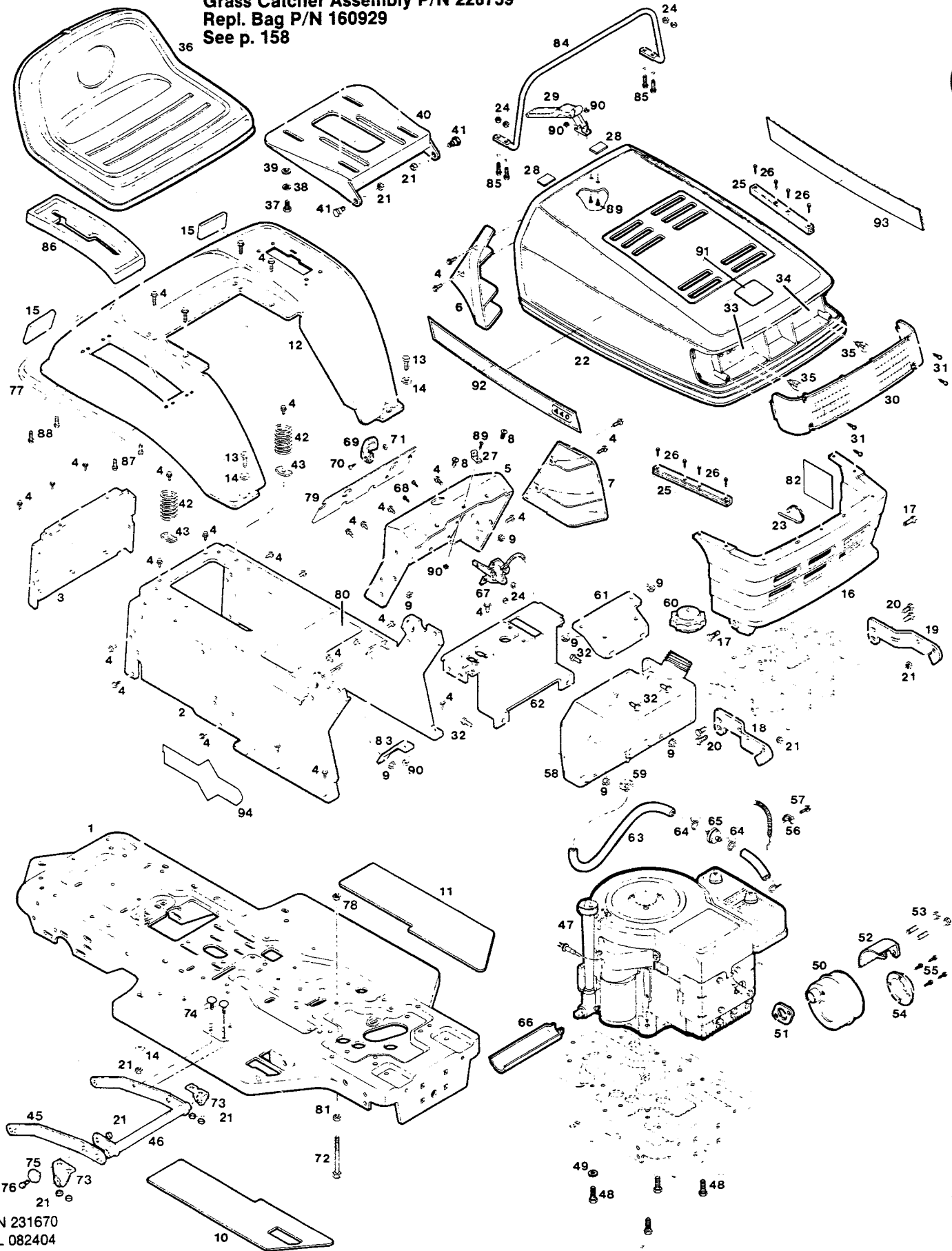


## ELECTRICAL SYSTEM

Index No.	Part No.	Description	Index No.	Part No.	Description
1	138735	Battery - 12 volt, dry	20	138768	Switch - seat
2	449587	Bolt - 1/4-20 x 5/8 hex hd.	21	158030	Screw - 1/4-20 x 3/8 phil. pan head
3	715037	Nut - 1/4-20 hex keps	22	134940	Solenoid - starter
4	138875	Harness - wire	23	135533	Bulb - headlight
5	134908	Wire - ground	24	157974	Nut - 5/16-24 hex
6	152108	Bolt - 5/16-18 x 1 hex hd.	25	158121	Bolt - 1/4-20 x 3/4 hex head
7	152975	Washer - 5/16 ext. tooth lock	26	616375	Nut - 1/4-20 hex center lock
8	616342	Nut - 5/16-18 center lock	27	138776	Switch - neutral start
9	310151	Nut - 5/16-18 nylok	28	174664	Bracket - switch mtg.
10	112326	Retainer - wire	29	158089	Screw - taptite 1/4-20 x 1/2
11	138750	Switch - interlock	30	135814	Switch - headlight
12	134676	Clip - wire, press on	31	452615	Nut - hex 1/4-20 nylok
13	136945	Harness - headlight	32	114934	Bushing - wire insulator
14	110379	Tie - nylon cable	33	095687	Bracket - battery hold-down
15		Fuse - 15 amp (purchase locally)	34	095695	Rod - battery hold-down
16	135798	Switch - ignition w/o keys	35	615690	Washer - flat 1/4
17	112698	Boot - ignition switch	36	715094	Washer - split lock 1/4
18	158717	Nut - 5/8-32 ignition switch	37	310052	Nut - hex 1/4-20
19	136242	Key - ignition			

S/N 231670  
P/L 082404  
O/M 082396  
E/M 188953  
P/B 397034

**MODEL 440AL**  
**12.5 HP 39" Cut Front Engine Riding Mower**  
**Uses Grass Catcher Model 39/45**  
**Grass Catcher Assembly P/N 228759**  
**Repl. Bag P/N 160929**  
**See p. 158**



S/N 231670  
P/L 082404  
O/M 082396  
E/M 188953  
P/B 397034

**MODEL 440AL**  
**12.5 HP 39" Cut Front Engine Riding Mower**  
**Uses Grass Catcher Model 39/45**  
**Grass Catcher Assembly P/N 228759**  
**Repl. Bag P/N 160929**  
**See p. 158**

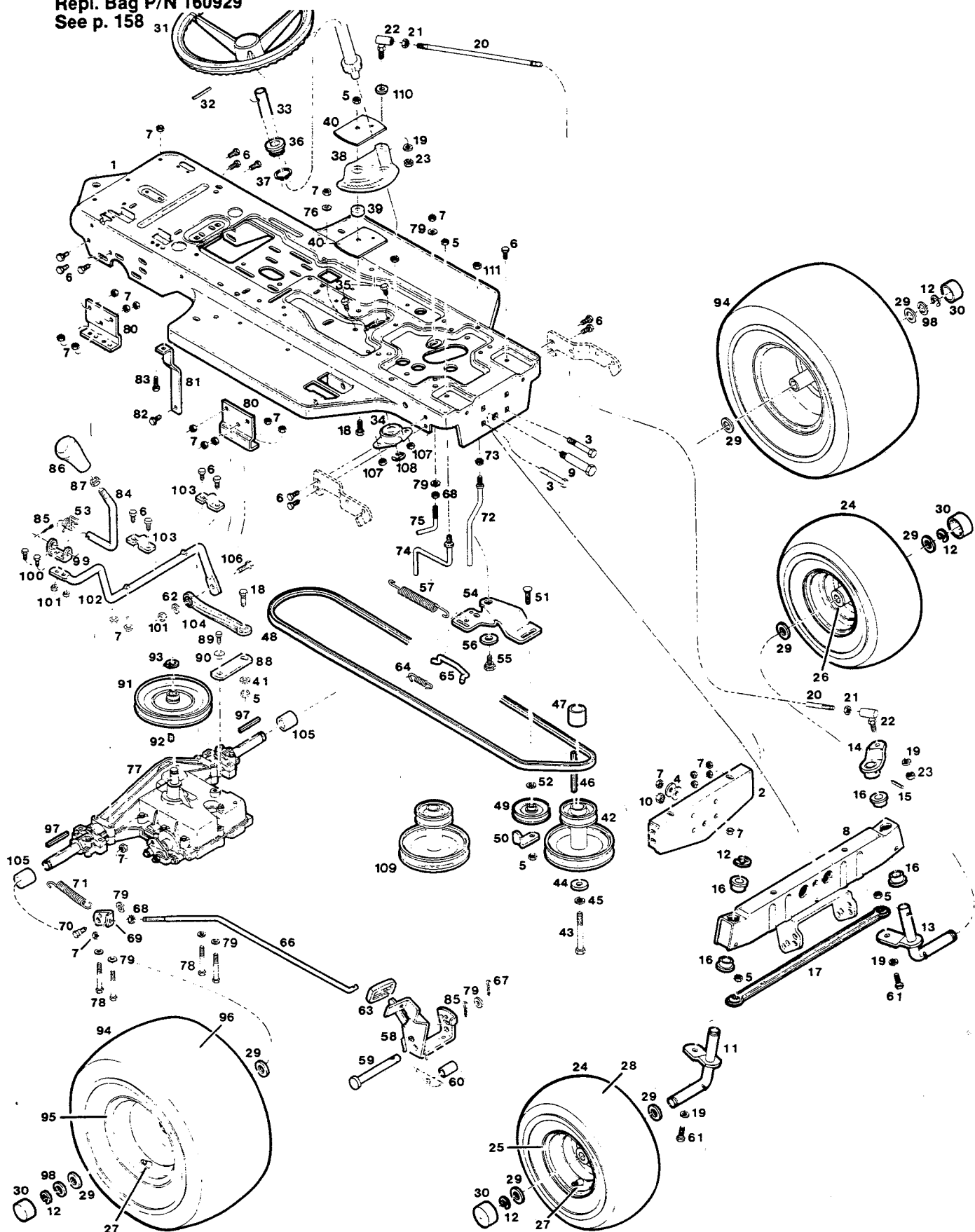
# MAIN FRAME

Index No.	Part No.	Description	Index No.	Part No.	Description
1	023580	Frame - main	51	134692	Gasket - muffler
2	017459	Console - chassis	52	096263	Shield - heat
3	013250	Plate - console rear	53	312165	Bolt - hex 5/16-18 x 3-1/2
4	158089	Screw - taptite 1/4-20 x 1/2	54	174797	Deflector - exhaust
5	023036	Dash panel	55	158527	Screw - hex #8-32 x 3/8
6	113647	Extension - dash RH	56	159269	Clamp - throttle cable
7	113167	Extension - dash LH	57	159277	Screw - cable clamp
8	715458	Screw - slot hd 1/4-20 x 1/2	58	115071	Tank - fuel
9	452615	Nut - hex 1/4-20 nylok	59	162404	Clamp - fuel line
10	113092	Pad - foot RH platform	60	113340	Cap - fuel tank
11	113084	Pad - foot LH platform	61	017889	Bracket - fuel tank
12	023690	Fender - rear wheel	62	017442	Bracket - fuel tank
13	152108	Bolt - hex 5/16-18 x 1	63	137745	Hose - fuel line
14	158469	Washer - flat 5/16	64	303859	Clamp - fuel line
15	114850	Reflector - rear, red	65	432625	Filter - fuel
16	113142	Hood - lower	66	112805	Trough - oil drain
17	162057	Bolt - shoulder 5/16-18 x 1	67	052720	Lever - throttle w/cable
18	085399	Support - hood RH	68	158451	Screw - taptite #10-24 x 5/8
19	085381	Support - hood LH	69	112730	Knob - throttle lever
20	450437	Bolt - hex 5/16-18 x 5/8	70	159335	Screw - pan head #8-32 x 3/8
21	310151	Nut - hex 5/16-18 nylok	71	159244	Nut - hex #8-32
22	115105	Hood - upper	72	158584	Bolt - hex 3/8-16 x 7-1/2
23	110379	Strap - tie	73	023614	Bracket - hanger
24	452318	Nut - hex nylok #10-24	74	313502	Bolt - rd head 5/16-18 x 1
25	015297	Strip - hood sides	75	158691	Nut - eccentric, deck leveling
26	151118	Screw - taptite #10-24 x 1/2	76	156968	Bolt - hex 5/16-18 x 1-1/4
27	115147	Keeper - hood latch	77	112318	Strip - fender trim
28	446799	Pad - hood	78	715524	Nut - hex jam 3/8-16 lock
29	115139	Latch - hood	79	796102	Decal - dash, OPERATION
30	115253	Lens - headlights	80	009589	Decal - console, DANGER
31	158865	Screw - taptite #6 x 1/2	81	310011	Nut - hex 3/8-16 center lock
32	450858	Screw - hex tap 1/4-20 x 3/4	82	006874	Decal - heat reflective
33	797696	Reflector - headlight RH	83	018044	Brace - fuel tank
34	797704	Reflector - headlight LH	84	174938	Support - hood
35	135533	Bulb - headlight	85	159400	Screw - hex taptite #10-24 x 1
36	136960	Seat	86	086793	Guide - shift lever w/decals
37	450346	Bolt - hex 5/16-18 x 3/4	87	158840	Screw - taptite #10-24 x 3/4
38	311118	Washer - split lock 5/16	88	158832	Screw - taptite #10-24 x 1/2
39	715185	Washer - flat 5/16	89	459925	Screw - phil. head #8-32 x 3/8
40	013888	Plate - seat mount	90	452102	Nut - hex keps #8-32
41	157503	Bolt - shoulder 5/16-18 x 5/32	91	795344	Decal - Made in USA
42	135632	Spring - seat	92	798769	Decal - hood side RH
43	097386	Clamp - seat spring	93	798777	Decal - hood side LH
44	023606	Link - suspension RH	94	798835	Logo - plastic 12.5-39
45	023598	Suspension assembly LH	--	392043	Hitch Extension Kit
46		Engine - 12.5 HP			
47					
48	158014	Bolt - hex tap 3/8-16 x 1-1/4			
49	153551	Washer - ext tooth lock 3/8			
50	136523	Muffler - exhaust			

\*Contact engine manufacturer's authorized service dealer for parts and warranty.

S/N 231670  
P/L 082404  
O/M 082396  
E/M 188953  
P/B 397034

**MODEL 440AL**  
**12.5 HP 39" Cut Front Engine Riding Mower**  
**Uses Grass Catcher Model 39/45**  
**Grass Catcher Assembly P/N 228759**  
**Repl. Bag P/N 160929**  
**See p. 158**



S/N 231670  
P/L 082404  
O/M 082396  
E/M 188953  
P/B 397034

**MODEL 440AL**  
**12.5 HP 39" Cut Front Engine Riding Mower**  
**Uses Grass Catcher Model 39/45**  
**Grass Catcher Assembly P/N 228759**  
**Repl. Bag P/N 160929**  
**See p. 158**

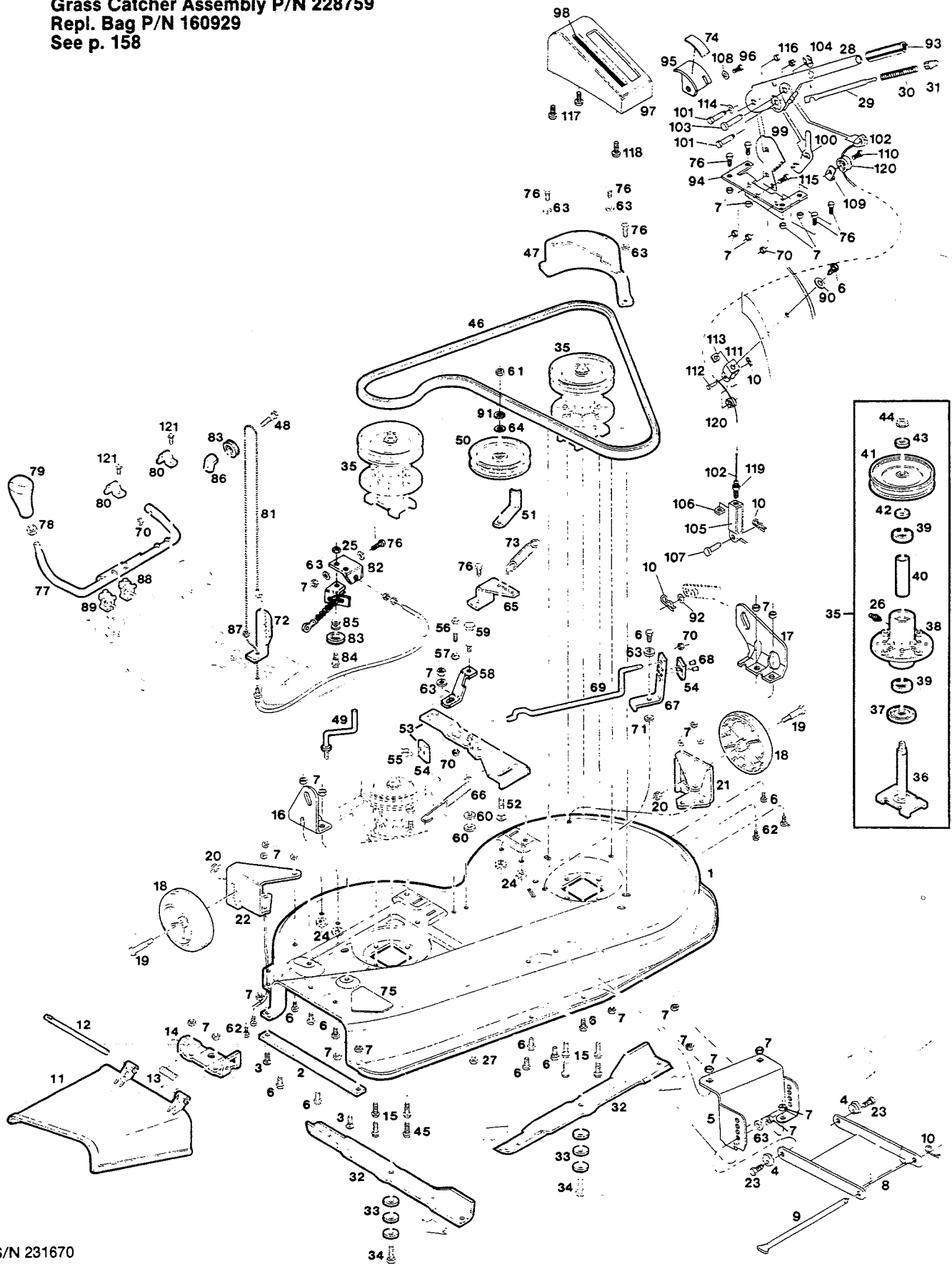
# CHASSIS

Index No.	Part No.	Description	Index No.	Part No.	Description
1	023580	Frame - main	57	158576	Spring - idler arm
2	019224	Bracket - front axle	58	391235	Pedal - clutch/brake w/brake latch
3	164707	Bolt - shoulder 5/16-18 x 2-1/2	59	089912	Shaft - pedal
4	462762	Washer - flat 5/16	60	172189	Spacer - pedal
5	451195	Nut - hex 3/8-16 nylok	61	159020	Bolt - hex 3/8-16 x 1-1/2
6	450437	Bolt - hex 5/16-18 x 5/8	62	615690	Washer - flat 1/4
7	310151	Nut - hex 5/16-18 nylok	63	135566	Pad - pedal
8	023523	Axle - front	64	158592	Spring - pedal return
9	380485	Bolt - shoulder 1/2-20 x 2-5/8	65	096719	Rod - clutch
10	158428	Nut - hex 1/2-20 ctr. lock	66	179358	Rod - brake
11	022533	Spindle - steering RH	67	715029	Pin - cotter 3/32 x 3/4
12	316513	Ring - retainer	68	150136	Nut - hex keps 5/16-18
13	022541	Spindle - steering LH	69	113241	Bracket - brake rod
14	023432	Arm - steering	70	157503	Bolt - shoulder 5/16-18 x 11/16
15	314088	Pin - roll 1/4 x 1-1/4	71	109637	Spring - brake return
16	135673	Bearing - spindle	72	096644	Guide - belt
17	172486	Rod - tie, steering	73	451500	Nut - hex keps 3/8-16
18	457176	Bolt - hex 3/8-16 x 1-1/4	74	097808	Guide - belt
19	150185	Washer - lock 3/8	75	096669	Guide - belt
	391722	Drag link assembly, (includes 20, 21 & 22)	76	158212	Washer - flat
20	097071	Link - drag	77	*	Transaxle - 5 speed
21	158105	Nut - hex jam 3/8-24			(Foote Model 4360-62)
22	135038	Joint - ball	78	158154	Bolt - hex 5/16-18 x 2-3/4
23	615633	Nut - hex 3/8-24	79	715185	Washer - flat 5/16
24	042572	Wheel - front w/tire & rim	80	013243	Bracket - transaxle
25	042259	Rim - front tire	81	018143	Brace - transaxle
26	159384	Bearing - wheel	82	159228	Bolt - hex tap 5/16-18 x 3/4
27	136291	Stem - valve w/cap	83	152108	Bolt - hex 5/16-18 x 1
28	042879	Tire - front 15 x 6.00 tubeless	84	089201	Lever - gear shift, upper
29	158063	Washer - flat 3/4	85	317016	Pin - cotter 1/8 x 1
30	112409	Cap - hub	86	112664	Knob - shift lever
31	112771	Wheel - steering	87	615625	Nut - hex jam 1/2-13
32	159434	Pin - roll 1/4 x 2	88	179945	Arm - shift
33	094755	Shaft - steering w/gear	89	157982	Bolt - hex nylock 1/4-28 x 3/4
34	094748	Bearing - steering shaft, lower	90	157792	Washer - flat
35	382853	Screw - hex 1/4-20 x 3/4 w/washer	91	172072	Pulley - transaxle
36	135640	Bearing - steering shaft, upper	92	615534	Key - woodruff #9
37	158535	Ring - retaining, upper bearing	93	170035	Ring - retainer
38	094680	Sector - steering	94	042564	Wheel - rear w/tire
39	094706	Bushing - sector	95	042291	Rim - rear wheel
40	094698	Plate - sector support	96	042861	Tire - rear 18 x 9.50 tubeless
41	715417	Washer - flat 3/8	97	446617	Key - rear wheel 3/16 x 2-1/2
42	115140	Pulley - engine, double	98	158188	Washer - flat 3/4
43	162099	Bolt - hex 7/16-20 x 4-1/2	99	179424	Bracket - shift lever
44	158253	Washer - pilot	100	159004	Bolt - hex 1/4-20 x 3/4
45	311068	Washer - split lock 7/16	101	452615	Nut - hex 1/4-20 nylok
46	162032	Key - pulley	102	178962	Lever - gear shift, lower
47	162354	Spacer - pulley	103	173054	Clip - retainer, tower lever
48	171215	Belt - drive	104	177303	Link - connecting
49	109645	Pulley - idler	105	158725	Spacer - rear wheel
50	015198	Retainer - belt	106	381020	Bolt - shoulder 1/4-20 x 1-1/4
51	158444	Bolt - carriage 3/8-16 x 2	107	451419	Nut - hex 1/4-20 toplock
52	158345	Washer - flat 3/8	108	789883	Ring - retaining, lower shaft
53	179408	Spring - torsion	109	095013	Pulley - engine, double assy.
54	023408	Arm - idler	110	468652	Spacer
55	157479	Bolt - shoulder 5/16-18 x 1-1/4	111	715524	Nut - hex jam 3/8-16 lock
56	158048	Washer - flat	--	042077	Tube - front tire 15 x 6.00 (optional)
			--	042093	Tube - rear tire 18 x 9.50 (optional)
			--	393736	Sealant - tire, 16 oz. bottle
			--	393744	Sealant - tire, 32 oz. bottle

\* Contact Foote - authorized service dealer or distributor for parts and warranty.

S/N 231670  
P/L 082404  
O/M 082396  
E/M 188953  
P/B 397034

**MODEL 440AL**  
**12.5 HP 39" Cut Front Engine Riding Mower**  
**Uses Grass Catcher Model 39/45**  
**Grass Catcher Assembly P/N 228759**  
**Repl. Bag P/N 160929**  
**See p. 158**

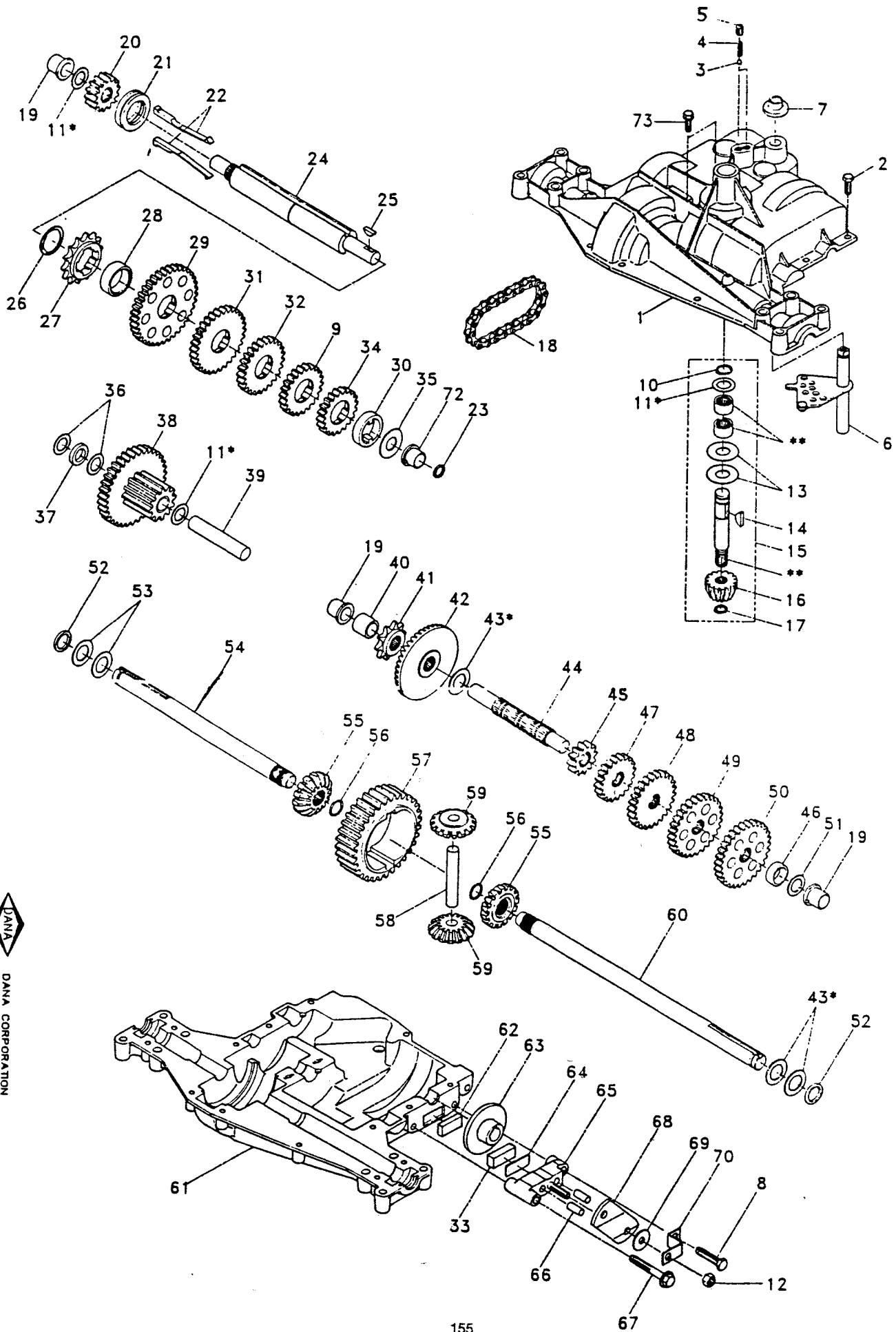


S/N 231670  
P/L 082404  
O/M 082396  
E/M 188953  
P/B 397034

# 39" MOWER DECK AND DRIVE

Index No.	Part No.	Description	Index No.	Part No.	Description
1	017004	Deck 39"	62	617019	Bolt - hex 5/16-18 x 7/8
2	014456	Bar - skid	63	715185	Washer - flat 5/16
3	313510	Bolt - carriage 5/16-18 x 3/4	64	715417	Washer - flat 3/8
4	158691	Nut - eccentric, deck leveling	65	023283	Extension - idler arm
5	014480	Bracket - deck drawbar	66	091918	Spring - brake
6	450437	Bolt - hex 5/16-18 x 5/8	67	172619	Arm - blade brake includes 54 and 68
7	310151	Nut - hex 5/16-18 nylok	68	159186	Rivet
8	014431	Drawbar - deck	69	135780	Rod - brake
9	097469	Pin - drawbar	70	452615	Nut - hex 1/4-20 nylok
10	715011	Hairpin cotter	71	158212	Washer - flat 5/16
11	113076	Deflector - discharge opening	72	177659	Bracket - cable anchor
12	096438	Pin - deflector hinge	73	094474	Spring - clutch engaging
13	097972	Spring - chute deflector	74	008433	Decal - height numbers
14	014449	Bracket - deflector pivot	75	143115	Decal - DANGER
15	159830	Bolt - hex taptite 5/16-18 x 7/8	76	450346	Bolt - hex 5/16-18 x 3/4
16	014498	Bracket - deck lift RH	77	092452	Lever - engaging, blade drive
17	014506	Bracket - deck lift LH	78	615625	Nut - hex jam 1/2-13
18	042226	Wheel - deck 6"	79	112664	Knob - engaging lever
19	157495	Bolt - shoulder 3/8-16 x 2-1/8	80	097253	Clip - lever retaining
20	451195	Nut - hex 3/8-16 nylok	81	053038	Cable - engaging, blade drive - includes 25, 82, 83, 84 and 85
21	014522	Bracket - deck wheel LH	82	174128	Bracket - guide pulley
22	014530	Bracket - deck wheel RH	83	092429	Pulley - cable guide
23	156968	Bolt - hex 5/16-18 x 1-1/4	84	158683	Bolt - shoulder 1/4-20 x 1
24	164467	Washer - flat 7/16	85	158956	Washer - flat 1/4 special
25	616375	Nut - hex 1/4-20 center lock	86	096305	Retainer - cable
26	164673	Fitting - grease	87	159426	Nut - hex 1/4-28 jam
27	156406	Nut - hex 3/8-16 ser lock	88	138750	Switch - system interlock
28	022665	Lever - height adjusting	89	138776	Switch - system interlock
29	172403	Rod - lever	90	014142	Washer - formed
30	097295	Spring - lever	91	150185	Washer - split lock 3/8
31	112672	Knob - adjusting lever	92	156075	Washer - flat 1/2
32	030544	Blade - hi lift 19-1/2"	93	112680	Grip - lever
33	158055	Washer - formed spring 3/8	94	014134	Bracket - lever
34	158543	Bolt - hex 3/8-24 x 1 nylock	95	113316	Indicator - height of cut
35	094920	Spindle assembly - blade includes 36 thru 44	96	158527	Screw #8-32 x 3/8
36	098160	Shaft - blade w/saddle	97	113290	Cover - height adjust lever
37	134981	Shield - dust	98	008425	Decal - cover
38	138685	Housing - spindle w/o bearings	99	098459	Quadrant - height adjust
39	137760	Bearing - blade shaft	100	098467	Pawl - height adjust
40	095398	Spacer - bearings	101	158675	Bolt - shoulder 5/16-18 x 5/8
41	023674	Pulley - drive	102	052266	Cable - deck lifting
42	159319	Spacer - pulley	103	097337	Pin - clevis
43	157396	Washer - pulley retainer	104	158887	E Ring
44	159301	Nut - hex flange lock 7/16-20	105	159137	Clevis - lift cable
45	159202	Bolt - hex taptite 5/16-18 x 1-3/8	106	157966	Nut - square 1/4-20
46	136176	Belt - blade drive	107	157263	Pin - clevis
47	115419	Guard - belt, L.H.	108	715136	Washer - flat #10
48	157446	Bolt - shoulder 1/4-20 x 1-3/8	109	097352	Retainer - cable
49	172130	Guide - belt	110	158683	Bolt - shoulder 1/4-20 x 1
50	098004	Pulley - idler	111	097279	Clevis - pulley, on fender
51	098012	Retainer - belt	112	097287	Pin - clevis
52	158444	Bolt - carriage 3/8-16 x 2	113	158923	Nut - square 5/16-18
53	098053	Arm - idler w/brake pad includes next three parts:	114	159343	Washer - flat 1/2
	014084	Arm - idler w/o brake pad	115	152108	Bolt - hex 5/16-18 x 1
54	135046	Pad - brake	116	157610	Nut - hex 5/16-18 flanged
55	159152	Rivet - 3/16 x 1/2	117	158832	Screw - taptite #10-24 x 1/2
56	150433	Bolt - hex 1/4-20 x 2	118	159400	Screw - #10-24 x 1
57	715037	Nut - hex keps 1/4-20	119	310052	Nut - hex 1/4-20
58	023531	Bracket - idler arm pivot	120	092429	Pulley - cable
59	158733	Bolt - shoulder 3/8-16 x 2-9/16	121	158089	Screw - taptite 1/4-20 x 1/2
60	158337	Washer - flat 3/8 special (thick)		031039	Blade - No Lift (optional)
61	715391	Nut - hex 3/8-16		396960	Deck Assembly - complete

S/N 231670  
P/L 082404  
O/M 082396  
E/M 188953  
P/B 397034





DANA CORPORATIONSERVICE PARTS REPLACEMENT LISTING

MODEL NO.: 4360-62

DATE: 9-8-92

DESCRIPTION: FIVE SPEED LINEAR SHIFT TRANSAXLECUSTOMER & PART NO.: GENERAL POWER EQUIPMENT CO. GPE P/N 175042

<u>KEY</u> <u>NO.</u>	<u>DANA</u> <u>PART NO.</u>	<u>GENERAL</u> <u>POWER</u> <u>PART NO.</u>	<u>NO.</u> <u>REQ'D.</u>	<u>DESCRIPTION</u>
1	5305		1	Housing, Upper
2	1919		14	Screw, Tapping, 1/4-20 X .734 Lg.
3	5112		2	Ball, Detent
4	3626		2	Spring, Detent
5	3623		2	Screw, Set
6	4731		1	Ass'y., Kit, Shifter
7	5024		1	Boot, Shifter
8	3724		1	Screw, Tapping, 5/16-18 X 1.44 Lg.
9	3869		1	Gear, Spur, 22T.
10	1099		1	Ring, Retaining
11	4689		3*	Ass'y., Kit, Shim, .625 Shaft
12	3847		1	Nut, Lock, 5/16-24
13	3876		2	Washer, Plain, .632 X 1.38 X .046
14	1374		1	Key, Woodruff, #9
15	4551		1	Ass'y., Kit, Input Shaft
16	3590		1	Pinion, Bevel, 14T.
17	3624		1	Ring, Retaining
18	1090		1	Chain, 22 Pitches
19	1542		3	Bearing, Flange
20	5280		1	Gear, Spur, 14T.
21	5303		1	Collar, Clutch
22	4758		1	Ass'y., Kit, Clutch Keys
23	5279		1	Square-Ring
24	5281		1	Shaft, Intermediate
25	1375		1	Key, Woodruff, #61
26	3627		1	Ring, Retaining
27	3897		1	Sprocket, Special, 14T.
28	3841		1	Spacer
29	3786		1	Gear, Spur, 37T.
30	5027		1	Spacer, 1.133 X 1.50 X .374
31	3867		1	Gear, Spur, 30T.
32	3783		1	Gear, Spur, 25T.
33	3907		1	Puck, Friction
34	3817		1	Gear, Spur, 20T.
35	3628		1	Washer, Plain, .640 X 1.37 X .061
36	1423		2	Washer, Plain, .632 X 1.00 X .026
37	3422		1	Spacer, .630 X 1.00 X .169
38	4286		1	Ass'y., Gear, Comb., 12T. & 35T.
39	3967		1	Shaft, Idler

NOTE: Transaxles & transaxle parts are to be ordered from Foote/Dana's Central Parts/Service Distributors. See p. 154.

Model #4360-62  
Page 2

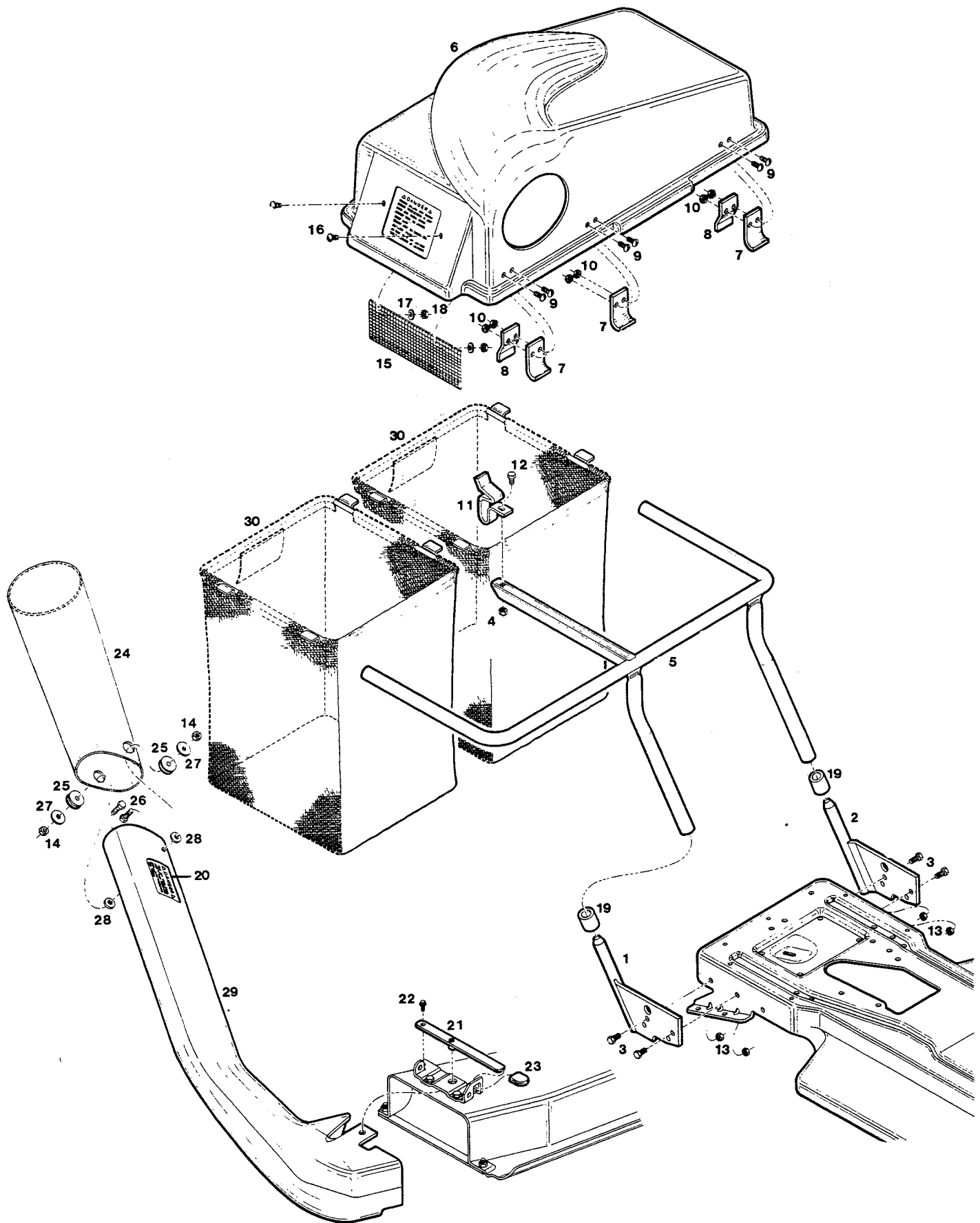
<u>KEY</u> <u>NO.</u>	<u>DANA</u> <u>PART NO.</u>	<u>GENERAL</u> <u>POWER</u> <u>PART NO.</u>	<u>NO.</u> <u>REQ'D.</u>	<u>DESCRIPTION</u>
40	3901		1	Spacer, .635 X .875 X .755
41	3815		1	Sprocket, 10T.
42	3853		1	Gear, Bevel, 42T.
43	4691		2*	Ass'y., Kit, Shim, .750 Shaft
44	3882		1	Shaft, Drive
45	3646		1	Gear, Spur, 12T.
46	3714		1	Spacer, .781 X 1.00 X .375
47	3866		1	Gear, Spur, 20T.
48	3719		1	Gear, Spur, 25T.
49	3868		1	Gear, Spur, 28T.
50	3818		1	Gear, Spur, 30T.
51	1145		1	Washer, Plain, .632 X 1.00 X .060
52	5130		2	Washer, Neoprene
53	3184		2	Washer, Plain, .758 X 1.25 X .031
54	3895		1	Axle, L.H.
55	3780		2	Gear, Miter, 15T.
56	3656		2	Ring, Retaining
57	3839		1	Gear, Spur, 32T.
58	3919		1	Shaft, Cross
59	3781		2	Gear, Miter, 15T.
60	3896		1	Axle, R.H.
61	5304-A		1	Housing, Lower
62	3920		1	Puck, Friction
63	3276		1	Disc, Brake
64	3758		1	Spacer
65	3916		1	Jaw, Brake
66	3843		2	Pin, Dowel
67	5120		1	Screw, Tapping, 5/16-18 X 2.25 Lg.
68	5284		1	Lever, Actuating
69	3760		1	Washer, Plain, .321 X 1.00 X .055
70	3917		1	Bracket, Anti-Rotation
71	4300		1	Grease
72	5278		1	Bearing, Flange
73	5131		2	Screw, Tapping, w/Sealer

\* Use in various combinations to maintain proper clearances.

\*\* Order Key No. 15.

NOTE: Transaxles & transaxle parts are to be ordered from Foote/Dana's Central Parts/Service Distributors. See p. 154.

**MODEL 39/45**  
**Rear Bagging Grass Catcher**



S/N 228759  
P/L 186759

Index Part		
No.	No.	Description
1	086488	Bracket-mounting RH
2	086496	Bracket-mounting LH
3	152108	Bolt-hex 5/16-18 center lock
4	616342	Nut-hex 5/16-18 center lock
5	338301	Frame—bag support
6	176404	Cover—grass catcher
7	098590	Hinge—cover
8	098582	Clip—bag retainer
9	159491	Screw—slotted hd 1/4-20 x 5/8
10	715037	Nut—hex keps 1/4-20
11	176420	Latch—cover
12	312074	Bolt—hex 5/16-18 x 5/8
13	157628	Nut-hex 5/16-18 flange
14	616375	Nut—hex 1/4-20 center lock
15	160945	Screen—cover vent
16	159442	Screw—slotted #10-24 x 5/8
17	159467	Washer—flat 13/64
18	715334	Nut-hex keps #10-24
19	381186	Spacer—pin
20	005751	Decal—DANGER
21	098558	Lever—chute latch
22	159483	Screw—tapping 5/16-18 x 1/2
23	110510	Tip—latch lever
24	042044	Tube—discharge, upper
25	159525	Grommet—rubber
26	159004	Bolt-hex 1/4-20 x 3/4
27	159509	Washer—flat 9/32 ID, 1-1/4 OD
28	158113	Washer—flat 5/16 ID, 3/4 OD
29	098533	Tube—discharge, lower
30	160929	Bag—grass collector, with frame