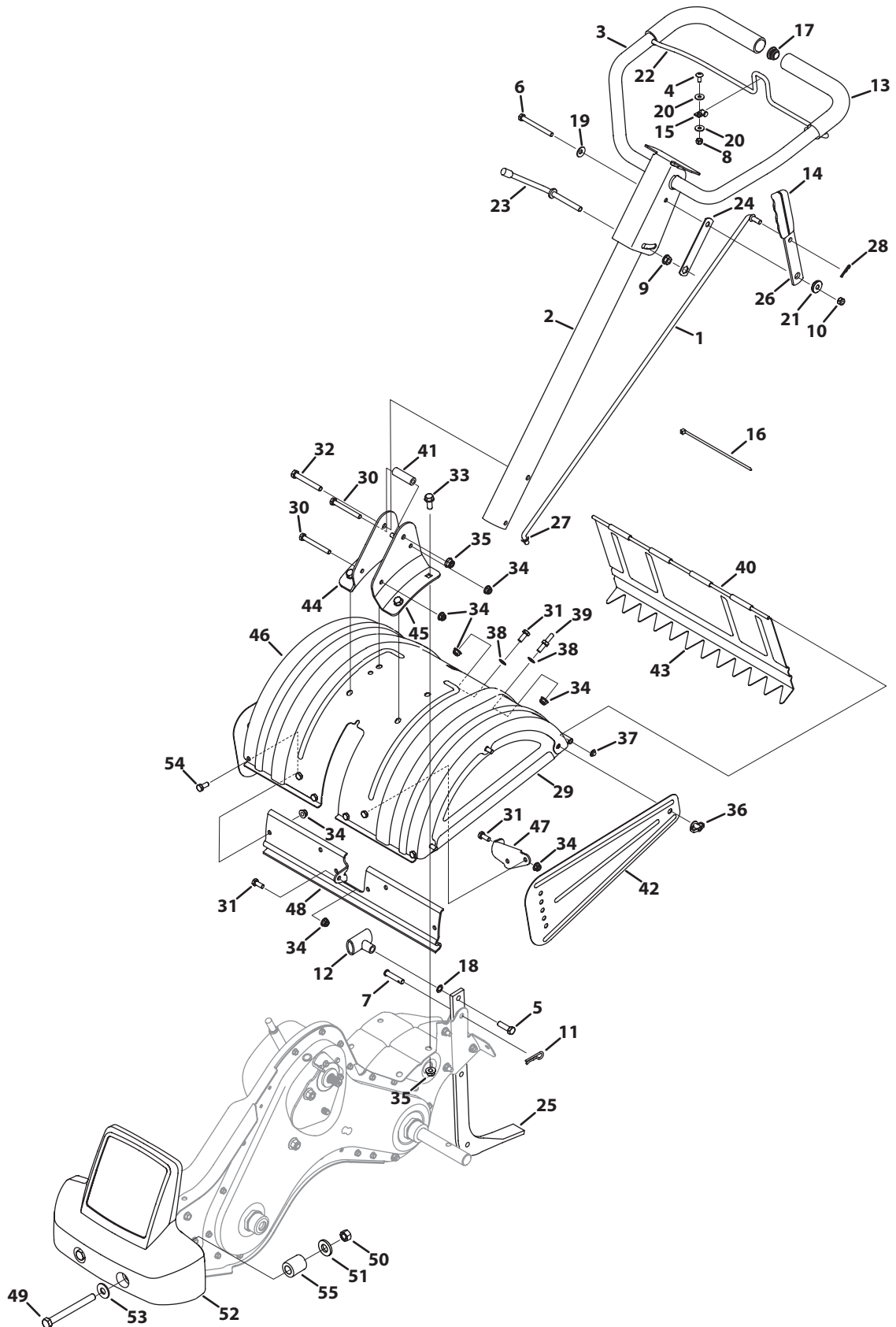


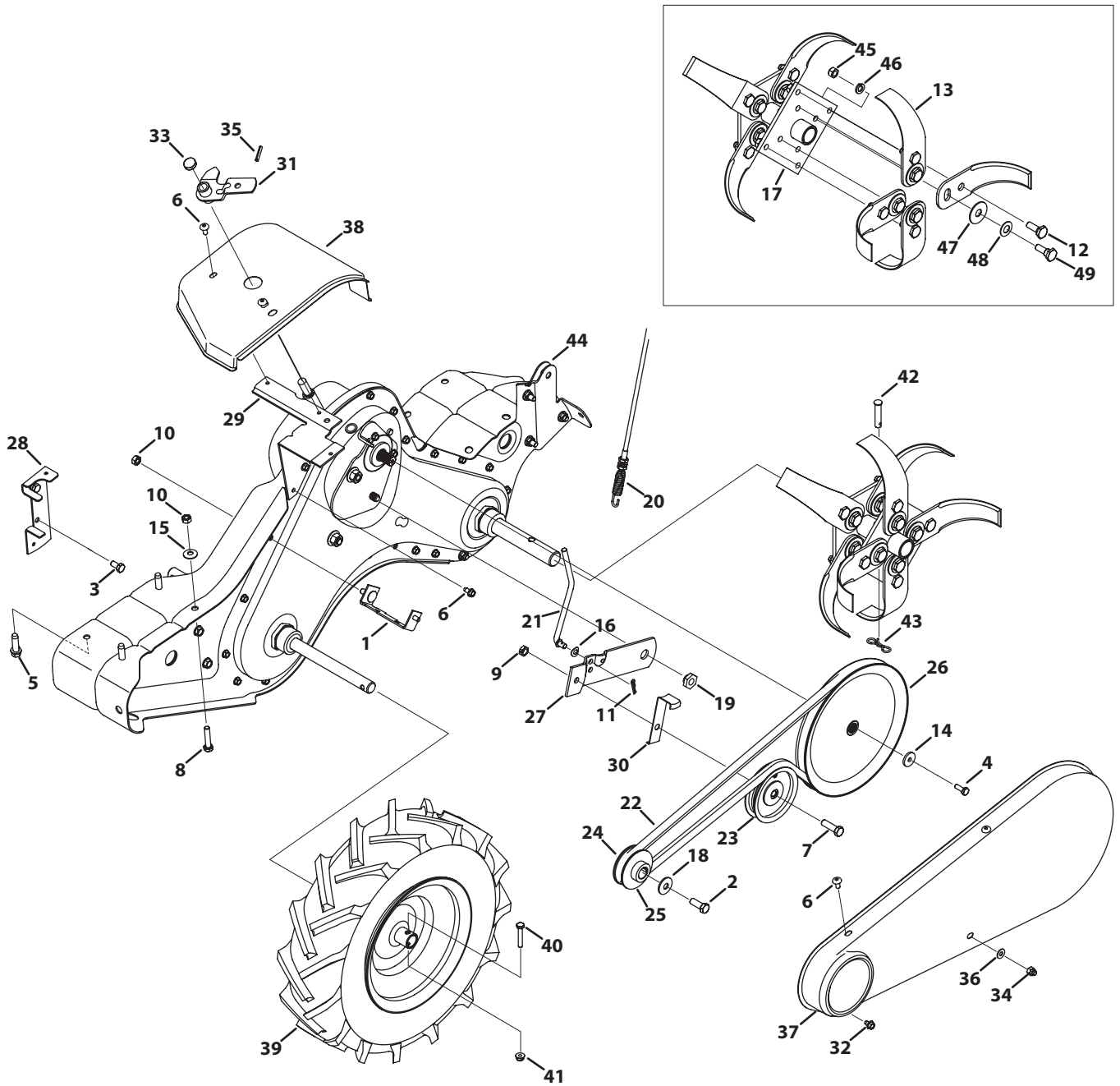
Model Series 450



Ref.	Part Number	Description
1	747-1152	Shaft Rod
2	649-0034	Lower Handle Tube Assembly
3	649-0041	Upper Handle Assembly
4	710-0946	Screw, 1/4-20 x 0.625
5	710-3005	Hex Head Screw, 3/8-16:1.25
6	710-3056	Hex Head Screw, 5/16-18 x 3.25
7	911-0415	Clevis Pin, .375 X 1.75
8	712-0324	Hexlock Nut, 1/4-20
9	712-0379	Flangelock Nut, 3/8-24
10	912-0429	Hexlock Nut, 5/16-18
11	714-0147	Cotter Pin, .125 X 1.75 INTERNAL
12	720-0210A	Small Tee Knob
13	720-0278A	Foam Grip, .970 x 11.0
14	720-0313	Grip, .1875 x 1.00
15	726-0273	Battery Clamp, 5/16
16	726-0317	Cable Tie, 8.5 LG
17	735-0246A	End Plug
18	936-0117	Washer, Flat, .385 x .620 x .033
19	736-0242	Washer, Bell, .340 x .872 x .060
20	736-3090	Washer, Flat, .260 x .720 x .060
21	938-0958	Spacer, Shoulder, .50 x .190 x .360 LG
22	747-1219	Clutch Bail
23	784-0190	Handle Adjustment Crank
24	784-0191	Hex Nut Retainer Bracket
25	786-0120	Tiller Depth Control
26	786-0181	Shaft Rod Lever
27	735-0127	Washer, Rubber, .33 ID x .87 OD x .125
28	914-0104	Cotter Pin, .072 x 1.12 LG
29	686-0044B	End Cover Assembly

Ref.	Part Number	Description
30	710-0176	Hex Head Screw, 5/16-18 x 2.75
31	710-3008	Hex Head Screw, 5/16-18 x .75
32	710-3022	Hex Head Screw, 3/8-16 x 2.75
33	710-04482	Hex Head Flange, 3/8-16 x .875
34	712-04063	Flangelock Nut, 5/16-18
35	712-04065	Flangelock Nut, 3/8-16
36	712-0421	Wing Nut, 5/16-18 W/ Bell Washer
37	926-0106	Speed Nut Cap, 1/4 ROD
38	736-0204	Washer, Flat, .344 x .62 x .033
39	938-0849	Screw, Hex, 5/16-18 x .75
40	747-0432	Tiller Flap Rod
41	750-0885A	Spacer, .322 x .625 x 2.00
42	786-0090A	Side Shield
43	786-0113A	Rear Tine Shield
44	786-0176	RH Handle Mount Bracket
45	786-0177	LH Handle Mount Bracket
46	786-0178A	Tine Shield
47	786-0179	FRT Tine Shield Bracket
48	786-0180	FRT Tine Shield Spacer Bracket
49	710-0382	Hex Head Screw, 1/2-13 x 5.00
	710-0506	Hex Head Screw, 1/2-13 x 5.50
50	912-0206	Hex Nut, 1/2-13
	912-3058	Hex Nut, 1/2-20
51	936-0326	Washer, 1/2 x 1.25 x .10
52	731-1595	Counterweight
53	936-0179	Washer, Flat, 1/2 x 1.25 x .100
54	710-0376	Hex Head Screw, 5/16-18 x 1.00
55	750-0194	Hub, .636 ID x 1.00 OD x .94

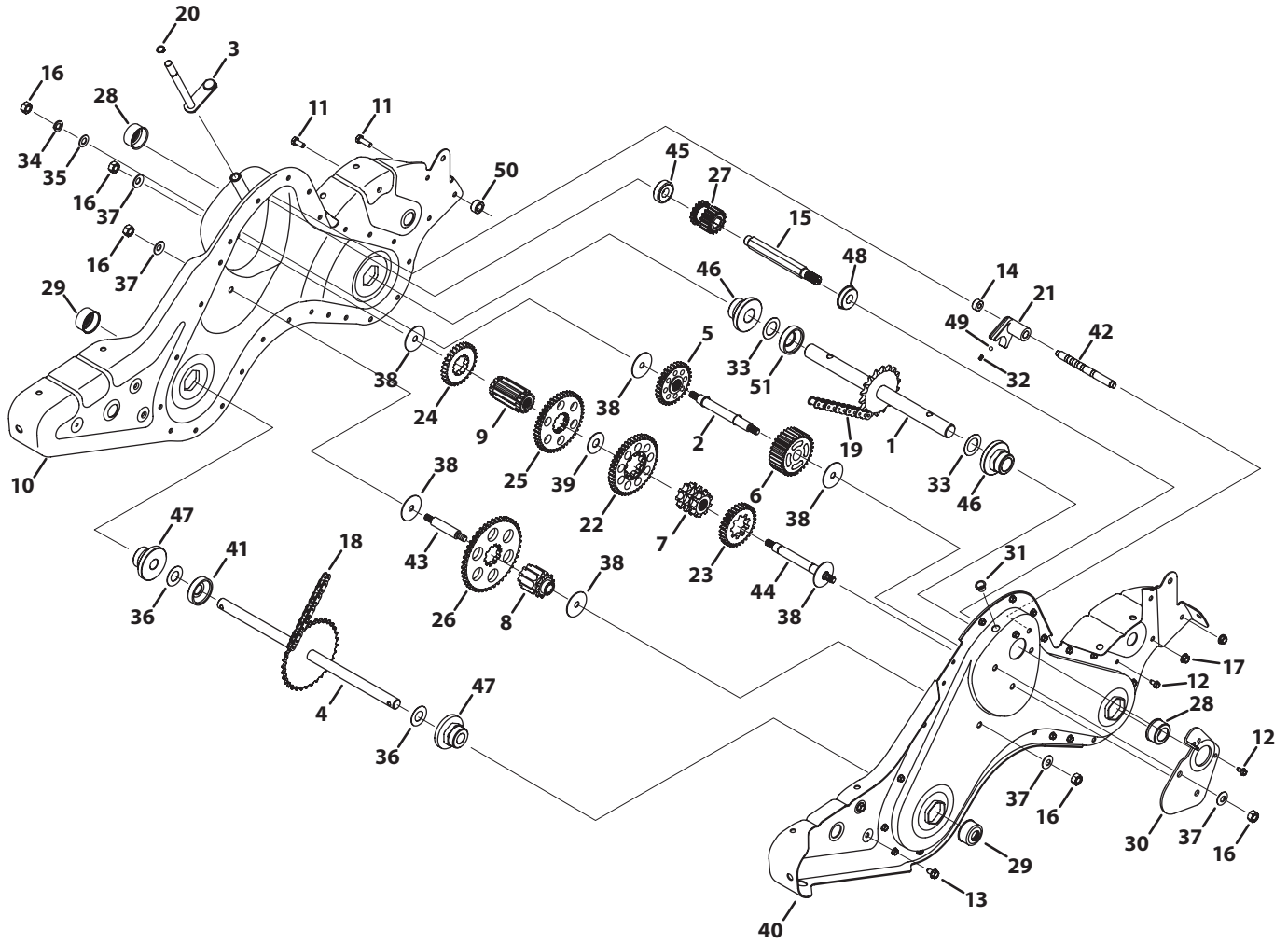
Model Series 450



Ref.	Part Number	Description
1	686-0111	Belt Cover Bracket Assembly
2	710-1039	Hex Head Screw, 3/8-24 x 1.00
3	710-0170	Hex Bolt, 5/16-24 x .625
4	710-0513	Hex Bolt, 1/4-28 x .75"
5	710-0502A	Screw, 3/8-16 x 1.250
6	710-1652	Hex Washer Screw
7	710-3005	Hex Head Screw, 3/8-16 x 1.25
8	710-0805	Hex Head Screw, 5/16-18 x 1.50
9	712-0266A	Jamlock Nut, 3/8-16
10	712-04063	Flangelock Nut, 5/16-18
11	914-0104	Cotter Pin, .072 DIA. x 1.13 LG
12	938-0689	Screw, Shoulder, 3/8-24 x 1/2 x .180
13	742-0305A	Articulating Tine
14	936-0176	Washer, Flat, .265 x .938 x .120
15	736-0242	Washer, Bell, .340 x .872 x .060
16	936-0271	Washer, Spring, .317 x .625 x .020
17	784-0160	Tine Adaptor Assembly
18	936-0452	Washer, Bell, .396 x 1.140 x .095
19	738-0876A	Shoulder Nut, 7/16-20
20	946-1117	Clutch Cable
21	747-1159	Idler Pulley Rod
22	954-0434	Belt, 4L x 58.16 LG
23	756-0405	Flat Idler Pulley w/ Flanges, 3.75 O.D.
24	756-0971	Engine Pulley, Inner Half
25	756-0972	Engine Pulley, Outer Half

Ref.	Part Number	Description
26	756-1162	Input Pulley, 4L x 8.594
27	786-0064A	Idler Pulley Bracket
28	786-0185A	Belt Keeper Bracket, B&S 6.5 HP
29	786-0187	Shift Cover Bracket
30	786-0193	Idler Belt Keeper
31	686-0109A	Shift Crank Assembly
32	710-0653	Screw, 1/4-20:0.375
33	731-07556	Cap
34	712-0392	Lock Nut, Cap, 1/4-28
35	715-0120	Spiral Pin, 3/16 x 1.00
36	936-3020	Washer, Flat, .271x .630 x .065
37	784-0158A	Belt Cover
38	784-0208D	Shift Cover
39	934-04231	Wheel, 16 x 4.6 x 8
	934-04233	Wheel, 14 x 4.5 x 6
40	710-05289	Hex Head Screw, 1/4-20 x 1.50
41	712-04064	Flangelock Nut, 1/4-20
42	911-0415	Clevis Pin, .375 x 1.75
43	714-04043	Cotter Pin, Bow-Tie
44	986-04074B	Complete Gear Case Assembly
45	712-3054	Hexlock Nut, 3/8-24
46	936-0169	Washer, Lock, 3/8
47	936-0208	Washer, Flat, .51 x 1.5 x 0.07
48	936-0253	Washer, Bell, .525 x 1.00 x .050
49	938-0688	Screw, Shoulder, 3/8-24 x 1/2 x .325

Model Series 450



Ref.	Part Number	Description
1	611-0021	Shaft Assembly, Tine, 18T
2	611-0128	Shaft Assembly, Jack
3	611-0129	Shaft Assembly, Shift Input
4	611-04074A	Shaft Assembly, Wheel, 33T
5	617-0058	Gear Assembly, 30T Reverse Idler
6	617-0059	Gear Assembly, 30T Tine Idler
7	617-0060	Sprocket Assembly, 9T Tine Input
8	617-0061	Sprocket Assembly, 10T Whl Input
9	617-0062	Gear Assembly, 11T
10	686-0108A	RH Chain Case Housing Assembly
11	710-0376	Hex Head Screw, 5/16-18 x 1.00
12	710-1652	Screw, 1/4-20 x 0.625
13	710-04484	Screw, :5/16-18 x 0.75
14	750-0664	Spacer, .505 ID x .88 OD x .440
15	711-1349A	Input Shaft, .75
16	712-0378	Nut, Hex, 7/16-20
17	712-04063	Nut, Flangelock, 5/16-18
18	913-0367	Endless Chain, #420 x 50 Links
19	913-0484	Endless Chain, #50 x 54 Links
20	716-0865	Snap Ring, .500
21	717-0853A	Clutch Collar
22	717-1582A	Gear Spur, 44T
23	717-1583	Gear Spur, 30T
24	717-1584	Gear Spur, 30T
25	717-1585	Gear Spur, 44T
26	717-1587	Gear Spur, 44T

Ref.	Part Number	Description
27	717-1594	Gear Spur, 16T
28	921-0378	Shaft Seal, 1.0
29	721-0379	Shaft Seal, .75
30	786-0238	Positioner Gear Bracket
31	726-0277	Tapered Cap Plug
32	732-04778	Compression Spring, .230 OD
33	936-0163	Washer, Flat, 1.03 x 1.62 x .03
34	936-0171	Washer, Lock, 7/16
35	936-0226	Washer, Flat,.474 x .879 x .064
36	936-0351	Washer, Flat, .760 ID x 1.50 OD
37	736-0407	Washer, Bell,.45 x 1.00 x .062
38	736-0518	Washer, Thrust, .445 x 1.92 x .060
39	736-3088	Washer, Flat,1.595 x .635 x .062
40	686-04129	LH Chain Case Housing
41	950-0671	Spacer, .75 x 2.0 x .50
42	738-0645	Shaft Detent, .5 DIA
43	738-0648	Shaft, Jack, .625 x 2.385
44	738-04424A	Shaft, Jack, .6250 x 5.0050
45	941-0600	Ball Bearing, 17 x 40 x 12:6203
46	941-0420	Flange Bearing, 1.0 x 2.5 x 1.38
47	741-0421	Flange Bearing, .75 x 2.5 x 1.38
48	941-0563	Ball Bearing, 17 x 40 x 12:6203
49	741-0862	Ball, Detent, .250
50	750-0258	Spacer, .315 x .750 x .375 LG
51	950-0570	Spacer, 1.0 ID x 2.0 OD x .5 LG