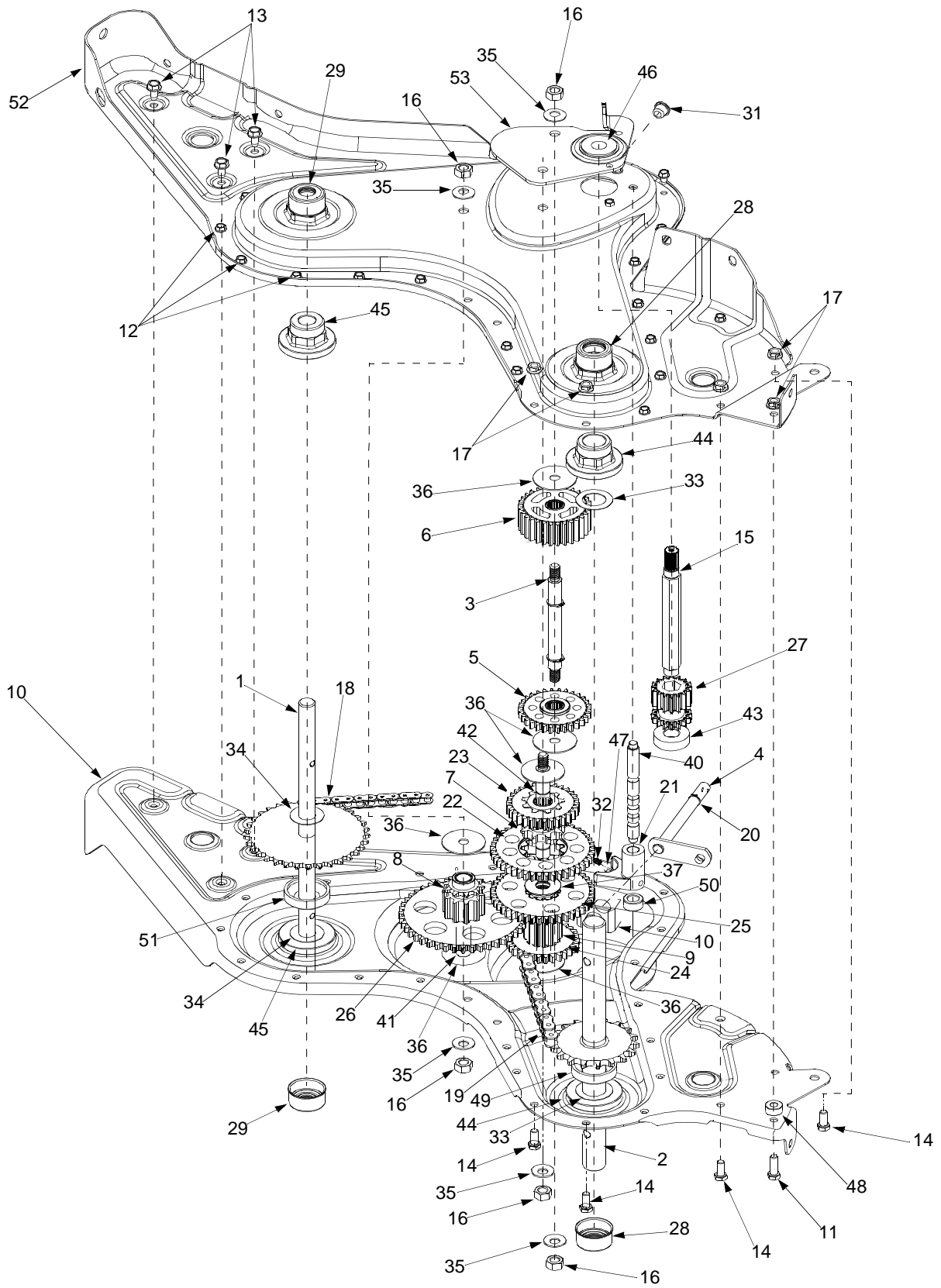


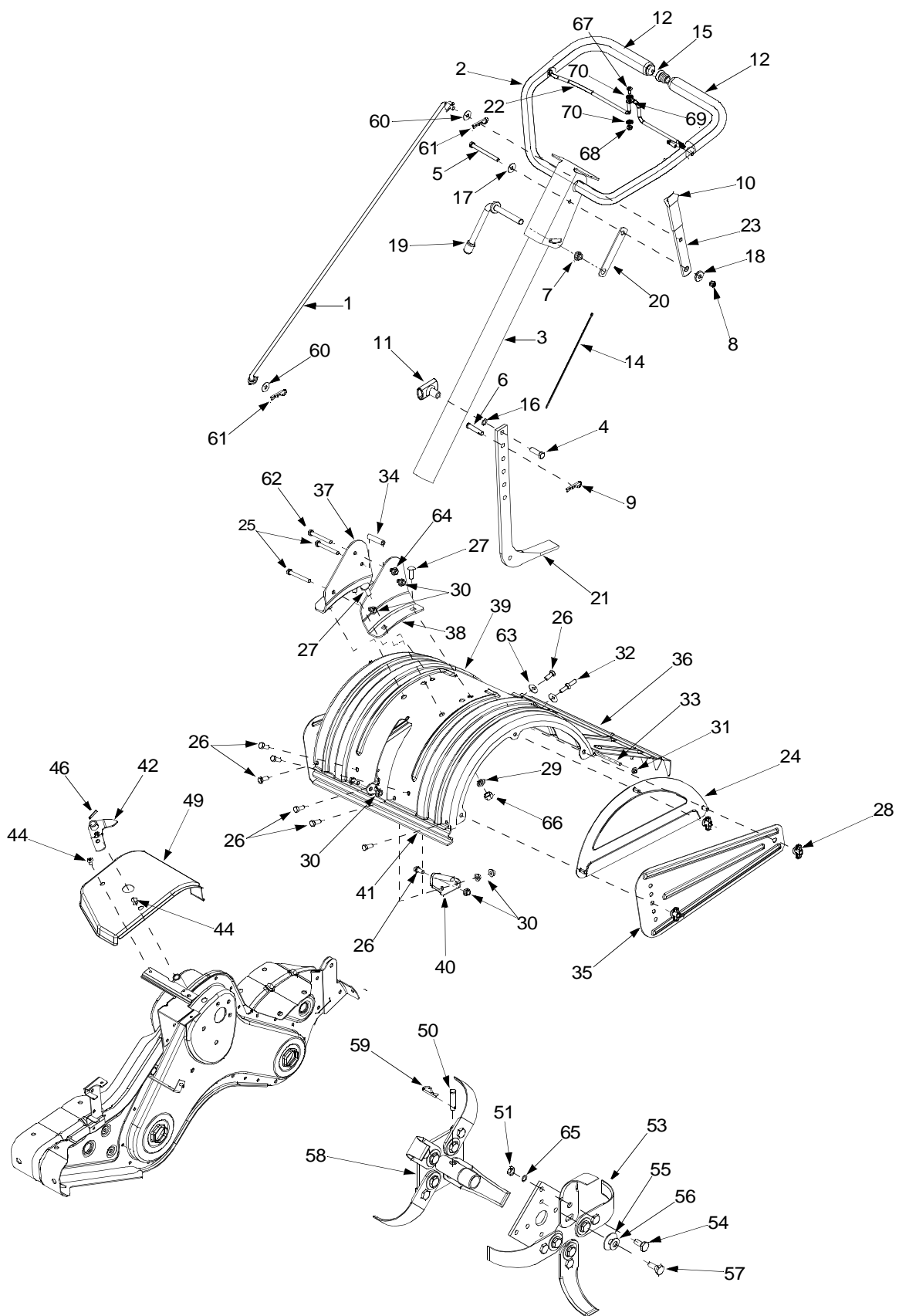
# Model Series 450



# Model Series 450

Ref. No.	Part No.	Part Description	Ref. No.	Part No.	Part Description
1.	611-0020	Wheel Shaft Ass'y 33T	27.	717-1594	Spur Gear 16T
2.	611-0021	Tine Shaft Ass'y: 18T	28.	721-0378	Seal 1.0 Shaft
3.	611-0128	Jack Shaft Ass'y	29.	721-0379	Seal .75 Shaft
4.	611-0129	Input Shaft Ass'y	31.	726-0277	Taper Cap Ring
5.	617-0058	Rev. Idler Gear Ass'y: 30T	32.	732-0496	Compression Spring .50" Lg.
6.	617-0059	Ftine Idler Gear Ass'y: 30T	33.	736-0163	Thrust Wash. 1.03" I.D. x 1.62"
7.	617-0060	Tine Input Sprocket Ass'y: 9T	34.	736-0351	FI-Wash .76" I.D. x 1.5" O.D.
8.	617-0061	Wheel Input Sprocket Ass'y: 10T	35.	736-0407	Bell-Wash .45" I.D. x 1.0"
9.	617-0062	Gear Ass'y: 11T	36.	736-0518	Thrust Wash. .445 x 1.92 x .060
10.	686-0108	R.H. Housing Ass'y	37.	736-3088	FI-Wash. .635" I.D. x 1.59 O.D.
11.	710-0376	Hex Bolt 5/16-18 x 1" Lg.	40.	738-0645	Detent Shaft 1/2" Dia.
12.	710-0599	Hex S-Tap Scr. 1/4- 20 x .5"	41.	738-0648	Jack Shaft .625 x 2.385
13.	710-0604A	Hex S-Tap Scr. 5/16-18 x .625"	42.	738-1013	Jack Shaft .625 x 5.0
14.	710-3008	Hex Bolt 5/16-18 x .75"	43.	741-0124	Ball Bearing
15.	711-1349	Input Shaft	44.	741-0420	Flange Bearing 1.0 x 2.5 x 1.38
16.	712-0378	Hex Nut 7/16-20	45.	741-0421	Flange Bearing .75 x 2.5 x 1.38
17.	712-3004A	Flange Nut 5/16-18	46.	741-0563	Ball Bearing . 6692 x 5745 x .466
18.	713-0367	#420 Chain 1/2 Pitch x 50 Links	47.	741-0862	Detent Ball .250
19.	713-0484	#50 Chain 5/8 Pitch x 54 Links	48.	750-0258	Spacer .315
20.	716-0865	Snap Ring	49.	750-0570	Spacer 1.0 I.D x 2.0 O.D. x .440
21.	717-0853	Shifting Fork	50.	750-0664	Spacer .505 I.D. x .88 O.D. x .440
22.	717-1582	Spur Gear 44T	51.	750-0671	Spacer .75 x 2.0 x .50
23.	717-1583	Spur Gear 30T	52.	786-0171	L.H. Chain Case Ass'y
24.	717-1584	Spur Gear 30T	53.	786-0238	Gear Positioner Bracket
25.	717-1585	Spur Gear 44T		686-0107	Gear Case Assembly Complete
26.	717-1587	Spur Gear 44T			

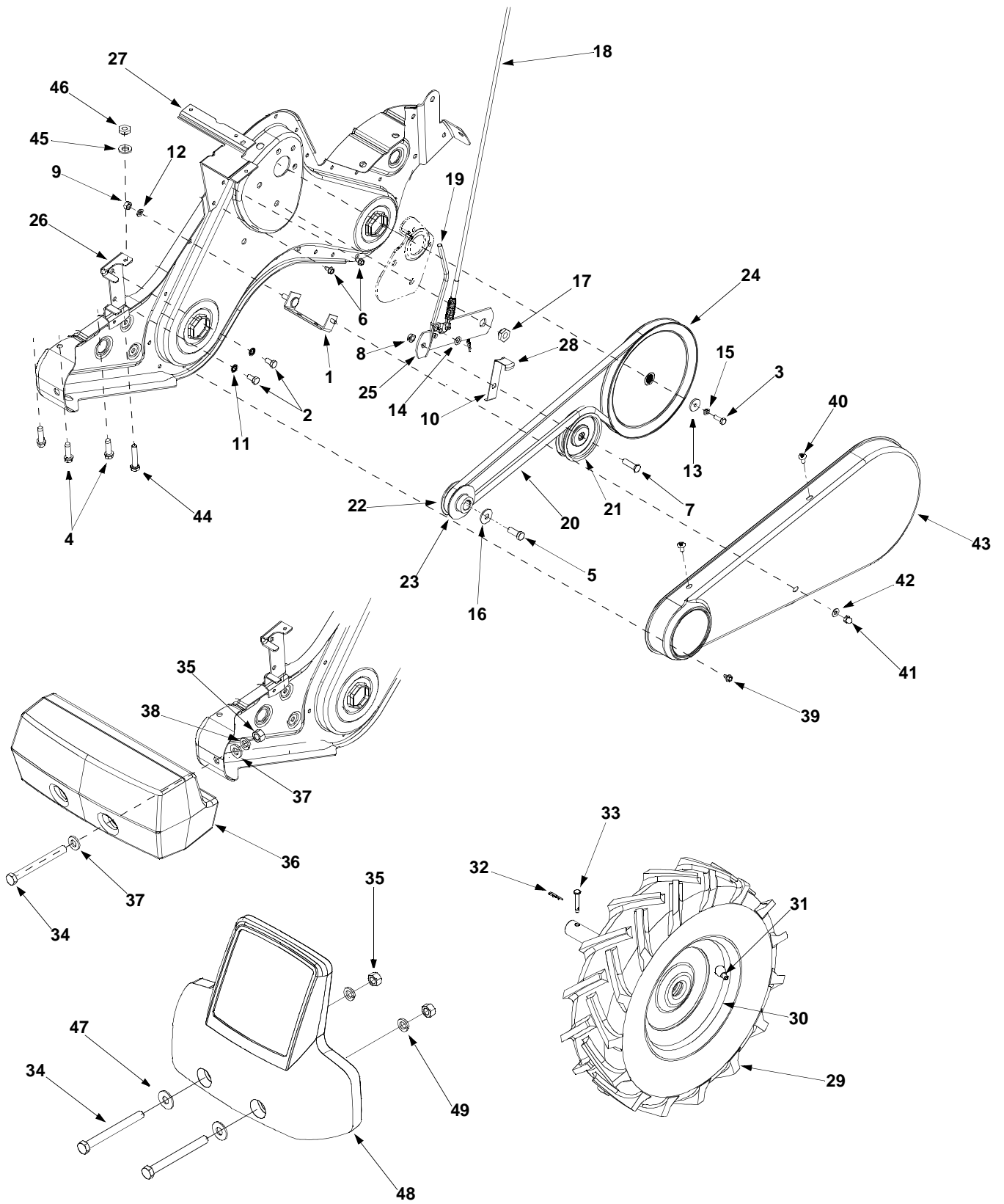
# Model Series 450



# Model Series 450

Ref. No.	Part No.	Part Description	Ref. No.	Part No.	Part Description
1.	747-1152	Shift Rod	34.	750-0885	Spacer .435 OD x .322 ID
2.	649-0041	Upper Handle Ass'y	35.	786-0090	Shoulder
3.	649-0034	Lower Handle Ass'y	36.	786-0113	Tine Shield Hinge Flap
4.	710-3005	Hex Screw 3/8-16 x 1.25	37.	786-0176	RH Handle Bracket
5.	710-3056	Hex Screw 5/16-18 x 3.25	38.	786-0177	LH Handle Bracket
6.	711-0415	Clevis Pin 3/8-1.62	39.	786-0178	Tine Shield
7.	712-0379	Flange Lock Nut 3/8-24	40.	786-0179	Tine Shield Bracket
8.	712-0429	Hex Lock Nut 5/16-18	41.	786-0180	Shoulder Spacer Bracket
9.	714-0147	Cotter Pin	42.	686-0109	Shift Crank Ass'y
10.	720-0313	Grip	44.	710-1017	Screw 1/4-14 x .625
11.	720-0210A	T-Knob	46.	715-0120	Spiral Pin 3/16 x 1.0
12.	720-0278A	Foam Grip	49.	784-0208C	Shift Cover
14.	726-0317	Cable Tie	50.	711-0415	Clevis Pin
15.	735-0246	Plug	51.	712-3054	Hex Nut 3/8-24
16.	736-0117	Flat Washer 3/8 ID x .620 OD	53.	742-0305	13" Articulating Tine
17.	736-0242	Bell Washer .340 ID x .872 OD	54.	738-0689	Shoulder Bolt
18.	738-0958	Shoulder Spacer	55.	736-0208	Flat Washer .51" ID x 1.50" OD
19.	784-0190	Handle Adjustment Crank	56.	736-0253	Bell Washer .515" ID x 1.14" OD
20.	784-0191	Hex Nut Retainer Bracket	57.	738-0688	Shoulder Bolt
21.	786-0120	Depth Stake	58.	784-0160	Tine Adapter Ass'y
22.	747-1219	Bail Clutch	59.	714-0149B	Internal Cotter Pin
23.	786-0181	Shift Lever Rod	60.	735-0127	Rubber Washer
24.	686-0044A	Tine Shield Cover Ass'y	61.	714-0104	Cotter Pin
25.	710-0176	Hex Cap Screw 5/16-18 x 2.75	62.	710-3022	Hex Screw 3/8-16 x 2.75"
26.	710-3008	Hex Cap Screw 5/16-18 x .750	63.	736-0204	Flat Washer
27.	710-3097	Carriage Bolt 3/8-16 x 1.0	64.	712-0431	Flange Nut .344 ID x .62 OD
28.	712-0421	Wing Nut	65.	736-0169	Lock Washer
29.	736-0169	Lock Washer 3/8	66.	712-0798	Hex Nut 3/8-16
30.	712-3004A	Flange Nut 5/16-18	67.	710-0946	Truss Screw 1/4-20 x .65
31.	726-0106	Cap Nut	68.	712-0324	Hex Lock Nut 1/4-20
32.	738-0849	Hex Screw 5/16-18 x .75"	69.	726-0273	Battery Hose Clamp 5/16
33.	747-0432	Rod	70.	736-3090	Flat Washer .260 ID x .720 OD

# Model Series 450



# Model Series 450

Ref. No.	Part No.	Part Description	Ref. No.	Part No.	Part Description
1.	686-0111	Belt Cover Bracket Ass'y	28.	786-0193	Idler Belt Keeper
2.	710-0237	Hex Bolt 5/16-24 x .62"	29.	634-0110	Wheel Assembly RH 14.0 x 4.5 †
3.	710-0412	Hex Bolt 1/4-28 x .75"		634-0106	Wheel Assembly RH 16.0 x 4.6 ††
4.	710-0502A	Hex Washer Screw 3/8-16 x 1.25"		634-0111	Wheel Assembly LH 14.0 x 4.5 †
5.	710-0591	Hex Bolt 3/8-24 x 1.0		634-0107	Wheel Assembly LH 16.0 x 4.6 † †
6.	710-0599	Hex Washer Screw		734-1796	Tire Only 14.0 x 4.5 †
7.	710-0723	Hex Cap Screw 3/8-16 x 1.25		734-0808	Tire Only 16.2 x 4.6 ††
8.	712-0266	Lock Jam Nut 3/8-16	30.	634-0112	Wheel Rim Assembly †
9.	712-0267	Hex Nut 5/16-18		634-0108	Wheel Rim Assembly ††
10.	714-0104	Internal Cotter Pin	31.	734-0255	Air Valve
11.	736-0104	Hairpin Clip	32.	711-1017	Clevis Pin
12.	736-0119	Lock Washer 5/16"	33.	714-0104	Internal Cotter Pin
13.	736-0176	Flat Washer .25 ID x .93 OD	34.	710-0382	Hex Bolt 1/2-13 x 5.0
14.	736-0271	Spring Washer .317 ID x .625 OD	35.	712-0206	Hex Nut 1/2-13
15.	736-0329	Lock Washer 1/4" ID	36.	723-0381	Counterweight
16.	736-0452	Bell Washer .396 ID x 1.14 OD	37.	736-0326	Flat Washer .510 ID x 1.0 OD
17.	738-0876	Shoulder Nut 7/16-20	38.	736-0921	Lock Washer 1/2
18.	746-1117	Clutch Cable	39.	710-0653	Hex Screw 1/4-20 x .375
19.	747-1159	Idler Pulley Rod	40.	710-1017	Screw 1/4-14 x .625
20.	754-0434	V-Belt	41.	712-0392	Lock Nut
21.	756-0405	Flat Idler w/Flange 3.75 OD	42.	736-0463	Flat Washer .250 ID x .620 OD
22.	756-0971	Outer Engine Pulley Half	43.	784-0158A	Belt Cover
23.	756-0972	Inner Engine Pulley Half	44.	710-0805	Hex Bolt 5/16-18 x 1.5
24.	756-1162	Input Pulley	45.	736-0242	Bell Washer .340 ID x .872 OD
25.	786-0064A	Idler Bracket	46.	712-3010	Hex Nut 5/16-18
26.	785-0185	Belt Keeper Bracket †	47.	736-0179	Flat Washer .50 ID x 1.25 OD
	786-0186	Belt Keeper Bracket † †	48.	731-1595	Counterweight
27.	786-0187	Shift Cover Bracket	49.	736-0921	Lock Washer .50

† Model Series 453

† † Model Series 454

**NOTE:** For **painted parts**, please refer to the list of color codes below. Please add the applicable color code, wherever needed, to the part number to order a replacement part. For instance, if a part numbered 700-xxxx is painted Oyster Gray, the part number to order would be 700-xxxx-0662.

Black — 0691; Black, Powder — 0637; Blue, Midnight — 0667; Charcoal — 0483; Grey — 0648;

Grey, Oyster — 0662; Orange — 0606; Red — 0650; Red, MTD — 0638; Silver — 0629; Yellow — 0674.