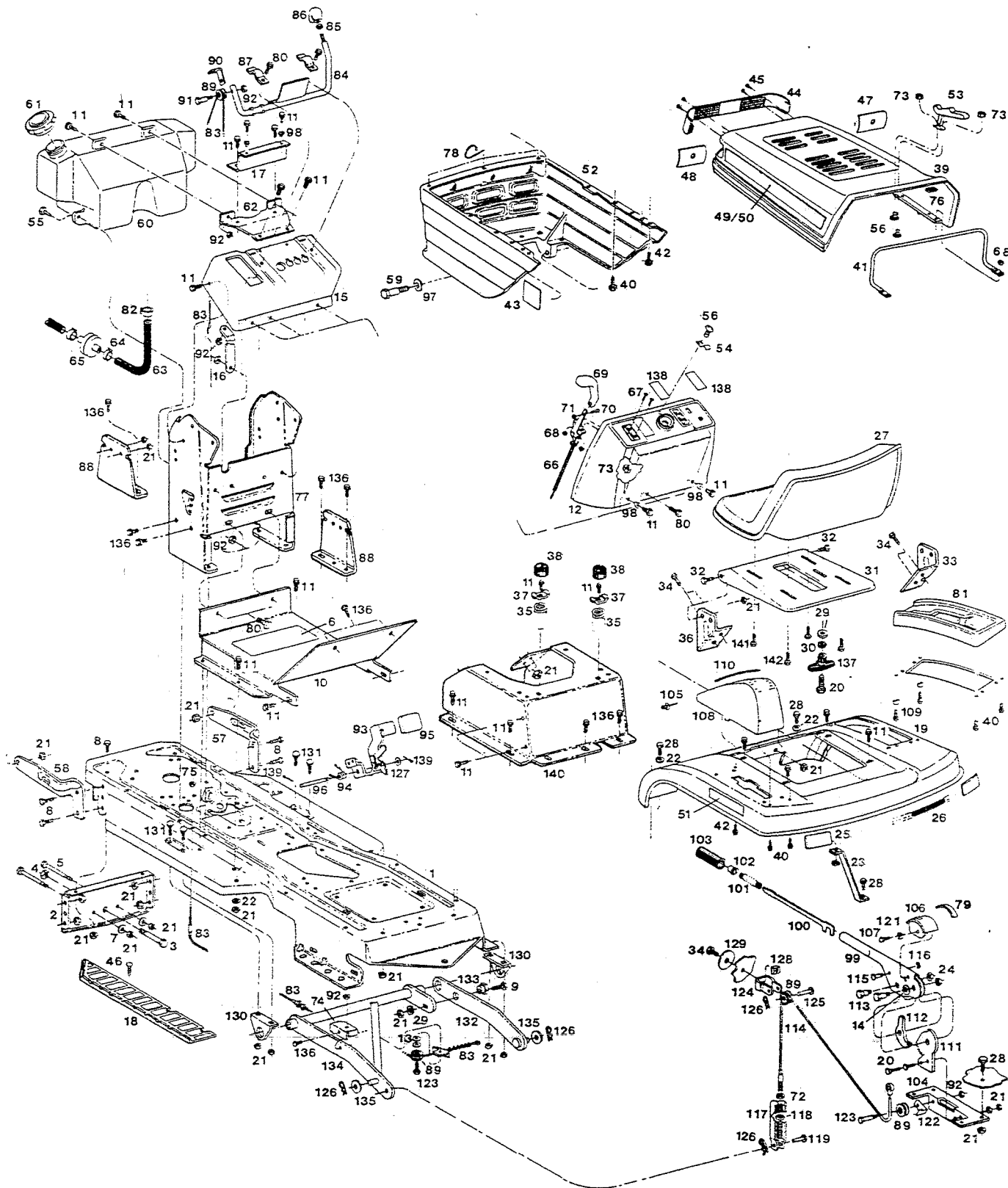


## MODEL 455 ELECTRICAL SYSTEM

Index No.	Part No.	Description	Index No.	Part No.	Description
1	138735	Battery - 12 volt, dry	18	134940	Solenoid - starter
2	134908	Wire - battery ground, black	19	158121	Bolt - hex 1/4-20 x 3/4
3	449587	Bolt - hex 1/4-20 x 5/8	20	616375	Nut - hex 1/4-20
4	715037	Nut - hex 1/4-20 keps	21	110379	Tie - cable
5	138991	Harness - wiring	22	157974	Nut - hex 5/16-24
6	112326	Retainer - harness	23	152975	Washer - lock 5/16 ext tooth
7	136945	Harness - headlights	24	310151	Nut - hex 5/16-18 nylok
8	134676	Retainer - harness, press-on	25	153510	Washer - lock 5/16 int tooth
9	135533	Bulb - headlights	26		Fuse - 15 amp (purchase locally)
10	135814	Switch - headlights	27	152108	Bolt - hex 5/16-18 x 1
11	615690	Washer - flat 1/4	28	114942	Bushing - wire insulator
12	138985	Switch - seat	29	158717	Nut - switch
13	135798	Switch - ignition w/o keys	30	136242	Key - ignition
14	138925	Switch - clutch interlock	31	112698	Boot - ignition switch
15	157933	Screw - pan head #12	32	096123	Bracket - battery hold-down
16	135822	Switch - no start	33	096115	Rod - battery hold-down
17	138750	Switch - system interlock	34	452615	Nut - hex 1/4-20 nylok

S/N 237592  
P/L 082782  
O/M 082783

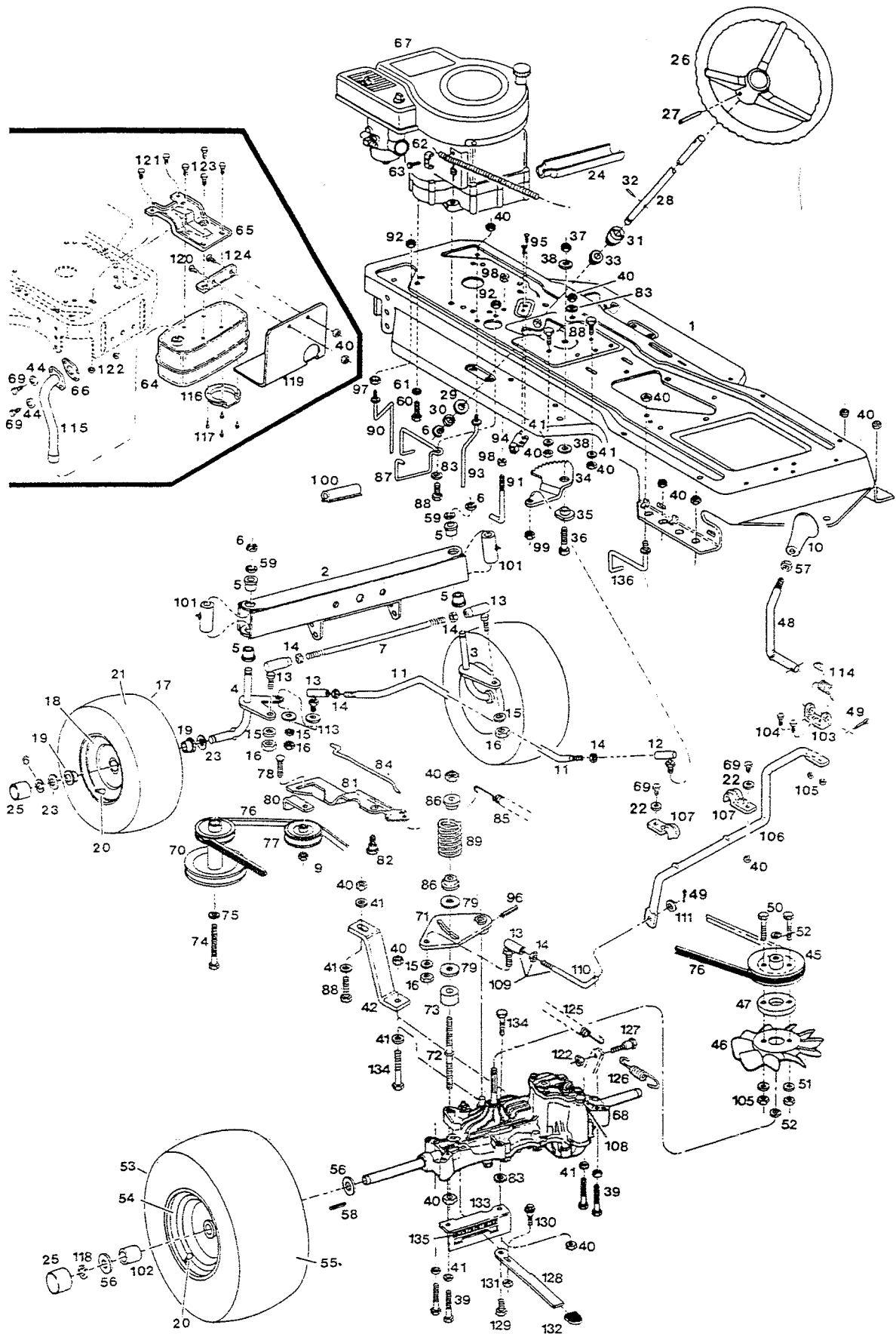


S/N 237592  
P/L 082782  
O/M 082783

## MODEL 455 MAIN FRAME

Index No.	Part No.	Description	Index No.	Part No.	Description
1	023341	Frame - main	74	174128	Bracket - cable pulley
2	019240	Bracket - front axle	75	159426	Nut - hex jam 1/4-28
3	380303	Bolt - hex shoulder 1/2-13 x 2-5/8	76	446799	Pad - hood
4	380311	Nut - hex jam 1/2-13 top lock	77	023810	Support - dash
5	164699	Bolt - shoulder 5/16-18 x 2-7/8	78	110379	Strap - tie
6	009589	Decal - DANGER on console	79	008433	Decal - height indicator numbers
7	462762	Washer - flat 5/16	80	158097	Screw - taptite 1/4-20 x 5/8
8	157636	Bolt - hex 5/16-18 x 3/4 whiz	81	095288	Guide - shift lever
9	156968	Bolt - hex 5/16-18 x 1-1/4	82	162404	Clamp - fuel line
10	023806	Console - chassis	83	053109	Cable - blade drive control Includes 13, 74, 89, 92 & 123
11	158089	Screw - taptite 1/4-20 x 1/2	84	098848	Lever - blade drive control
12	115510	Dash - plastic	85	615625	Nut - hex jam 1/2-13
13	158956	Washer - 1/4 special	86	112664	Knob - lever
14	159343	Washer - flat 1/2	87	097253	Clip - lever retaining
15	013763	Support - dash	88	023809	Bracket - dash
16	013771	Brace - dash	89	092429	Pulley - cable
17	013789	Brace - dash & fuel tank	90	096305	Retainer - cable
18	114769	Pad - foot, L.H. platform	91	157446	Bolt - shoulder 1/4-20 x 1-3/8
	114751	Pad - foot, R.H. platform (not shown)	92	452615	Nut - hex 1/4-20 nylon
19	023811	Fender - rear wheels	93	093815	Pedal - clutch/brake w/brake lever
20	152108	Bolt - hex 5/16-18 x 1	94	100008	Spring - pedal return
21	310151	Nut - hex 5/16-18 nylon	95	112235	Pad - pedal
22	158469	Washer - flat	96	087668	Shaft - pedal
23	013797	Brace - fender L.H.	97	715417	Washer - flat 3/8
24	157610	Nut - hex 5/16-18 flanged	98	381822	Bushing - nylon w/shoulder
25	114850	Reflector - fender, red	99	022665	Lever - height adjusting
26	112300	Strip - fender trim	100	172403	Rod - lever
27	115512	Seat	101	097295	Spring - lever
28	450346	Bolt - hex 5/16-18 x 3/4	102	112672	Knob - adjusting lever
29	715185	Washer - flat 5/16	103	112680	Grip - lever
30	311118	Washer - lock 5/16	104	014134	Bracket - adjusting lever
31	023813	Plate - seat mount	105	715243	Rivet - pop
32	157503	Bolt - hex shoulder, 5/16-18 x 5/32	106	113316	Indicator - height of cut
33	023807	Bracket - seat plate RH	107	158527	Screw 8-32 x 3/8
34	450437	Bolt - hex 5/16-18 x 5/8	108	113290	Cover - height adjust lever
35	095503	Spring - seat	109	158840	Screw - taptite 10-24 x 3/4
36	023808	Bracket - seat LH	110	008425	Decal - cover
37	095174	Clamp - seat spring	111	098459	Quadrant - height adjust
38	112334	Cover - seat spring	112	098467	Pawl - height adjust
39	114959	Hood - upper	113	158675	Bolt - shoulder 5/16-18 x 5/8
40	158832	Screw - taptite 10-24 x 1/2	114	052266	Cable - deck lifting
41	098343	Support - hood	115	097337	Pin - clevis
42	159400	Screw #10-24 x 1	116	158857	E Ring
43	006874	Decal - heat reflective	117	159137	Clevis - lift cable
44	112565	Lens - headlights	118	157966	Nut - square 1/4-20
45	158865	Screw - taptite 6 x 1/2	119	157263	Pin - clevis
46	113738	Fastener - foot pad	121	715136	Washer - flat #10
47	797696	Reflector - headlight R.H.	122	097352	Retainer - cable
48	797704	Reflector - headlight L.H.	123	158683	Bolt - shoulder 1/4-20 x 1
49	799900	Decal - hood side L.H.	124	097279	Clevis - pulley, fender
50	799899	Decal - hood side R.H.	125	097287	Pin - clevis
51	799918	Decal - 14.5-40	126	715011	Hairpin cotter
52	113183	Hood - lower	127	158873	Washer - flat 1/2
53	115139	Latch - hood	128	158923	Nut - square 5/16-18
54	115147	Keeper - hood latch	129	014142	Washer - formed
55	166750	Screw - plastite 1/4 x 3/4	130	013813	Bracket - hanger
56	459925	Screw - phil head #8-32 x 3/8	131	313502	Bolt - rd. head 5/16-18 x 1
57	093989	Bracket - lower hood R.H.	132	019976	Link - suspension R.H.
58	093997	Bracket - lower hood L.H.	133	158691	Nut - eccentric, deck leveling
59	162057	Bolt - shoulder 5/16-18	134	022418	Suspension Assembly - lift
60	115533	Tank - fuel, 3 gal.	135	156075	Washer - flat 1/2
61	115473	Cap - fuel tank	136	159228	Screw - tapping 5/16-18 x 3/4
62	015305	Bracket - fuel tank	137	113589	Knob - locking, seat
63	673152	Hose - fuel line	138	798843	Decal - dash
64	303859	Clamp - fuel line	139	317016	Pin - cotter
65	432625	Filter - fuel	140	023812	Support - fender/seat
66	052506	Control - throttle w/cable	141	382922	Bolt - shoulder large
67	158451	Screw - pan hd. 10-24 x 5/8	142	382923	Bolt - shoulder small
68	452318	Nut - hex 10-24 nylon	--	392043	Kit-hitch extension
69	112730	Knob - throttle lever	--	115303	Cover - vinyl (optional)
70	159335	Screw - pan head 8-32 x 3/8	--	799916	Decal - seat adjust
71	159244	Nut - hex 8-32			
72	310052	Nut - hex 1/4-20			
73	452102	Nut - hex keps #8-32			

S/N 237592  
P/L 082782  
O/M 082783



S/N 237592  
 P/L 082782  
 O/M 082783

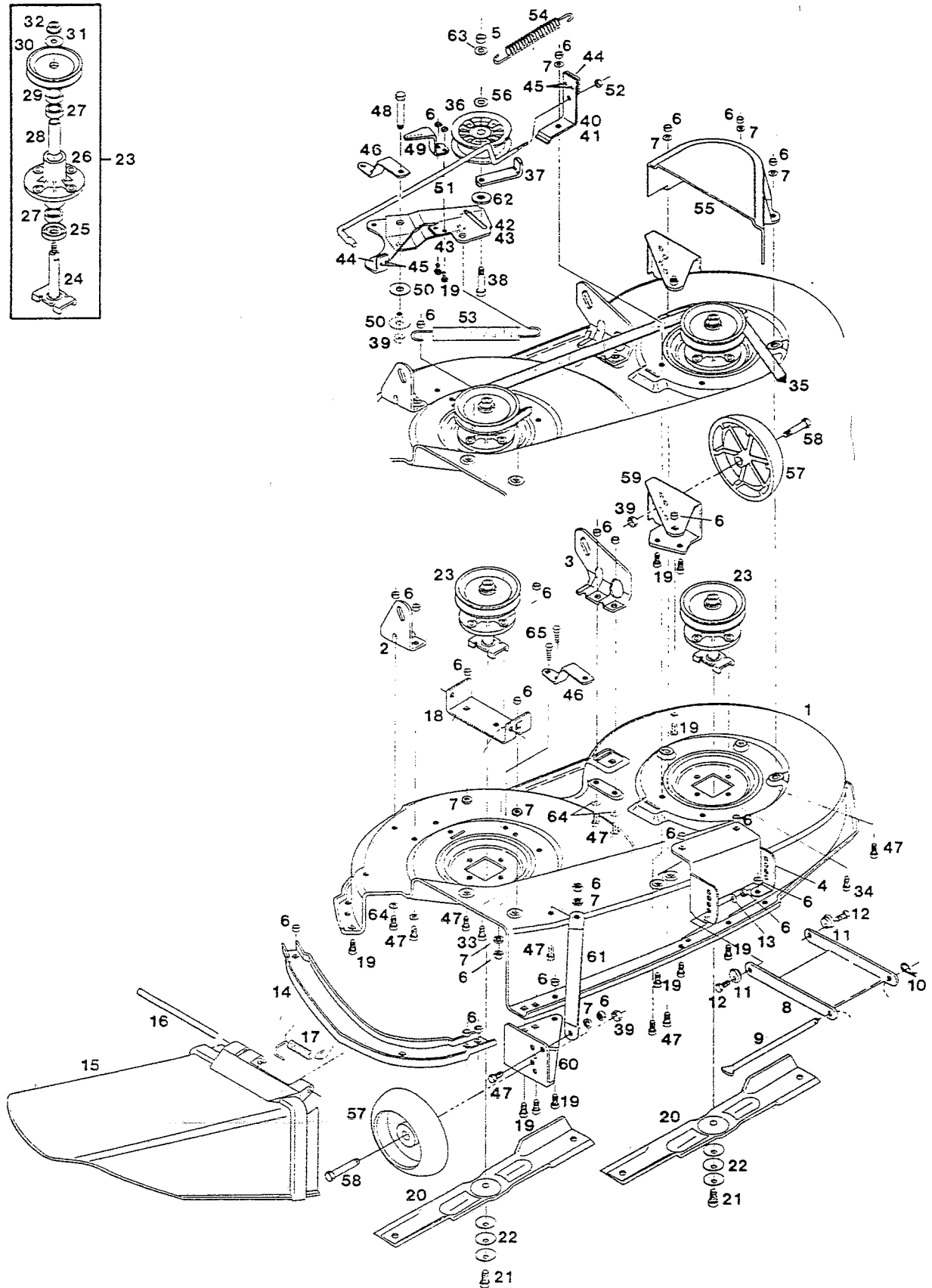
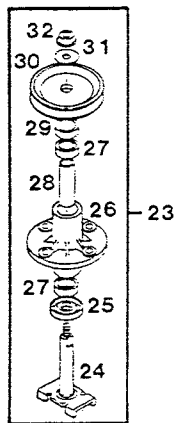
## MODEL 455 CHASSIS GROUP

Index No.	Part No.	Description	Index No.	Part No.	Description
1	023341	Frame - main	71	095377	Plate - pivot
2	016907	Axle - front	72	166637	Stud - pivot plate
3	018895	Spindle - steering R.H.	73	095367	Spacer - pivot plate
4	018903	Spindle - steering L.H.	74	158964	Bolt - hex 7/16-20 x 5
5	134999	Bearing - spindle	75	311068	Washer - lock 7/16
6	316513	Ring - retainer	76	171215	Belt - drive
-	095877	Tie Rod Assembly - includes 7, 13 & 14	77	109645	Pulley - idler
7	098442	Rod - tie, steering	78	158444	Bolt - carriage 3/8-16 x 2
9	451195	Nut - hex 3/8-16 nylok	79	150755	Washer - fibre
10	112664	Knob-shift lever	80	015198	Retainer - belt
	089540	Drag Link Assembly (includes 11, 12, 13 and 14)	81	015875	Arm - idler
11	089425	Link - drag, steering	82	159129	Bolt - shoulder 5/16-18 x 11/16
12	135244	Joint - ball, sector end	83	158212	Washer - flat
13	135038	Joint - ball, axle end	84	095794	Rod - clutch
14	158105	Nut - hex jam 3/8-24	85	135228	Spring - clutch
15	150185	Washer - lock 3/8	86	095366	Washer - stepped
16	615633	Nut - hex 3/8-24	87	097261	Guide - belt
17	043195	Wheel - front, w/tire & rim	88	152108	Bolt - hex 5/16-18 x 1
18	043204	Rim - front tire	89	135632	Spring - friction pressure
19	094908	Bearing - wheel	90	097790	Guide - belt
20	136291	Stem - valve	91	087791	Rod - stop, mower deck
21	042895	Tire - front 15 x 6.00 tubeless	92	159145	Nut - hex jam 5/16-18
22	158337	Washer - flat 3/8	93	097808	Guide - belt
23	158063	Washer - flat 3/4	94	138925	Switch - clutch interlock
24	112805	Trough - engine oil drain	95	157933	Screw - pan head #12
25	112417	Cap - hub	96	166635	Pin - roll
26	112771	Wheel - steering	97	150136	Nut - hex keps 5/16-18
27	159434	Pin - roll 1/4 x 2	98	451500	Nut - hex keps 3/8-16
28	095844	Shaft - steering	99	162420	Nut - hex 3/8 - 24 flange
29	159376	Washer - flat special	100	113381	Sleeve - split, belt guide
30	158162	Washer - flat 3/4	101	391748	Sleeve w/grease fitting (order 391755 kit)
31	109801	Pinion - steering	102	095369	Spacer - rear wheel
32	158766	Pin - dowel 1/4 x 1-3/4	103	179424	Bracket - shift lever
33	136275	Bushing - steering pinion	104	159004	Bolt - hex 1/4-20 x 3/4
34	109850	Sector - steering	105	452615	Nut - hex 1/4-20 nylok
35	134742	Eccentric - steering adjust	106	095359	Lever - shift - lower
36	158147	Bolt - hex 1/2-13 x 1-1/2	107	179119	Clip - retainer, lower lever
37	382473	Nut - hex 1/2-13 nylok	108	166636	Plug - metric
38	158170	Washer - flat	109	095357	Link - shift, with ball joint (includes 13, 14 and 110)
39	158154	Bolt - hex 5/16-18 x 2-3/4	110	095358	Link - shift
40	310151	Nut - hex 5/16-18 nylok	111	159921	Washer
41	715185	Washer - flat 5/16	113	715417	Washer - flat 3/8
42	023800	Brace - transaxle	114	179408	Spring - torsion, shift lever
43	159228	Bolt - hex tap 5/16-18 x 3/4	115	094003	Pipe - exhaust
44	311118	Washer - lock 5/16	116	086017	Deflector - exhaust
45	095370	Pulley - transmission	117	158527	Screw - taptite #8-32 x 3/8
46	115493	Fan - cooling, transmission	118	616258	Ring - retainer, wheel
47	095376	Spacer - fan/pulley	119	023673	Shield - heat
48	089201	Lever - gear shift, upper	120	158907	Bolt - carriage 5/16-18 x 5/8
49	317016	Pin - cotter	121	159483	Screw - hex tap 5/16-18 x 1/2
50	450353	Bolt - hex 1/4-20 x 1-1/4	122	616342	Nut - hex 5/16-18 center lock
51	615690	Washer - flat 1/4	123	158097	Bolt - hex tap 1/4-20 x 5/8
52	620807	Ring - retainer	124	178681	Bracket - heat shield
53	043199	Wheel - rear w/tire & rim	125	095378	Spring - brake
54	043206	Rim - rear tire	126	095379	Spring - brake return
55	043205	Tire - rear 20 x 8.00 tubeless	127	164981	Bolt - shoulder 5/16-18
56	158188	Washer - flat	128	023793	Lever - control, hydrostatic valve
57	615625	Nut - hex jam 1/2-13	129	382911	Bolt - shoulder 5/16-18
58	446369	Key - rear wheel	130	382913	Bolt - shoulder #8-32
59	715144	Washer - flat 3/4	131	151894	Nut - hex #8-32 nylok
60	158014	Bolt - hex tap 3/8-16 x 1-1/4	132	114462	Tip - lever end
61	153551	Washer - lock 3/8 ext tooth	133	023794	Bracket - lever guide
62	159269	Clamp - throttle cable	134	457085	Bolt - hex 5/16-18 x 2
63	159277	Screw - cable clamp	135	799835	Decal - run/push
64	092676	Muffler - exhaust	136	096198	Guide - belt
65	017897	Bracket - muffler	-	042077	Tube - front tire (optional)
66	134692	Gasket - muffler	-	042093	Tube - rear tire (optional)
67	**	Engine - 14.5 HP	-	393736	Sealant - tire 16 oz. bottle
68	**	Transmission - hydro	-	393744	Sealant - tire 32 oz. bottle
69	450346	Bolt - hex 5/16-18 x 3/4			
70	095285	Pulley - engine, double			

\*Contact Engine Manufacturer's authorized service dealer for parts and warranty.

\*\*Contact Tuff Torq authorized service dealer or distributor for parts and warranty.

S/N 237592  
P/L 082782  
O/M 082783



S/N 23/592  
P/L 082782  
O/M 082783

## 40" MOWER DECK AND DRIVE

Index No.	Part No.	Description	Index No.	Part No.	Description
1	023832	Deck - mower 40"	35	300037	Belt - blade drive
2	014498	Bracket - deck lift R.H.	36	098004	Pulley - idler
3	014506	Bracket - deck lift L.H.	37	098012	Retainer - belt
4	023833	Bracket - deck drawbar	38	158444	Bolt - carriage 3/8-16 x 2
5	715391	Nut - hex 3/8-16 flange	39	451195	Nut - hex 3/8-16 nylok
6	310151	Nut - hex 5/16-18 nylok	40	086660	Arm - blade brake w/brake pad (includes 41, 44 & 45)
7	715185	Washer - flat 5/16	41	086678	Arm - blade brake w/o brake pad
8	014431	Drawbar - deck	42	089680	Arm - idler w/brake pad (includes 43, 44 & 45)
9	097469	Pin - drawbar	43	022608	Arm - idler w/o brake pad
10	715011	Hairpin - cotter	44	135046	Pad - brake
11	158691	Nut - eccentric, deck leveling	45	159152	Rivet - brake pad 3/16 x 1/2
12	156968	Bolt - hex 5/16-18 x 1-1/4	46	023242	Bracket - idler arm
13	159194	Washer - flat 5/16 special	47	450346	Bolt - hex 5/16-18 x 3/4
14	019521	Guard - toe	48	381616	Bolt - shoulder 3/8-16 x 2-3/4
15	114074	Deflector - discharge opening	49	023283	Bracket - extension
16	085595	Pin - deflector hinge	50	158337	Washer - flat 3/8
17	086322	Spring - deflector	51	095495	Rod - brake release
18	019513	Bracket - deflector	52	452615	Nut - hex 1/4-20 nylok
19	450437	Bolt - hex 5/16-18 x 5/8	53	109637	Spring - brake engaging
20	031463	Blade - hi lift 20	54	086710	Spring - clutch engaging
--	031464	Blade - mulcher (optional)	55	115515	Guard - belt pulley LH
21	158543	Bolt - hex nylock 3/8-24 x 1	56	715417	Washer - flat
22	158055	Washer - conical lock	57	042226	Wheel - deck 6"
23	094920	Spindle Assembly - blade (includes 24-32)	58	157495	Bolt - shoulder 3/8-16 x 2-3/8
24	098160	Shaft - blade w/saddle	59	019455	Bracket - deck wheel, rear
25	134981	Shield - dust	60	022525	Bracket - deck wheel, front
26	138685	Housing - spindle w/o bearings	61	019539	Brace - wheel bracket
27	137760	Bearing - shaft	62	159954	Washer - flat 3/8
28	095398	Spacer - bearings	63	150185	Washer - split lock 3/8
29	159319	Spacer - drive pulley	64	164467	Washer - flat 5/16
30	023674	Pulley - drive	65	617019	Bolt - hex 5/16-18 x 7/8
31	157396	Washer - pulley retainer	-	143115	Decal - DANGER
32	159301	Nut - hex lock 7/16-20	-	397144	Deck assembly - complete
--	164673	Fitting - grease, spindle	-	397234	Kit - mulch plate/blades
33	159202	Bolt - hex tap 5/16-18 x 1-3/8			
34	159830	Bolt - hex tap 5/16-18 x 7/8			

S/N 237592  
P/L 082782  
O/M 082783