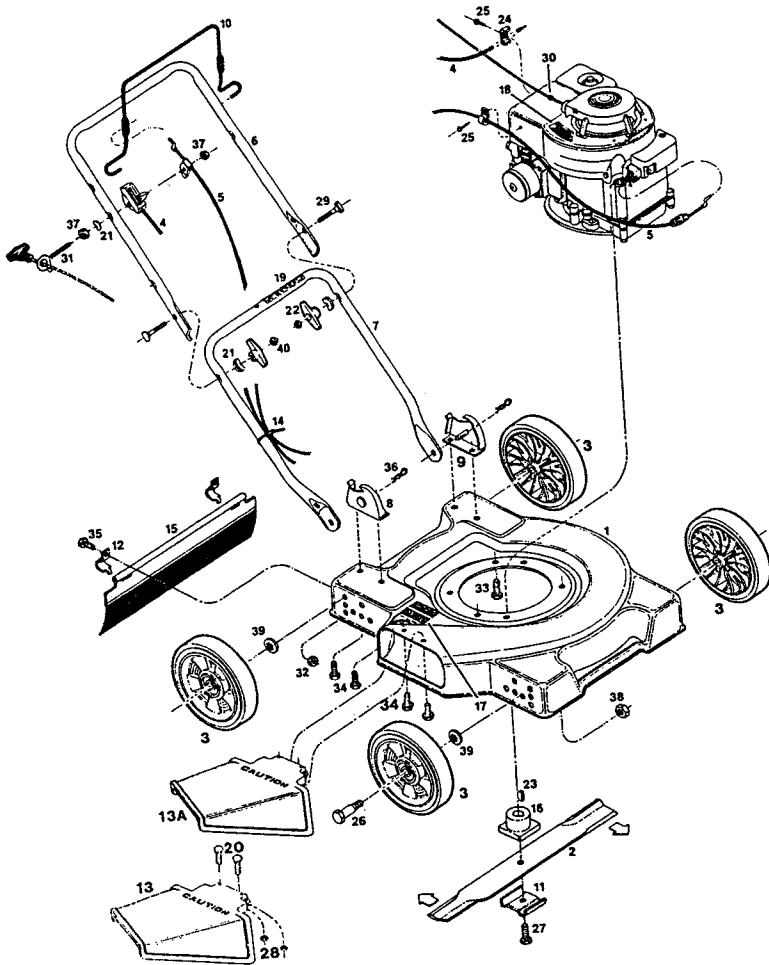


MODEL 45-J
3.5 HP 19" Rotary Mower
Grass Catcher Model GC-6AA
P/N 161018
P/N Repl. Bag 161158



ITEM NO.	PART NO.	DESCRIPTION
1	016295	Deck 19"
2	030023	Blade - 19" Flat
3	042739	Wheel 7" Plastic
4	051219	Control - Throttle Plastic
5	052142	Cable - Engine/Blade Control
6	073007	Handle - Upper
7	072991	Handle - Lower
8	107086	Handle Bracket - Right Hand
9	107094	Handle Bracket - Left Hand
10	073015	Bail - Engine/Blade Control
11	106336	Washer - Blade Adapter
12	106914	Clip - Trailing Shield
13	393595	Chute Deflector Assembly
13A	394619	Chute Deflector Assembly
14	110379	Cable Tie
15	111583	Trailing Shield
16	133231	Blade Adapter
17	144063	Decal - C.P.S.C. Danger
18	001461	Decal - Blade Warning
19	715557	Decal - Starting Instructions
20	150011	Bolt - Carriage 1/4-20 x 5/8
21	150201	Washer - Curved 5/16
22	113589	Wingnut - Plastic
23	150276	Woodruff Key #6
24	150318	Cable Clamp
25	150623	Self Tap Screw #10 x 5/8
26	150060	Shoulder Bolt - Wheel
27	162024	Bolt-Blade 3/8-24 x 1-1/4 Gr. 8
28	715508	Locknut 1/4-20 Top
29	151928	Bolt - Curved Head 5/16-18 x 1-3/4
30	152074	Rope Stop
31	152629	Rope Guide
32	452318	Nut #10-24 Hx Nylon Insert
33	457168	Bolt - Hex Head Self Tap 3/8-16 x 7/8
34	457499	Bolt - Self Tap 1/4-20 x 5/8
35	458687	Bolt #10-24 x 1/2
36	715011	Hairpin Cotter
37	715037	Nut - Keps 1/4-20
38	451492	Locknut 3/8-16 Top Lock Flange
39	715607	Washer - Belleville
40	310045	Nut - 5/16-18

Note: Parts are right or left hand as viewed from operator position.