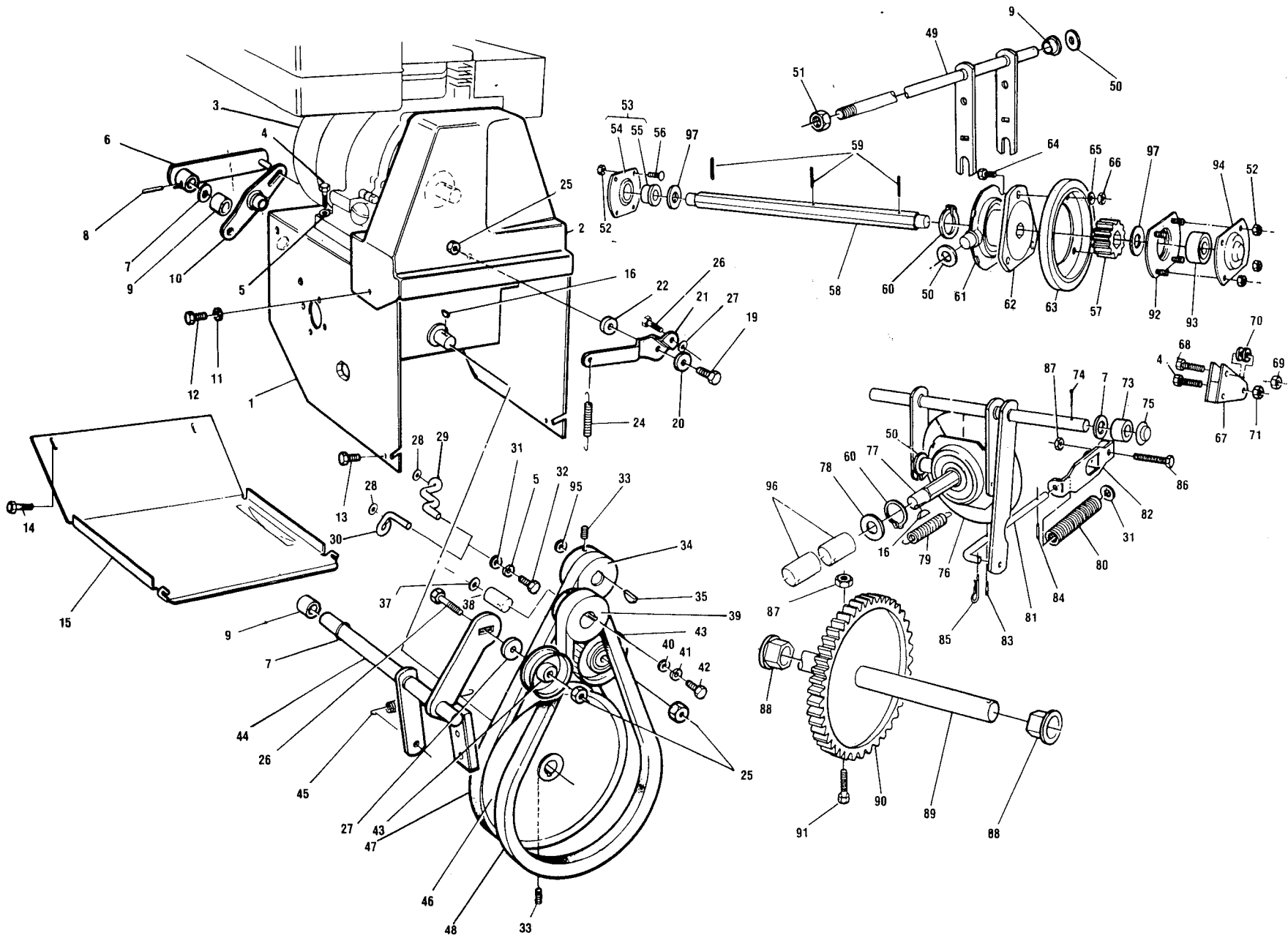


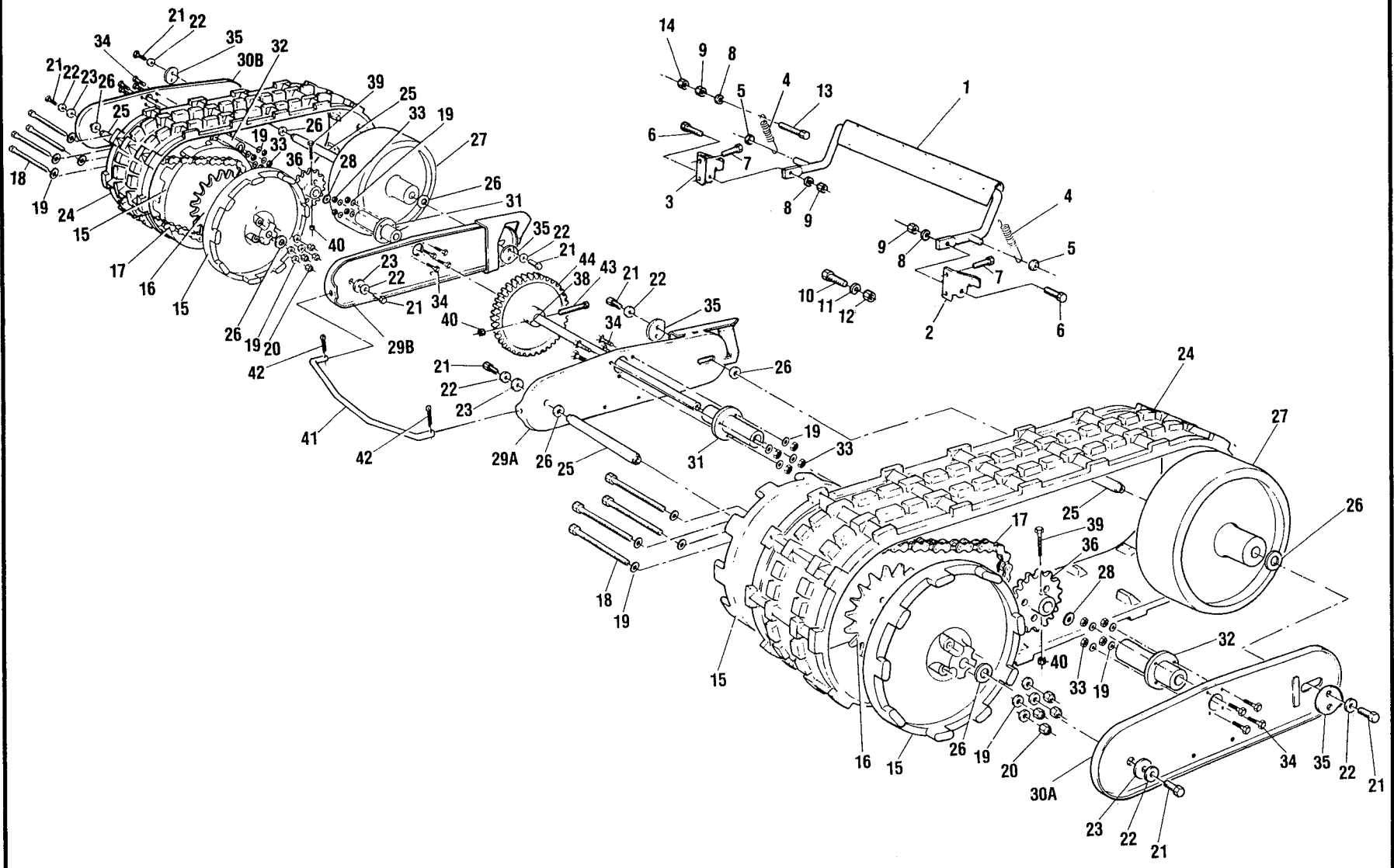
**Upper Handle Assembly**

Ref. No.	JCPenny Part No.	Supplier Part No.	Description	Ref. No.	JCPenny Part No.	Supplier Part No.	Description
1	1317-6714	665067	Control Panel	28	1317-6953	310045	5/16-18 hex nut
2	1317-6052	315085	5/16-18 x 1/2 self tapping screw	29	1292-2969	715029	3/32 x 3/4 cotter pin
3	1317-6060	153155	Washer	30	1317-6961	708180	3/8-16 x 3 bolt
4	1317-6011	153106	5/32 x 7/8 roll pin	31	1317-6979	150185	3/8 lockwasher
5	1317-6755	662452	Lever speed control	32	1317-6922	715391	3/8-16 hex nut
6	1317-6763	744243	Control knob	33	1317-6930	657247	Lower handle
7	1317-6771	662726	Speed control lever	34	1317-6748	715524	3/8-16 jam nut
8	1317-6789	312322	3/8-16 x 1-3/4 bolt	35	1317-6847	458984	3/8 eye bolt
9	1317-6797	662734	racket speed control	36	1317-8249	672220	Grommet
10	1317-6805	645630	Spring	37	1317-8256	697664	Bracket chute rotate L.H.
11	1283-1509	715417	3/8 flat washer	38	1317-8264	697672	Bracket chute rotate R.H.
12	1302-1621	451195	3/8-16 locknut	39	1317-8272	697680	Rod chute control
13	1317-6813	662767	Rod speed control	40	1277-8312	313510	4/16-18 x 3/4 carriage bolt
14	1317-6821	152934	5/16-24 hex nut	41	1317-8280	157339	1/2-20 jam nut
15	1317-6839	664763	Adaptor	42	1317-8298	311035	1/2 lockwasher
16	1317-5997	311118	5/16 lockwasher	43	1317-8306	672253	Handle crank
17	1317-6854	707372	Ball joint	44	1317-8314	152926	3/8 cap retainer
18	1317-6862	662759	Clutch handle R.H.	45	1317-8322	645614	Clutch cable
19	1317-6870	662742	Clutch handle L.H.	46	1317-8330	645622	Spring auger clutch
20	1317-6888	657494	Bumper	47	1317-6490	150391	1/4-20 locknut
21	1317-6896	663542	Pivot pin	48	1317-8355	662874	Spring drive clutch
22	1317-6904	153767	5/16 cap retainer	49	1278-5028	312066	5/16-18 x 3/4 bolt
23	1317-6912	707315	Handle grip	50	1317-8363	672964	Plastic stop
24	1317-6920	657460	Upper handle R.H.	51	1317-8371	151472	3/32-1 cotter pin
25	1317-6938	657478	Upper handle L.H.	52	1317-8389	672956	Plastic cap
26	1317-6946	312280	5/16-18 x 1-3/4 bolt	53	1317-8397	662791	Crank
27	1302-7040	715185	5/16 flat washer				



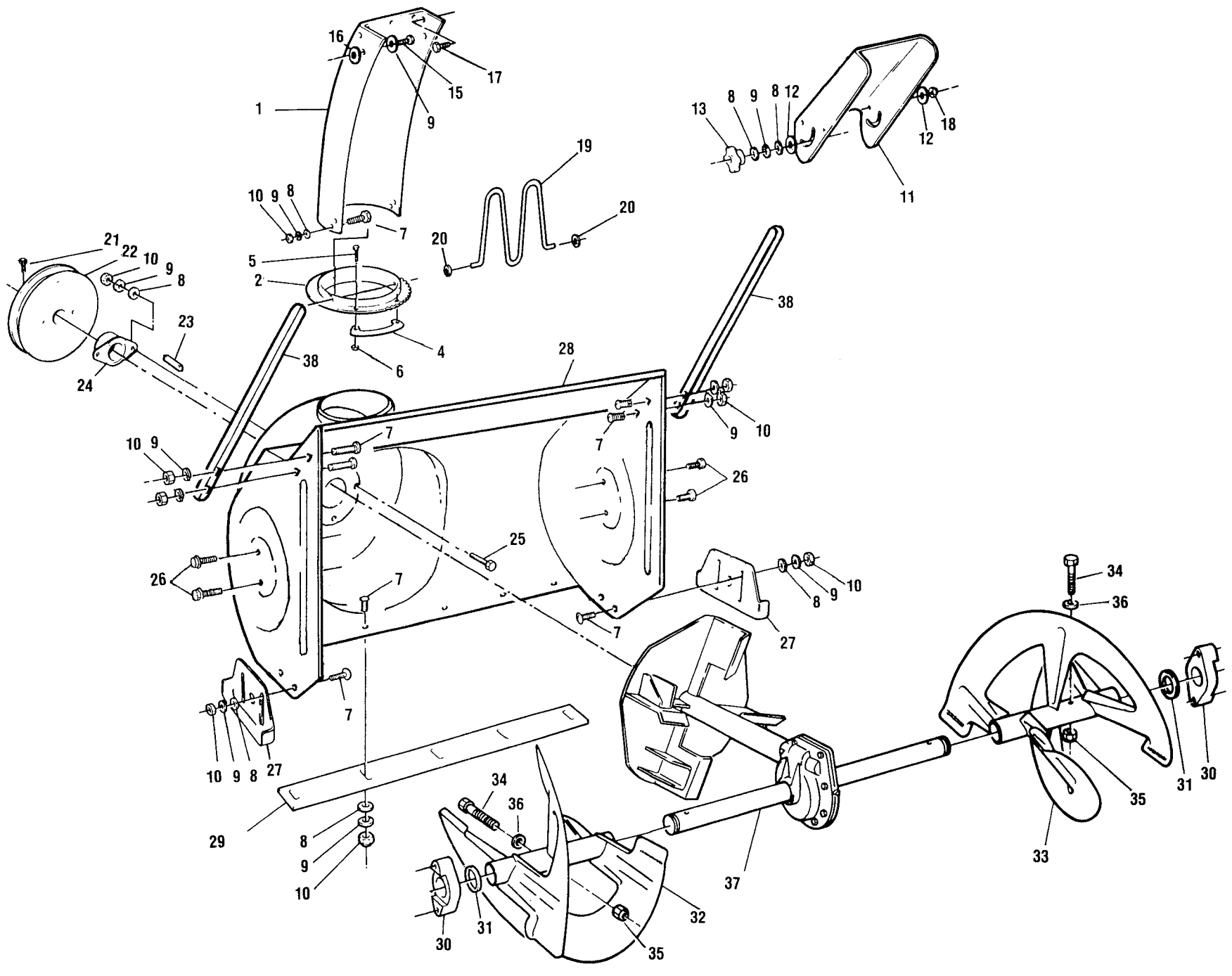
**Motor Mount Assembly**

Ref. No.	JCPenny Part No.	Supplier Part No.	Description	Ref. No.	JCPenny Part No.	Supplier Part No.	Description
1	1317-5963	664912	Motor mount frame	51	1304-0977	310011	3/8-16 locknut
2	1317-5971	707307	Belt cover	52	1317-6219	715334	10-24 keps nut
3			8HP Tecumseh engine	53	1317-6359	707182	Bearing assembly
4	1317-5989	150045	5/16-18 x 1-1/4 bolt	54	1317-6367	707398	Flange bearing
5	1317-5997	311118	5/16 lockwasher	55	1317-6375	707380	Bearing
6	1317-6003	662973	Lever auger clutch	56	1317-6383	153163	10-24 x 3/8 carriage bolt
7	1300-0591	460824	1/2 - flat washer	57	1317-6391	707174	Pinion 8 tooth
8	1317-6011	153106	5/32 x 7/8 roll pin	58	1317-6409	707166	Hex shaft
9	1317-6029	672261	Plastic bushing	59	1317-6417	314112	1/8 x 3/4 roll pin
10	1317-6037	662981	Lever clutch cable	60	1317-6425	153262	1-1/4 - snap ring
11	1277-8346	715300	1/4 - flat washer	61	1317-6433	662833	Trunion bearing assembly
12	1317-6045	153007	1/4-20 x 1/2 self tapping screw	62	1317-6441	662551	Hub friction wheel
13	1317-6052	315085	5/16-20 x 1/2 self tapping screw	63	1317-6458	707141	Friction wheel
14	1317-6045	153007	1/4-20 x 1/2 self tapping screw	64	1317-6466	153171	1/4-20 x 5/8 bolt
15	1317-6078	662627	Bottom panel	65	1302-7206	715094	1/4 lockwasher
16	1317-6086	153080	Hypro key 3/16	66	1302-2132	310052	1/4-20 hex nut
19	1278-5028	312066	5/16-18 x 3/4 bolt	67	1317-6474	662387	Pivot traction
20	1317-6102	153247	5/16 x 1-3/8 x 14 GA washer	68	1317-6482	525196	1/4-20 x 1-3/4 bolt
21	1317-6110	707273	Lever idler traction	69	1317-6490	150391	1/4-20 locknut
22	1317-6128	707067	Spacer	70	1317-6508	153569	Spacer
23	1302-9582	715177	5/16-18 locknut	71	1302-9582	715177	5/16 -18 locknut
24	1317-6136	775718	Spring	72	1317-6516	662478	Traction shaft assembly
25	1298-5156	715524	3/8-16 hex jam nut	73	1317-6524	707109	Bushing
26	1277-9963	153015	3/8-16 x 1-1/4 bolt	74	1302-8972	317016	1/8 x 1 cotter pin
27	1283-1509	715417	3/8 - flat washer	75	1317-6532	153205	1/2 - push nut
28	1317-6144	663484	Spacer belt retainer	76	1317-6540	662866	Disc drive
29	1317-6151	662635	Belt guide L.H.	77	1317-6557	664631	Traction hex shaft
30	1317-6169	662643	Belt guide R.H.	78	1317-6565	664680	Bearing thrust
31	1302-7040	715185	5/16 - flat washer	79	1317-6573	662858	Spring
32	1317-6177	153064	5/16-24 x 1 bolt	80	1317-6581	662841	Spring traction
33	1317-6185	153049	5/16-18 x 1/2 bolt	81	1317-6599	664649	Rod - traction
34	1317-6193	707406	PTO pulley	82	1317-6607	662585	Bracket traction spring
35	1317-6201	157303	Key no. 5	83	1317-6615	153122	1/8 x 1-3/8 spring pin
37	1317-6227	153239	Washer	84	1317-6623	153130	1/8 x 1/2 spring pin
38	1317-6235	672998	Spacer	85	1292-2969	715029	3/32 x 3/4 cotter pin
39	1317-6243	707257	Pulley auger drive	86	1298-1155	450353	1/4-20 x 1-1/4 bolt
40	1317-6250	153031	Washer	87	1302-9566	152967	1/4-20 locknut
41	1317-6268	153023	3/8 lockwasher	88	1317-6631	707828	Bearing axle
42	1317-6276	312363	3/8-24 x 1 bolt	89	1317-6649	664656	Axle
43	1317-6284	170530	2" idler pulley	90	1317-6656	664664	48 tooth gear
44	1317-6292	664623	Auger clutch rod	91	1317-6664	153148	1/4-20 x 2-3/4 bolt
45	1317-6300	662825	Spring	92	1317-6672	708024	Bearing retainer inner
46	1317-6318	708008	Traction pulley 5"	93	1317-6680	708040	Ball bearing
47	1317-6326	708016	Belt traction drive	94	1317-6698	708032	Bearing retainer outer
48	1317-6334	707232	Belt auger drive	95	1317-6227	153239	Washer
49	1317-6342	662437	Speed control shaft	96	1317-6702	664672	Bearing needle
50	1317-6060	153155	Washer				



**Track Assembly**

Ref. No.	JCPenny Part No.	Supplier Part No.	Description	Ref. No.	JCPenny Part No.	Supplier Part No.	Description
1	1317-7324	664920	Foot pedal	24	1317-7985	673012	Track
2	1317-7506	664938	Bracker L.H.	25	1317-7001	664979	Shaft - track wheel
3	1317-7597	664946	Bracker R.H.	26	1317-7035	708149	1/2" hardened washer
4	1317-7654	664953	Spring	27	1317-7068	664987	Idler wheel
5	1317-7688	715474	1/2 pal nut	28	1317-7092	708156	Washer
6	1317-7712	664961	Shoulder bolt	29A	1317-7126	664995	Track plate inner L.H.
7	1317-6045	153007	1/4-20 x 1/2 self tapping screw	29B	1317-7159	665000	Track plate inner R.H.
8	1317-5997	311118	5/16 lockwasher	30A	1317-7183	665018	Track plate outer L.H.
9	1317-6953	310045	5/16-18 hex nut	30B	1317-7217	665026	Track plate outer R.H.
10	1302-2066	715326	3/8-16 x 1 bolt GR5	31	1317-7241	665034	Hub - inner
11	1317-6979	150185	3/8 lockwasher	32	1317-7274	665042	Hub - outer
12	1298-5156	715524	3/8-16 jam nut	33	1317-6490	150391	1/4-20 locknut
13	1278-5028	312066	5/16-18 x 3/4 bolt	34	1317-7332	150169	1/4-20 x 1 bolt
14	1302-9582	715177	5/16 locknut	35	1317-7365	665059	Cam washer
15	1317-7746	673004	Wheel - track drive	36	1317-7399	708065	Spocket
16	1317-7779	707059	Sprocket	38	1317-6227	153239	Washer
17	1317-7803	708057	Chain	39	1317-7423	708073	Shear bolt
18	1317-7837	708099	1/4-28 x 3-3/4 GR5 bolt	40	1302-9566	152967	1/4-20 locknut
19	1277-8346	715300	1/4 flat washer	41	1317-7456	708081	Connecting rod
20	1317-7860	708107	1/4-28 locknut	42	1286-1670	715011	Hair pin
21	1317-7894	708115	5/16-24 x 1/2 bolt	43	1317-6664	153148	1/4-20 x 2-3/4 bolt
22	1317-7928	708123	Bell washer	44	1317-6656	664664	48 tooth gear
23	1317-7951	708131	Washer				

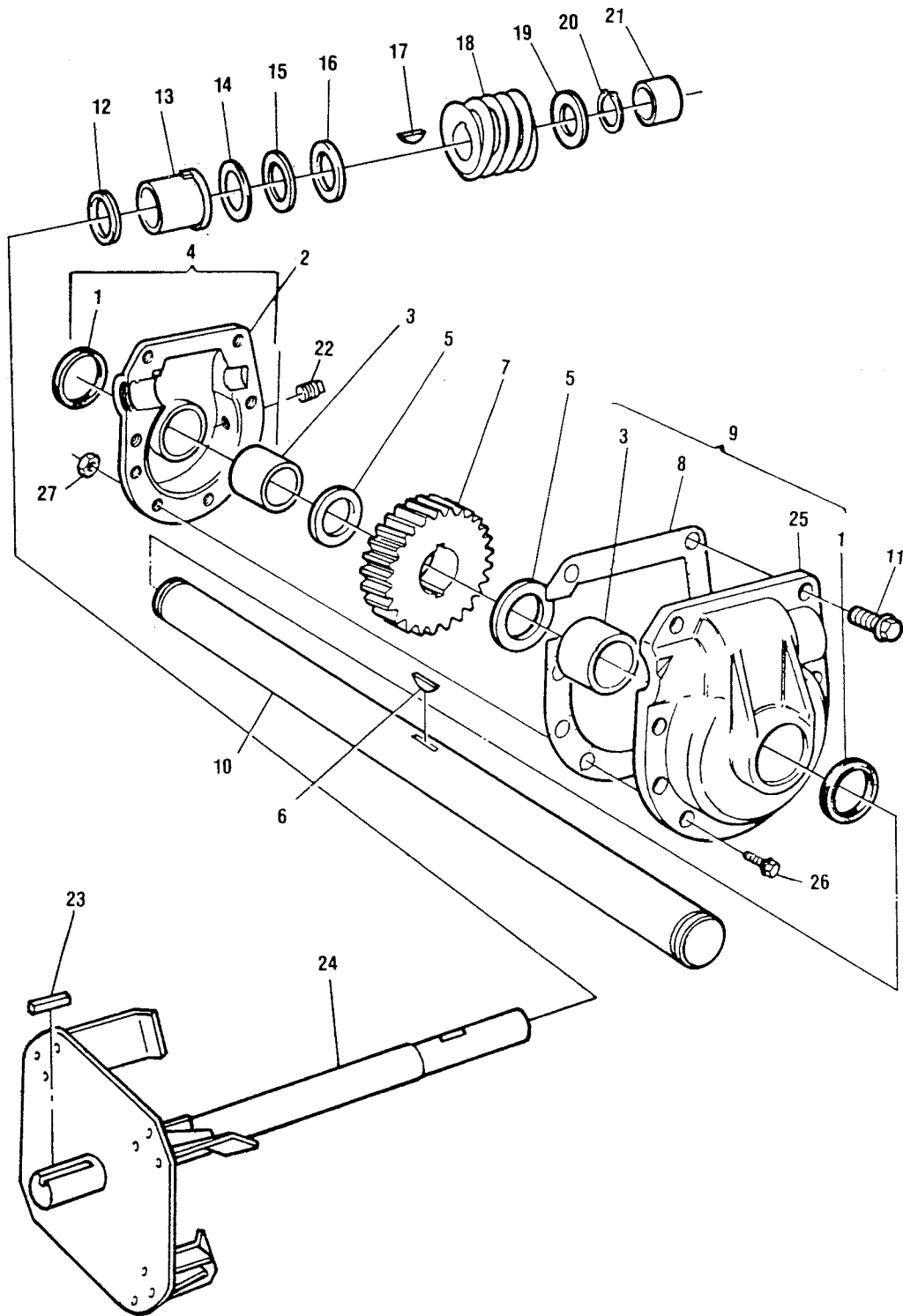


**Auger Housing Assembly**

Ref. No.	JCPenny Part No.	Supplier Part No.	Description	Ref. No.	JCPenny Part No.	Supplier Part No.	Description
1	1317-6987	662684	Chute extension	21	1317-7407	153577	5/16-18 x 3/4 bolt
2	1317-7019	662668	Flange	22	1317-7431	707190	Auger pulley 6.5"
4	1317-7043	697698	Retainer	23	1317-7464	707943	3/16 key
5	1317-7100	458232	8-32 x 1/2 bolt	24	1317-7498	662460	7/8 bearing
6	1317-7076	154096	8-32 locknut	25	1317-7522	312074	5/16-18 x 5/8 bolt
7	1277-8312	315510	5/16-18 c 3/4 carriage bolt	26	1302-9145	457523	5/16-18 x 3/4 self tapping screw
8	1302-7040	715185	5/16 flat washer	27	1317-7555	662569	Height adjustor
9	1317-7134	311118	5/16 lockwasher	28	1317-7589	664904	Auger housing 25"
10	1317-7167	310045	5/16 hex nut	29	1317-7613	662445	25" scraper bar
11	1317-7191	697706	Chute deflector	30	1317-7647	707661	Bushing auger shaft
12	1317-7225	672972	Plastic washer	31	1317-7670	153387	Washer
13	1317-7258	707323	Wing knob	32	1317-7704	662528	25" serrated auger R.H.
14	1317-7282	461996	7/16 flat washer	33	1317-7738	662536	25" serrated auger L.H.
15	1317-7316	313502	5/16-18 x 1 carriage bolt	34	1302-9541	152900	1/4-20 x 1-1/2 bolt
16	1283-1509	715417	3/8 flat washer	35	1302-9566	152967	1/4-20 locknut
17	1317-7340	157321	5/16-18 x 3/4 pan head slotted bolt	36	1317-7761	672980	Spacer
18	1277-8304	310151	5/16-18 locknut	37	1317-7795	713016	25" gear box assembly
19	1317-7373	708164	Hand guard	38	1317-7829	664870	Drift cutter
20	1270-0910	715102	3/16 grip ring				



### Gear Box Assembly



**J.C. Penney****Model 4923 Cat.#850-1025****Gear Box Assembly**Specify Model and  
Part Number When Ordering

Ref. No.	JCPenny Part No.	Supplier Part No.	Description	Ref. No.	JCPenny Part No.	Supplier Part No.	Description
1	1317-7852	707471	Seal	15	1317-7266	153312	Bearing needle
2	1317-7886	707547	Housing L.H.	16	1317-7299	153304	Race thrust
3	1317-7910	707463	Bearing	17	1317-6086	153080	Key 3/16"
4	1317-7944	707455	Housing assembly L.H.	18	1317-7357	707513	Worm
5	1317-7977	707430	Race thrust	19	1317-7381	423517	Race thrust
6	1317-6995	153353	Key Woodruff #91	20	1317-7415	153296	Ring retainer
7	1317-7027	707422	Worm gear	21	1317-7449	707505	Bearing impeller shaft
8	1317-7050	707448	Gasket	22	1317-7472	153288	Grease plug
9	1317-7084	707489	Housing assembly R.H.	23	1317-7464	707943	3/16" key
10	1317-7118	662494	25" auger shaft	24	1317-7530	713024	Impeller shaft assembly
11	1317-7142	153361	5/16-24 x 1-1/2 bolt	25	1317-7563	707539	Housing R.H.
12	1317-7175	153346	Ring quad	26	1317-6177	153064	5/16-24 x 1 bolt
13	1317-7209	153338	Bearing impeller shaft	27	1317-7621	153189	5/16-24 flange locknut
14	1317-7233	153320	Race thrust		1317-7795	713016	25" gear box assembly (complete)