

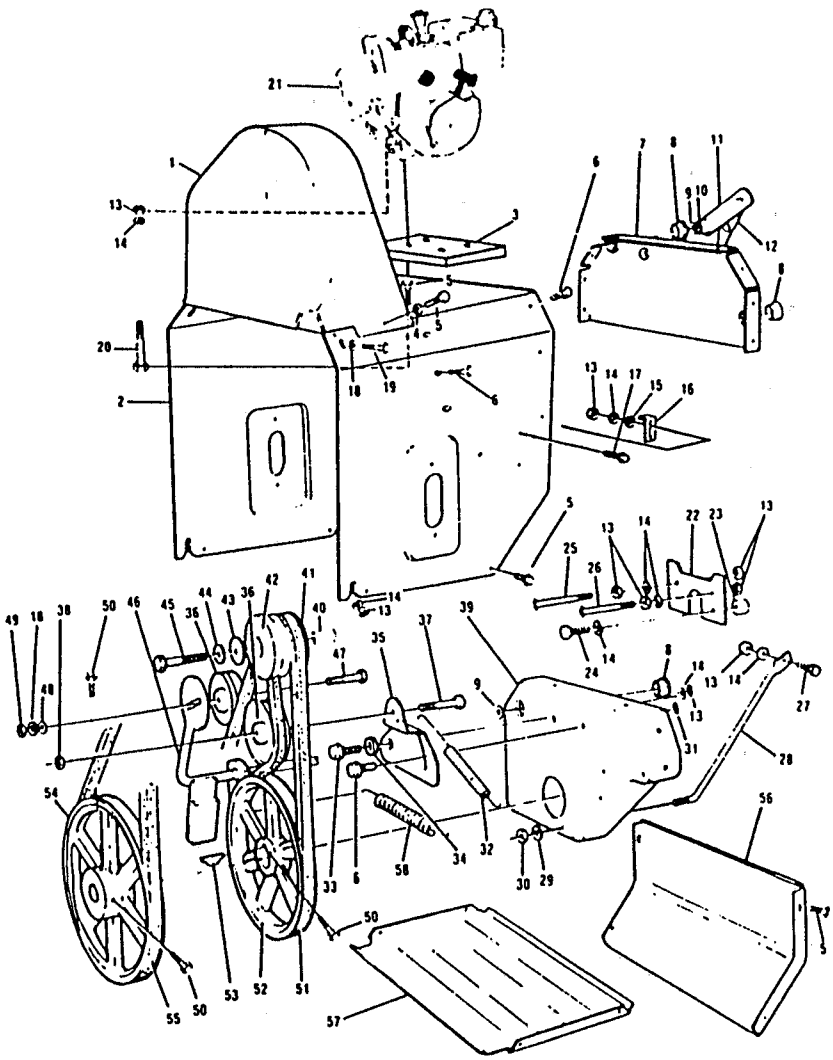
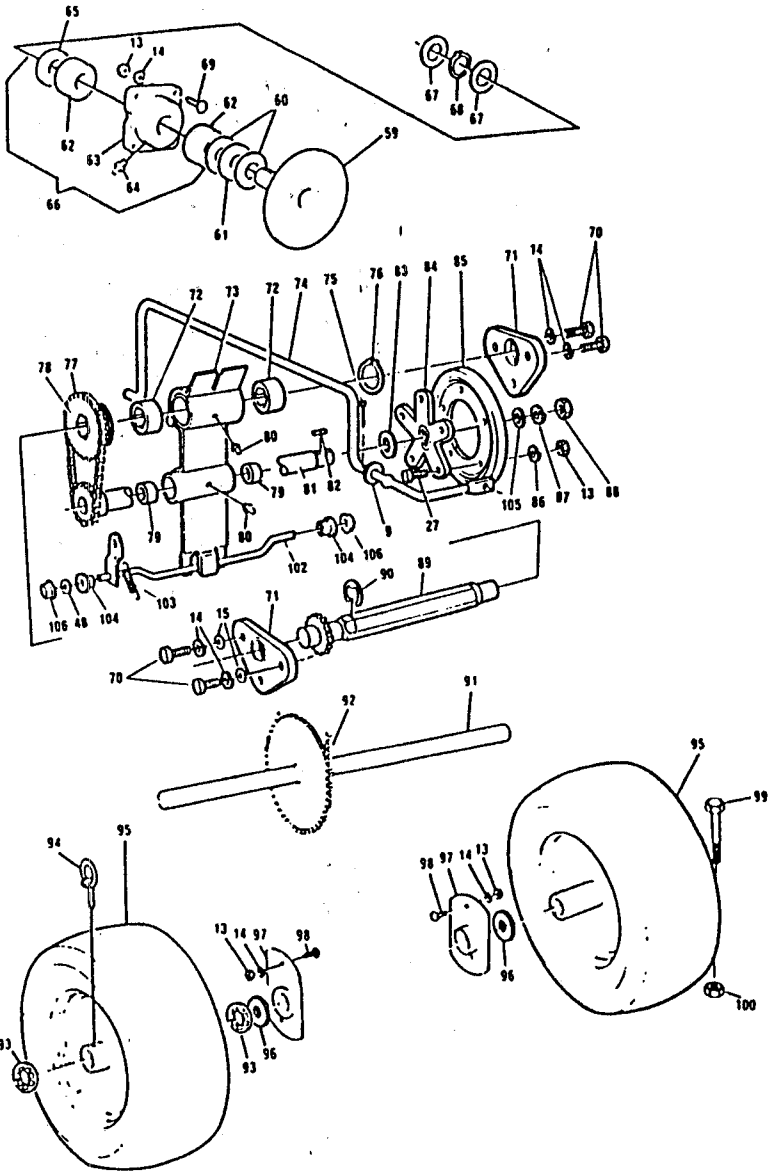
J.C.PENNEY MODEL: 4924A
CAT. # 850-1090
10 HP 32" Dual Stage Snowthrower

Upper Handle Assembly

Ref. No.	JCPenny Part No.	Supplier Part No.	Description	Ref. No.	JCPenny Part No.	Supplier Part No.	Description
1	1317-9437	657486	Control panel	27	1283-4131	456780	3/8-16 x 2-3/4 bolt
2	1317-6052	310085	5/16-18 x 1/2 self tapping screw	28	1317-6979	150185	3/8 lockwasher
3	1317-6763	744243	Control knob	29	1317-6722	715391	3/8-16 hex nut
4	1317-6771	662726	Speed control lever	30	1317-8546	657254	Lower handle
5	1317-6789	312322	3/8-16 x 1-3/8 bolt	31	1317-7332	150169	1/4-20 x 1 bolt
6	1317-6797	662734	Bracket speed control	32	1317-6490	150391	1/4-20 locknut
7	1317-6805	645630	Spring	33	1317-8249	672220	Grommet
8	1283-1509	715417	3/8 flat washer	34	1317-8256	697664	Bracket chute rotate L.H.
9	1302-1621	451195	3/8-16 locknut	35	1317-8264	697672	Bracket chute rotate R.H.
10	1317-6813	662767	Rod speed control	36	1317-8561	664771	Rod chute control
11	1317-6821	152934	5/16-24 hex nut	37	1277-8312	313510	5/16-18 x 3/4 carriage bolt
12	1317-6839	664763	Adaptor	38	1317-8280	157339	1/2-20 jam nut
13	1317-5997	311118	5/16 lockwasher	39	1317-8298	311035	1/2 lockwasher
14	1317-6854	707372	Ball joint	40	1317-8306	672253	Handle crank
15	1317-6862	662759	Clutch handle R.H.	41	1317-8314	152926	3/8 cap retainer
16	1317-6870	662742	Clutch handle L.H.	42	1317-8579	645655	Clutch cable
17	1317-6888	657494	Bumper	43	1317-8330	645622	Spring auger clutch
18	1317-6896	663542	Pivot pin	44	1317-6490	150391	1/4-20 locknut
19	1317-6904	153767	5/16 cap retainer	45	1317-8587	707612	Spring drive clutch
20	1317-6912	707315	Handle grip	46	1278-5028	312066	5/16-18 x 3/4 bolt
21	1317-6920	657460	Upper handle R.H.	47	1317-8363	672964	Plastic stop
22	1317-6938	657478	Upper handle L.H.	48	1292-2969	715029	3/32-3/4 cotter pin
23	1317-6946	312280	5/16-18 x 1-3/4 bolt	49	1317-8389	672964	Plastic cap
24	1302-7040	715185	5/16 flat washer	50	1317-8603	663278	Crank
25	1317-6953	310045	5/16-18 hex nut	51	1317-8611	663260	Bracket clamp crank
26	1292-2969	715029	3/32 x 3/4 cotter pin	52	1317-8629	663252	Bracket clamp

Motor Mount Assembly

J.C.PENNEY MODEL: 4924A
CAT. # 850-1090
10 HP 32" Dual Stage Snowthrower



J.C.PENNEY MODEL: 4924A

CAT. # 850-1090

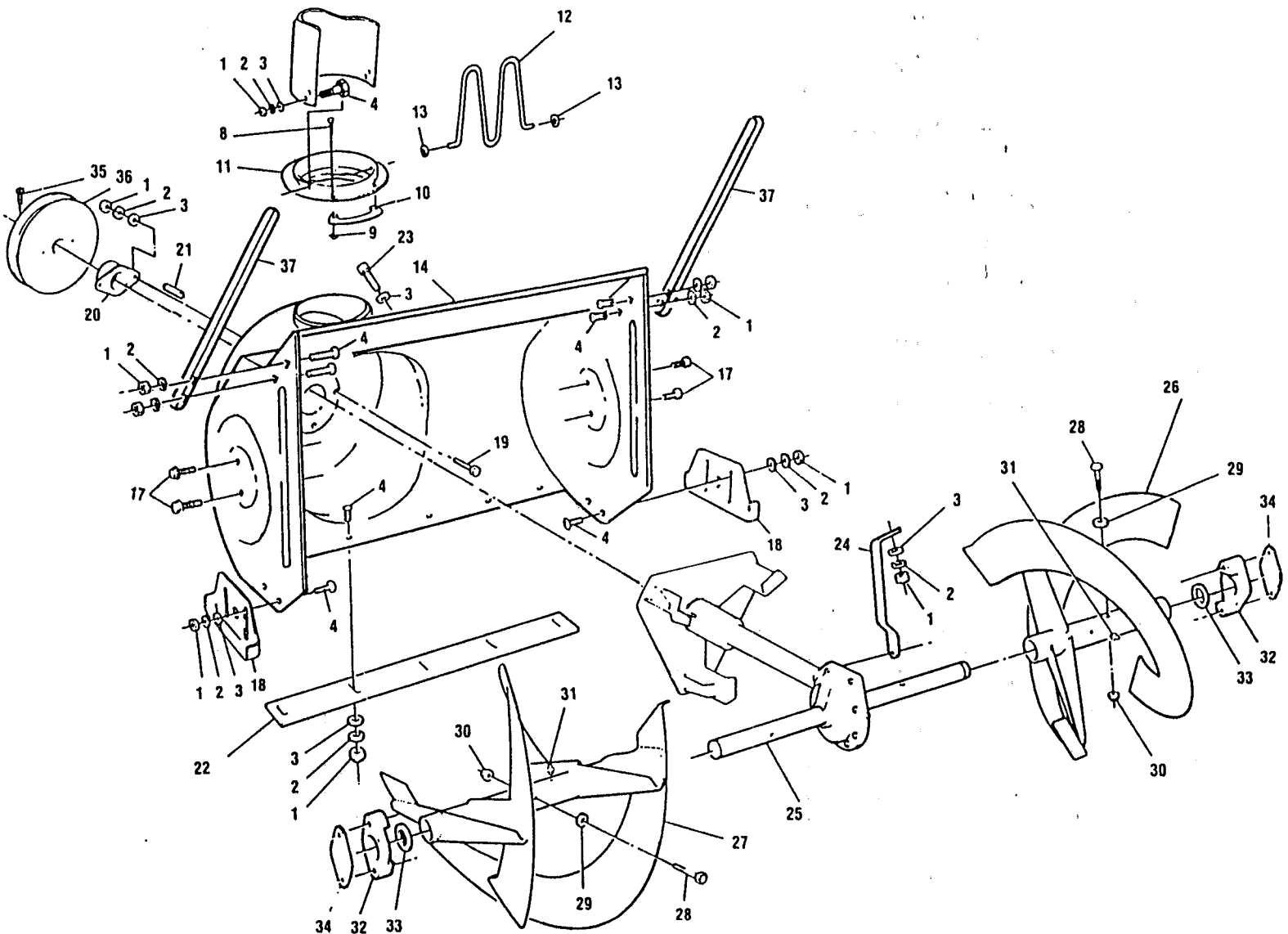
10 HP 32" Dual Stage Snowthrower

Upper Handle Assembly

Ref. No.	JCPenny Part No.	Supplier Part No.	Description	Ref. No.	JCPenny Part No.	Supplier Part No.	Description
1	1317-8637	672246	Belt cover	54	1324-5774	419713	Auger pulley 8.4"
2	1317-8660	664888	Motor mount frame	55	1317-8918	421362	Belt auger drive
3	1317-8694	662999	Engine riser	56	1317-8942	663245	Rear panel
4	1277-8346	715300	1/4 flat washer	57	1317-8975	663054	Bottom panel
5	1317-6045	153007	1/4-20 x 1/2 self tapping screw	58	1317-9007	664813	Spring auger brake
6	1317-6052	315085	5/16-18 x 1/2 self tapping screw	59	1317-8652	729897	Friction disc assembly
7	1317-8728	664896	End plate	60	1317-7381	423517	Race thrust
8	1317-6029	672261	Plastic busing	61	1317-8686	707562	Needle bearing
9	1300-0591	460824	1/2 flat washer	62	1317-8710	423228	Needle bearing
10	1317-6011	153106	5/32 x 7/8 roll pin	63	1317-8744	707711	Spindle housing
11	1317-6003	662973	Leaver auger clutch	64	1317-8777	707729	Grease fitting
12	1317-6037	662981	Leaver clutch cable	65	1317-8801	707760	Seal
13	1317-6953	310045	5/16-18 hex nut	66	1317-8835	707570	Spindle housing
14	1317-5997	311118	5/16 lockwasher	67	1317-8868	461830	Race thrust
15	1093-0675	715185	5/16 flat washer	68	1317-7415	153296	3/4 ring retainer
16	1317-8751	662916	Bracket clutch adjustment	69	1277-8313	313510	5/16-18 x 3/4 carriage bolt
17	1277-8312	313510	5/16-13 x 3/4 carriage bolt	70	1317-8439	312082	5/16-18 x 1/2 bolt
18	1317-6979	150185	3/8 lockwasher	71	1317-8892	707737	Drive busing
19	1317-8785	157347	3/8-16 x 1 self tapping screw	72	1317-8926	423475	Drive shaft hex bearing
20	1331-4760	157644	5/16-18 x 2-1/2 bolt GR 5	73	1317-8959	428425	Clutch plate
21			10 HP Tecumseh engine	74	1317-8983	763342	Yoke speed
22	1317-8876	663005	Belt guide plate	75	1292-2969	715029	3/32 x 3/4 cotter pin
23	1317-6508	153569	Spacer	76	1317-9015	790709	Retainer
24	1317-6177	153064	5/16-24 x 1 bolt	77	1317-9023	707984	Chain
25	1317-8843	154146	5/16-18 x 3 bolt	78	1317-9031	707976	Drive sprocket
26	1317-8462	157354	5/16-18 x 2-3/4 bolt	79	1317-9049	664821	Bearing clutch
27	1278-5028	312066	5/16-18 x 3/4 bolt	80	1302-9251	415737	Grease fitting
28	1317-8900	783845	Rod spindle support	81	1317-9056	664342	Shaft gear assembly
29	1302-7206	715094	1/4 lockwasher	82	1317-9064	446690	1/8 key
30	1302-2132	310052	1/4-20 hex nut	83	1317-9072	461822	Washer
31	1302-9582	715177	5/16-18 locknut	84	1317-9080	707950	Hub friction wheel
32	1317-8934	707695	Spring drive idler	85	1317-9098	707968	Friction wheel
33	1317-8967	157362	5/16-18 x 3/4 shoulder bolt	86	1317-9106	153510	5/16 external tooth lockwasher
34	1317-7282	461996	7/16 flat washer	87	1317-6979	150185	3/8 lockwasher
35	1317-8991	771246	Idler bracket	88	1317-9114	310029	3/8-24 hex nut
36	1317-8645	419762	3" idler pulley	89	1317-9122	663369	Hex shaft
37	1277-9963	153015	3/8-16 x 1-1/4 bolt	90	1317-9130	664839	Retainer
38	1298-5156	715524	3/8-16 jam nut	91	1317-9148	664326	Axle
39	1317-8678	664797	Spindle plate	92	1317-9155	707802	Chain
40	1317-8702	664805	Engine pulley spacer	93	1317-9163	663476	Retainer
41	1317-8736	707745	Pulley traction drive	94	1282-8042	153619	Click pin
42	1317-8769	707752	Pulley auger drive	95	1317-9171	041558	Wheel
43	1317-6250	153031	Washer	96	1317-6227	153239	Washer
44	1317-6268	153023	3/8 lockwasher	97	1317-9189	664334	Axle bracket
45	1317-8793	157370	3/8-24 x 1-1/4 bolt	98	1277-8312	313510	5/16-18 x 3/4 carriage bolt
46	1317-8827	662965	Auger clutch rod	99	1317-9197	312090	1/4-20 x 1-1/2 bolt GR 5
47	1278-5036	312272	3/8-16 x 1-1/2 bolt	100	1302-9566	152967	1/4-20 locknut
48	1283-1509	715417	3/8 flat washer	101	1317-9205	663294	(Not shown) Tire chain kit
49	1072-5224	715524	3/8-16 jam nut	102	1317-9213	763417	Yoke drive
50	1317-7407	153577	5/16-18 x 3/4 bolt	103	1317-9221	775684	Spring clutch yoke return
51	1317-8850	707596	Belt traction drive	104	1317-9239	707638	Bushing
52	1317-8884	419648	Traction pulley 7.0"	105	1317-8504	645648	Spring washer
53	1317-6086	153080	3/16 key	106	1317-9247	657403	3/8 cap retainer

Auger Housing Assembly

J.C.PENNEY MODEL: 4924A
CAT. # 850-1090
10 HP 32" Dual Stage Snowthrower

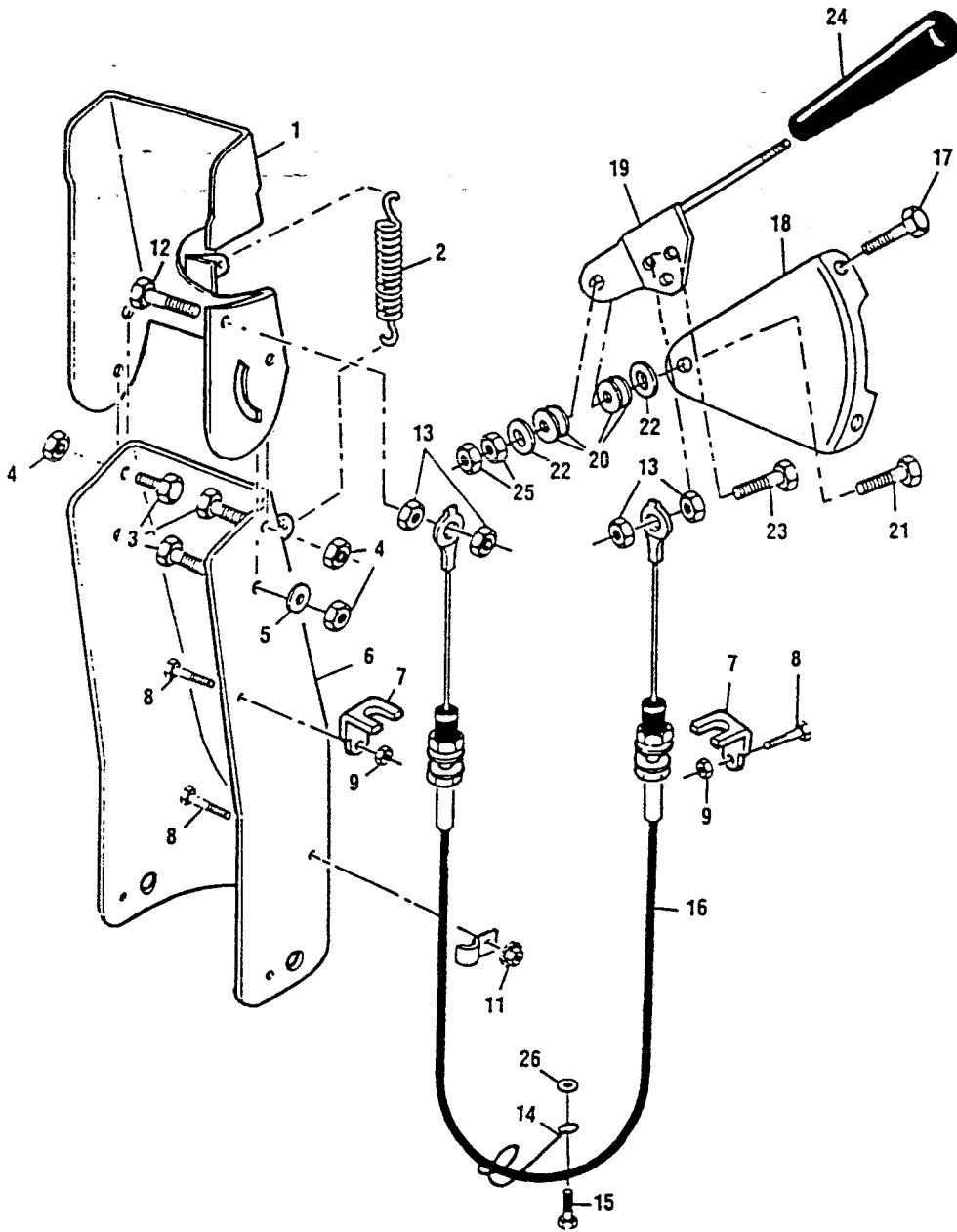


J.C.PENNEY MODEL: 4924A
CAT. # 850-1090
10 HP 32" Dual Stage Snowthrower

Auger Housing Assembly

Ref. No.	JCPenny Part No.	Supplier Part No.	Description	Ref. No.	JCPenny Part No.	Supplier Part No.	Description
1	1317-6953	310045	5/16-18 hex nut	20	1331-4703	708222	7/8 bearing
2	1317-5997	311118	5/16 lockwasher	21	1317-7464	707943	3/16 key
3	1302-7040	715185	5/16 flatwasher	22	1317-9288	663088	32" scraper bar
4	1277-8312	313510	5/16-18 x 3/4 carriage bolt	23	1317-9296	312058	5/16-18 x 1 bolt
5	1317-7340	157321	5/16-18 x 3/4 pan head slotted bolt	24	1317-9304	697763	Gear box brace
6	1317-7316	313502	5/16-18 x 1 carriage bolt	25	1317-9312	707646	32" gear box assembly
7	1317-7282	461996	7/16 flat washer	26	1317-9320	663112	32" serrated auger L.H.
8	1317-7100	458232	8-32 x 1/2 bolt	27	1317-9338	663138	32" serrated auger R.H.
9	1317-7076	154096	8-32 locknut	28	1302-0755	153494	5/16-18 x 2 bolt
10	1317-9254	790642	Retainer	29	1302-9574	153692	Spacer
11	1317-9262	663153	Flange	30	1302-9582	715177	5/16-18 locknut
12	1317-8447	708172	Hand guard	31	1317-9346	415687	Grease fitting
13	1270-0910	715102	3/16 retainer	32	1317-7647	707661	Busing auger shaft
14	1317-9270	664862	Auger housing 32"	33	1317-9353	153700	Washer
17	1302-9145	457523	5/16-18 x 3/4 self tapping screw	34	1317-9361	153718	Spacer
18	1317-7555	662569	Height adjustor	35	1317-7407	153577	5/16-18 x 3/4 bolt
19	1317-7522	312074	5/16-18 x 5/8 bolt	36	1324-5774	419713	Auger pulley 8.4"
				37	1317-7829	664870	Drift cutter
					1324-9271	713206	Drift cutter kit (includes ref. no.'s 1, 2, 4, 37)

Remote Chute Assembly



J.C.PENNEY MODEL: 4924A
CAT. # 850-1090
10 HP 32" Dual Stage Snowthrower

Remote Chute Assembly

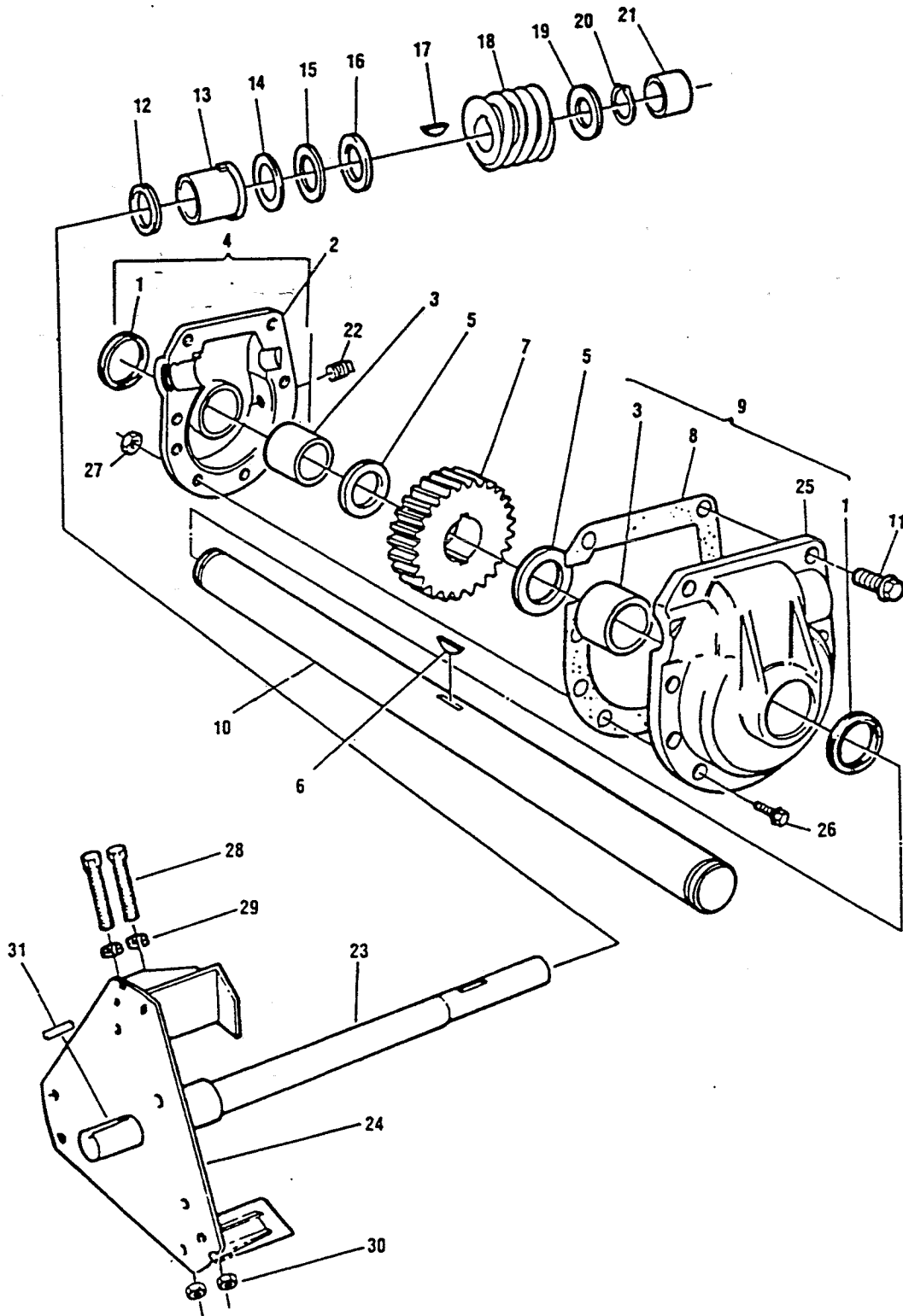
Ref. No.	JCPenny Part No.	Supplier Part No.	Description	Ref. No.	JCPenny Part No.	Supplier Part No.	Description
1	1317-8348	663203	Chute deflector remote	15	1331-4778	156463	5/16-18 x 2-3/4 bolt
2	1317-8405	663518	Spring	16	1317-8470	645697	Remote cable
3	1317-7340	157321	5/16-18 x 3/4 Pan head slotted bolt	17	1317-6052	315085	5/16-18 x 1/2 self tapping screw
4	1277-8304	310151	5/16-18 locknut	18	1317-6797	662734	Remote lever bracket
5	1317-7225	672972	Plastic washer	19	1317-6771	662726	Remote lever
6	1317-8413	664698	Chute extension remote	20	1317-8504	645648	Spring washer
7	1317-8421	664706	Bracket cable	21	1317-6789	312322	3/8-16 x 1-3/4 bolt
8	1317-8439	312082	5/16-18 x 1/2 bolt	22	1283-1509	715417	3/8 flatwasher
9	1302-9582	715177	5/16-18 locknut	23	1317-7332	150169	1/4-20 x 1 bolt
10	1138-2546	459263	10-24 x 3/8 bolt	24	1317-6763	744243	Control knob
11	1277-7736	452318	10-24 Locknut	25	1302-1621	451195	3/8-16 locknut
12	1317-7332	150169	1/4-20 x 1-bolt	26	1093-0675	715185	5/16 lockwasher
13	1317-6490	150391	1/4 x 20 locknut	27	1317-8447	708172	Hand Guard
14	1317-8454	664714	Remote wire form	28	1270-0910	715102	Retainer - Hand Guard

J.C.PENNEY MODEL: 4924A

CAT. # 850-1090

10 HP 32" Dual Stage Snowthrower

Gear Box Assembly



J.C.PENNEY MODEL: 4924A

CAT. # 850-1090

10 HP 32" Dual Stage Snowthrower

Gear Box Assembly

Ref. No.	JCPenny Part No.	Supplier Part No.	Description	Ref. No.	JCPenny Part No.	Supplier Part No.	Description
1	1317-7852	707471	Seal	17	1317-6086	153080	Key 3/16"
2	1317-7886	707547	Housing L.H.	18	1317-7357	707513	Worm
3	1317-7910	707463	Bearing	19	1317-7381	423517	Race thrust
4	1317-7944	707455	Housing assembly L.H.	20	1317-7415	153296	Ring retainer
5	1317-7977	707430	Race thrust	21	1317-7449	707505	Bearing impeller shaft
6	1317-6995	153353	Key Woodruff #91	22	1317-7472	153288	Grease plug
7	1317-7027	707422	Worm gear	23	1317-9403	663344	Impeller shaft
8	1317-7050	707448	Gasket	24	1317-9411	663104	Impeller
9	1317-7084	707489	Housing assembly R.H.	25	1317-7563	707539	Housing R.H.
10	1317-9379	663336	32" auger shaft	26	1317-6177	153064	5/16-24 x 1 bolt
11	1317-9387	153486	5/16-24 x 1-3/4 bolt	27	1317-7621	153189	5/16-24 flange locknut
12	1317-7175	153346	Ring quad	28	1317-6664	153148	1/4-20 x 2-1/4 bolt
13	1317-7209	153338	Bearing impeller shaft	29	1277-8346	715300	1/4 flat washer
14	1317-7233	153320	Race thrust	30	1302-9566	152967	1/4-20 locknut
15	1317-7266	153312	Bearing needle	31	1317-7464	707943	3/16 key
16	1317-7290	153304	Race thrust	32	1317-9312	707646	32" gear box assembly (complete)