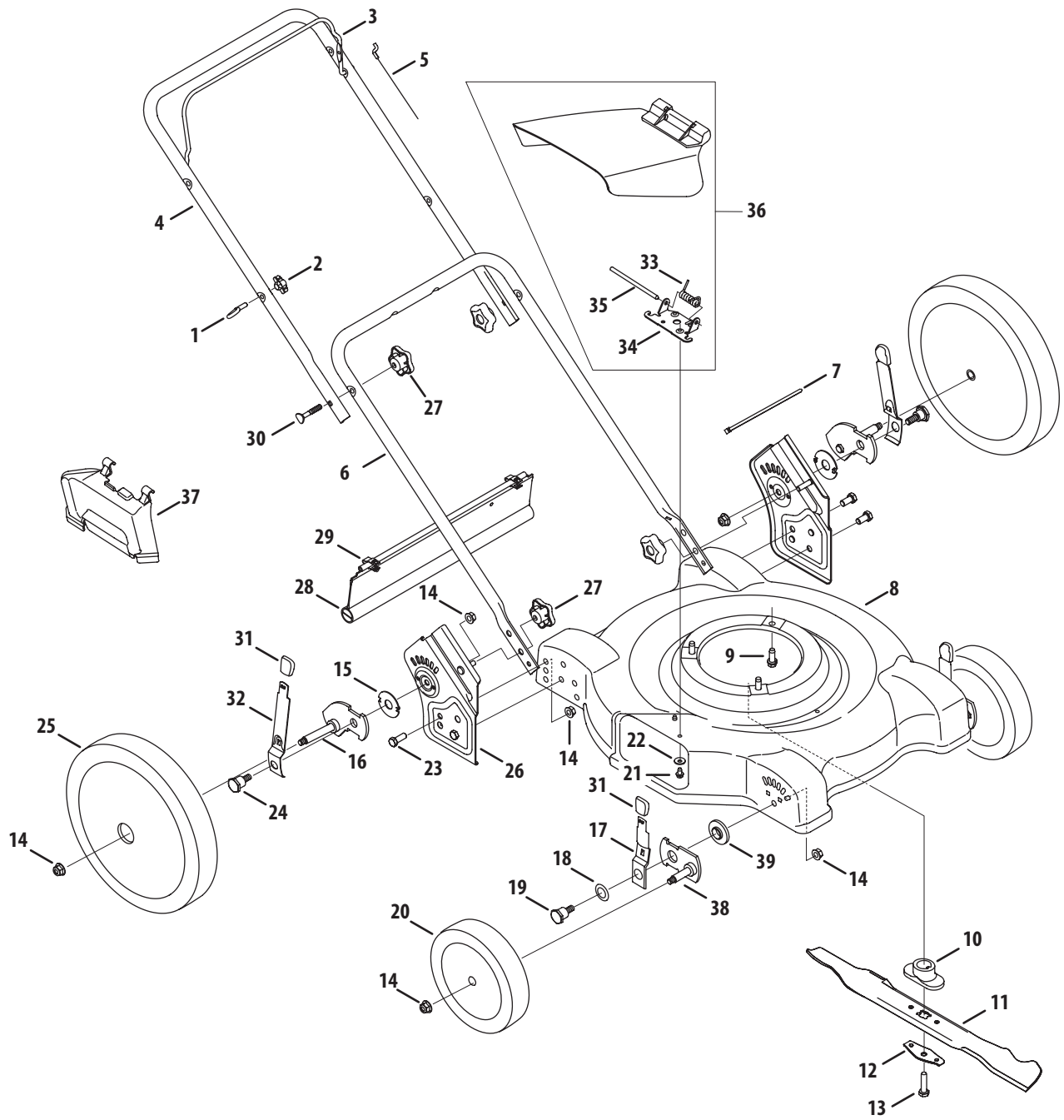


# Model Series 500



Ref.	Part Number	Description
1.	710-1205	Eye Bolt
2.	720-0279	Wing Nut
3.	747-1161A-0637	Blade Control Handle
4.	749-1092A-0637	Upper Handle
5.	946-0957	Control Cable - 37.25"
	946-1130	Control Cable - 40"
6.	749-04037	Lower Handle
7.	725-0157	Cable Tie
8.	687-02048A	Deck Assembly, 22"
9.	710-0654A	TT Screw, 3/8-16 x 1.0
10.	748-0376E	Blade Adapter, #6 x 1.19 w/star
	748-04096	Blade Adapter, 25mm x 1.19
11.	942-0742A	Mulching Blade, 22"
12.	736-0524B	Blade Bell Support
13.	710-1044	Screw, 3/8-24 x 1.5
14.	712-04065	Lock Nut, 3/8-16
15.	741-0717	Thrust Bearing
16.	687-02343	Rear Pivot Arm - LH
	687-02344	Rear Pivot Arm - RH
17.	732-1026	Front Lever
18.	736-0741	Bell Washer, .760 OD x 1.25 OD
19.	738-1172	Shoulder Screw

Ref.	Part Number	Description
20.	734-1988	Front Wheel Gray
21.	710-0599	TT Screw, 1/4-20 x .5
22.	736-0270	Bell Washer, .265 ID x .75 OD
23.	710-0216	Screw, 3/8-16 x .75
24.	738-04267	Shoulder Screw
25.	734-04082	Rear Wheel Gray
26.	982-3062A	Handle Bracket Assembly, RH
—	982-3063A	Handle Bracket Assembly, LH
27.	720-04072A	Star Knob
28.	731-06952	Trail Shield
29.	732-04631	Hinge Clip
30.	710-1174	Carriage Bolt, 5/16-18 x 2
31.	720-0426	Knob
32.	732-0984B	Rear Lever
33.	732-1014	Torsion Spring
34.	17032A	Chute Hinge
35.	747-0710	Hinge Pin
36.	931-1034B	Hinged Chute Deflector Ass'y
37.	631-04045	Mulching Baffle
38.	687-02342	Front Pivot Arm
39.	741-04242	Height Adjuster Bearing