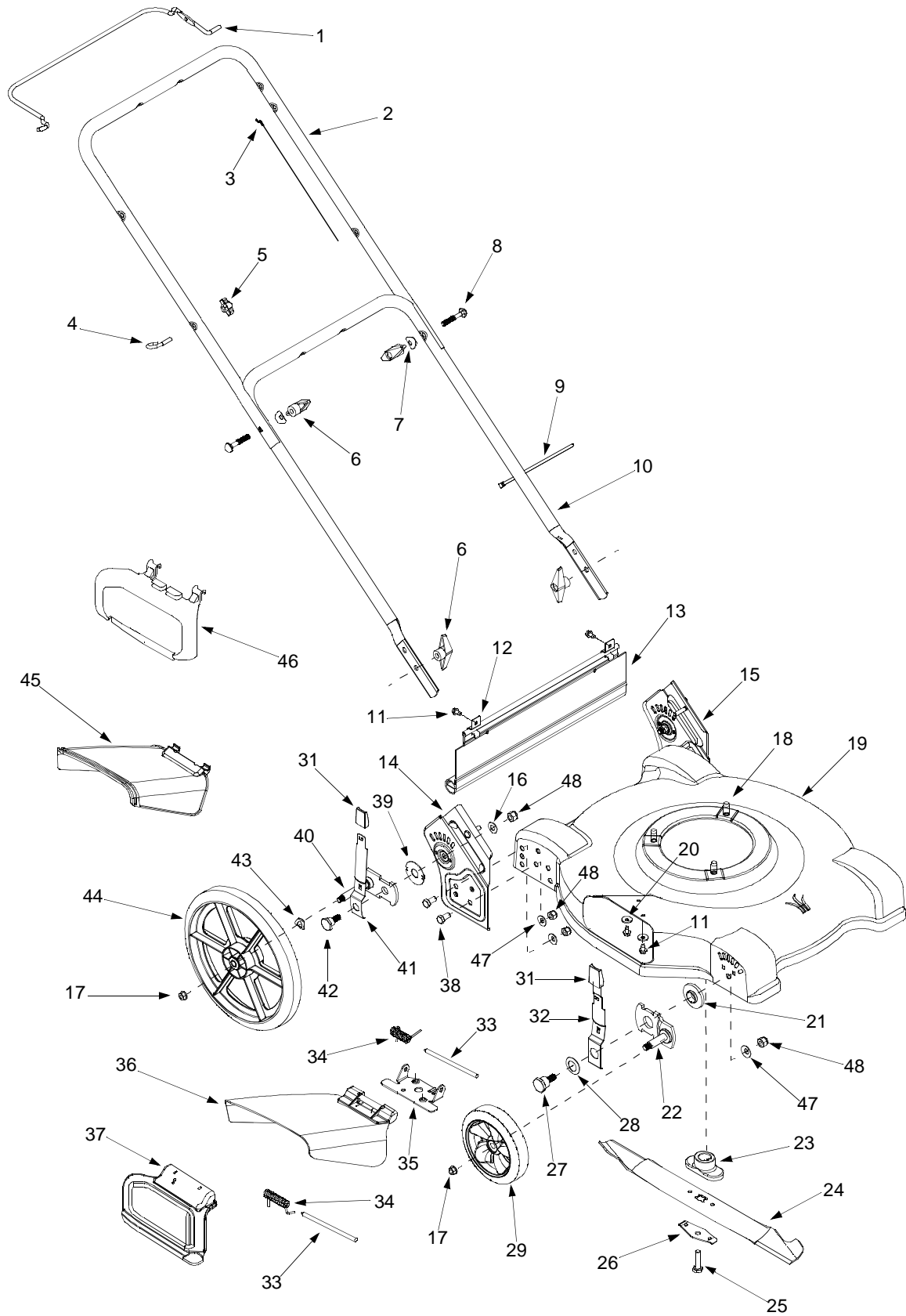


Model Series 500 Thru 519



Model Series 500 Thru 519

Ref. No.	Part No.	Part Description	Ref. No.	Part No.	Part Description
1.	747-1161A	Blade Control Handle	24.	742-0642A	Blade 22"
2.	749-1092A	Upper Handle		742-0742A	Mulching Blade 22" (If Equipped)
3.	746-0957	Blade Control Cable - B&S (37.25")	25.	710-1044	Hex Cap Screw 3/8-24 x 1.5
	746-1130	Blade Control Cable - B&S (40")	26.	736-0524A	Blade Bell Support
	746-1091	Blade Control Cable - Tec (50")	27.	738-1172	Shoulder Screw 3/8 - 16 x .302
4.	710-1205	Eye Bolt	28.	736-0741	Bell Washer .760 ID x 1.25 OD
5.	720-0279	Wing Nut	29.	734-1988	Front Wheel Assembly 7 x 1.8
6.	720-0284	Wing Nut	31.	720-0426	Height Adjuster Knob
7.	736-0451	Shoulder Washer .320 ID x .93 OD	32.	732-1026	Front Spring Lever
8.	710-1174	Carriage Bolt 5/16-18 x 2.0	33.	747-0710	Hinge Pin
9.	725-0157	Cable Tie	34.	732-1014	Torsion Spring
10.	749-1093B	Lower Handle	35.	731-1035B	Chute Hinge
11.	710-0896	Hex Screw 1/4-14 x .625	36.	731-1034B	Side Discharge Chute Assembly
12.	782-9065	Hinge Clip	37.	631-0098	Mulching Baffle(If Equipped)
13.	731-2280	Trail Shield	38.	710-0216	Hex Cap Screw 3/8-16 x .75
14.	682-3062A	Handle Bracket Assembly - RH	39.	741-0717	Thrust Bearing .688 ID x 1.938 OD
15.	682-3063A	Handle Bracket Assembly - LH	40.	682-0093	Rear Pivot Arm Assembly
16.	736-3050	Flat Washer .406 ID x .812 OD	41.	732-0984B	Rear Spring Lever
17.	712-0431	Lock Nut 3/8 -16	42.	738-1127	Shoulder Screw 3/8 - 16 x .442
18.	710-0654A	Hex Washer Screw 3/8-16 x 1.0	43.	736-0182	Spring Washer
19.	682-0094	Deck Assembly 22"	44.	734-1864	Rear Wheel Assembly 14 x 1.8
	682-0108	Deck Assembly 22" (No Sprigs)	45.	731-2230	Snap Discharge Chute (If Equipped)
20.	736-0270	Bell Washer .265 x .75	46.	731-1386D	Snap Mulching Plug (If Equipped)
21.	741-0751	Height Adjuster Bearing	47.	736-0105	Washer Spacer .401 ID x .870 OD
22.	682-0113	Pivot Arm Assembly	48.	712-0130	Hex Lock Nut 3/8-16
23.	748-0376C	Blade Adapter			