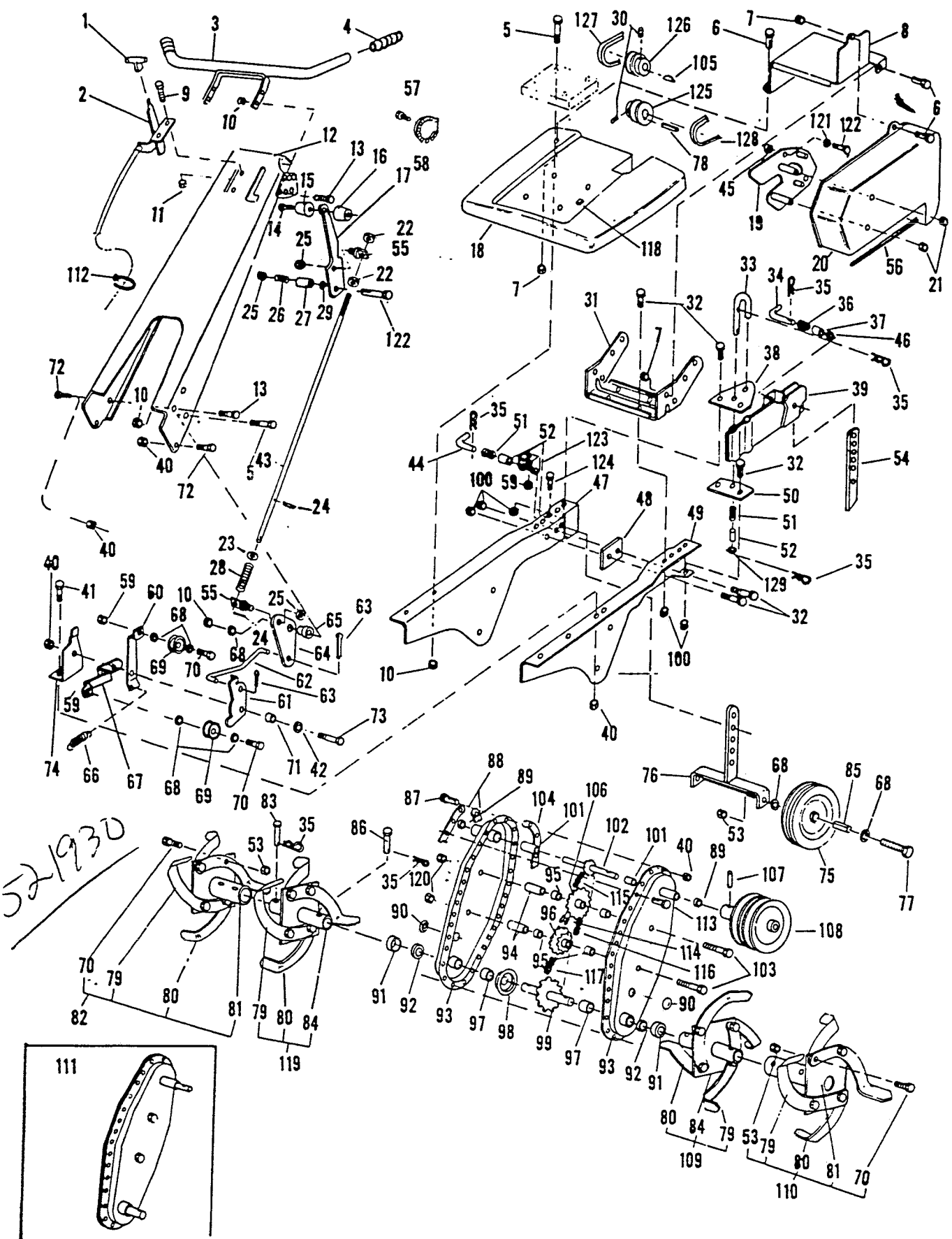


# 5 HP Chain Drive Tiller with Reverse 5040C (812-0354)



# 5 HP Chain Drive Tiller with Reverse

5040C  
(812-0354)

## Parts List

Ref. No.	Part No.	Description	Ref. No.	Part No.	Description
1	744227	Knob—Throttle Control	66	776807	Spring—Idler Return
2	780361	Control—Throttle	67	778415	Arm—Forward Idler
3	731216	Handle Bar Assembly	68	462309	Washer—3/8 Flat
4	751032	Grip—Handle	69	420745	Idler Pulley Assembly
5	150250	Bolt—Hex 5/16-18 x 1-1/2	70	715326	Bolt—3/8-16 x 1 Hex Black
6	152660	Bolt—1/4-20 x 1/2	71	467829	Spacer
7	715037	Nut—1/4-20 Keps	72	449587	Bolt—1/4-20 x 5/8
8	570630	Cover—Handle	73	459909	Bolt—Hex Hd. 1/4-20 x 1
9	458687	Screw—10-24 x 1/2 Hex	74	771006	Bracket—Idler Mounting
10	715490	Nut—5/16-18 Locking	75	497826	Wheel—10 x 1.75 x 1/2
11	715334	Nut—10-24 Hex Keps	76	773085	Wheel Bracket Assembly
12	570705	Handle Panel Assembly	77	459156	Bolt—Hex Hd. 3/8-16 x 3-1/4
13	450437	Bolt—5/16-18 x 5/8	78	446757	Key—3/16 Sq. x 2
14	458661	Bolt—Phillips 10-24 x 1-1/4	79	786475	Tine—Bolo, L.H.
15	744086	Knob—Plain	80	786699	Tine—Bolo, R.H.
16	744094	Knob—Threaded 10-24	81	788117	Hub Assembly—Outer
17	422212	Lever—Engagement	82	570390	Tine Assembly—R.H. Outer
18	570028	Tine Hood Assembly	83	488825	Pin—Clevis 3/8 x 3
19	464248	Plate Assembly—Belt Guide	84	788133	Hub Assembly—Inner
20	570002	Guard—Belt	85	468330	Spacer—Wheel
21	715078	Nut—1/4-20 Whizlock Flange	86	489823	Pin—Clevis
22	452425	Nut—R.H. Thread 5/16-18	87	715052	Bolt—1/4-20 x 1/2 Hex
23	462622	Washer	88	426015	Strap—Nut Plate
24	489393	Pin—Roll 1/8 x 3/4	89	774695	Seal—Input Shaft
25	451419	Nut—1/4-20 Flange	90	426379	Plug—Oil Fill
26	775072	Spring—Engagement Lever	91	762245	Cover—Tine Hub Seal
27	468801	Spacer	92	774547	Seal—Output Shaft
28	775080	Spring—Engagement Rod	93	432286	Weld Assy.—Transmission, R.H.
29	715409	Washer—Curved	94	432922	Sleeve
30	458844	Set Screw	95	423434	Bearing
31	447011	Channel—Handle Support	96	434662	Sprocket Assembly—Lower
32	458968	Bolt—Whizlock 3/8-16 x 1	97	423731	Bearing—Needle
33	488908	Pin—Pivot Depth Bracket	98	468033	Spacer—Tine Shaft
34	489930	Pin—Depth Bar Adj.	99	417501	Shaft Assembly—Output
35	715011	Hair Pin	100	715441	Nut—Twin Whizlock 3/8-16
36	775247	Spring—Depth Bar Adj.	101	423442	Bearing—Input Shaft
37	468090	Spacer—Depth Bar Adj.	102	417469	Shaft Assembly—Input
38	463349	Plate—Top Depth Bracket	103	453927	Bolt—Hex
39	770891	Depth Bracket Assembly—Pivot	104	762021	Gasket—Transmission Housing
40	715508	Nut—Hex 1/4-20 Locking	105	446773	Key—Woodruff
41	715045	Bolt—Hex 1/4-20 x 3/4	106	434696	Sprocket Assembly—Upper
42	462762	Washer	107	314062	Pin—Roll
43	783985	Rod—Engagement Lever	108	420919	Pulley Assembly—2 Groove
44	488874	Pin—Adj. Wheel	109	570408	Tine Assembly—L.H. Inner
45	468678	Spacer	110	570416	Tine Assembly—L.H. Outer
46	461731	Washer—Depth Bar Adj.	111	432310	Transmission Assembly
47	446955	Beam—Main Support R.H.	112	110379	Cable Tie
48	468058	Spacer—Main Support Beam	113	458943	Bolt—Hex 1/4-20 x 5/8
49	446930	Beam—Main Support L.H.	114	425124	Master Link No. 420
50	463364	Plate—Bottom Depth Bracket	115	425314	Chain—Roller, No. 35
51	775254	Spring—Wheel & Pivot Adj.	116	425421	Chain—Roller, No. 420
52	468108	Spacer—Wheel & Pivot Adj.	117	425348	Chain—Roller, No. 50
53	715086	Nut—Lock 3/8-16	118	446799	Protective Pad
54	435032	Depth Bar	119	570382	Tine Assembly—R.H. Inner
55	728295	Stud—Lever	120	715441	Nut—Keps 3/8-16
56	447177	Rubber Strip	121	715094	Washer—Lock
57	120048	Screw—Muffler Deflector	122	450379	Bolt—1/4-20 x 1-3/4
58	132142	Deflector—Muffler	123	447052	Channel—Wheel Adj.
59	715524	Nut—3/8-16 Center Lock Jam	124	458810	Bolt—Hex 3/8-16 x 5/8
60	778431	Arm—Reverse	125	420935	Forward Pulley
61	463323	Plate—Idler Pivot	126	420927	Reverse Pulley
62	783399	Rod—Control Idler	127	421339	Belt—Reverse
63	715029	Pin—Cotter	128	421321	Belt—Forward
64	464123	Bellcrank—Control Plate	129	461749	Washer—Wheel & Pivot Adj.
65	468066	Spacer—Bellcrank			