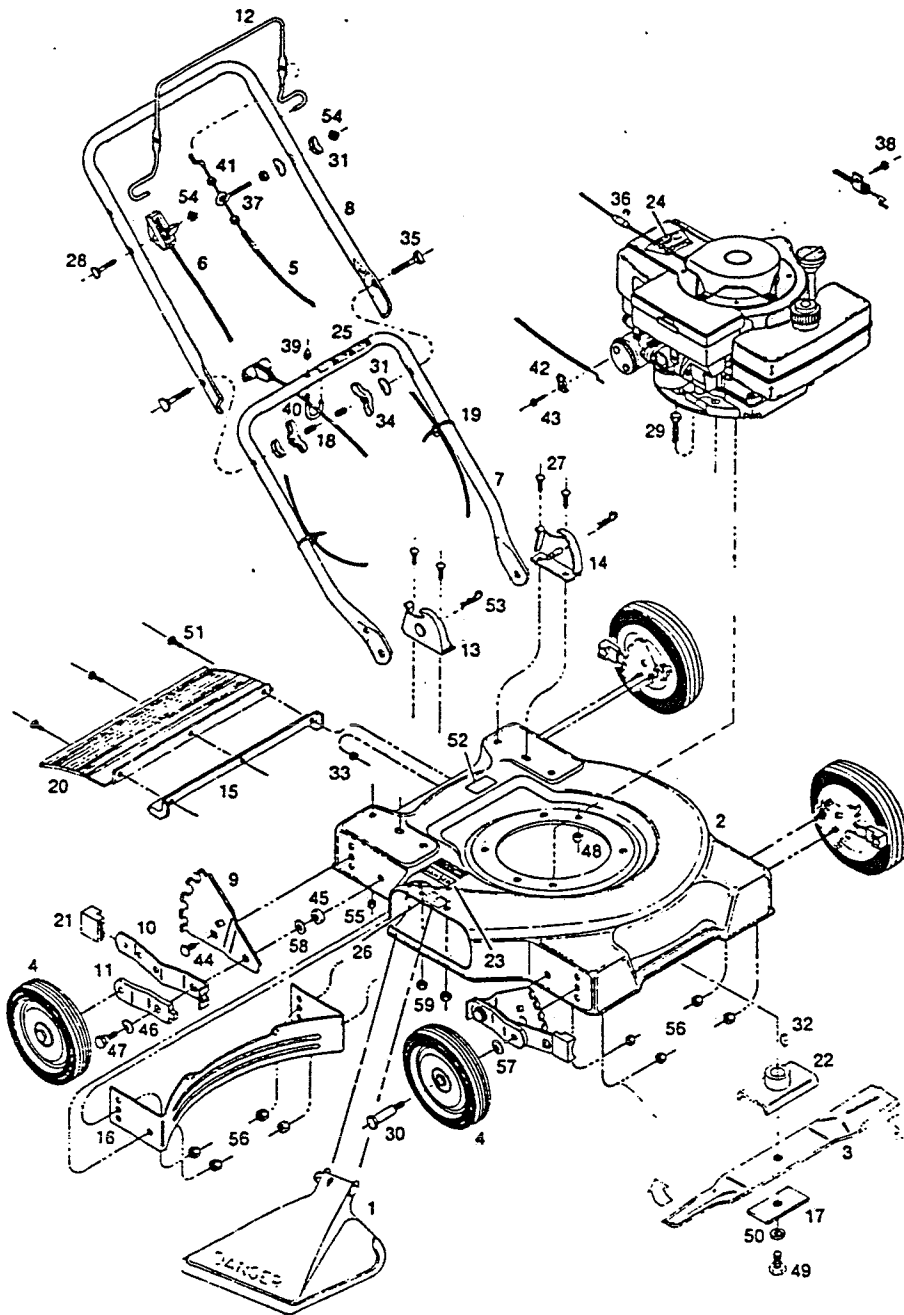


**MODEL 51B
20" ROTARY MOWER
Grass Catcher Model GC**



INDEX NO.	PART NO.	DESCRIPTION
1	028266	Chute Deflector Assembly *
2	028407	Deck-20"
3	030403	Blade 20"-Offset
4	040246	Wheel-7"
5	050344	Control Cable - Engine/Blade *
6	050385	Control-Throttle
7	071050	Handle-Lower
8	071076	Handle-Upper
9	090589	Back Plate-Height Adjuster
10	090613	Setting Lever-Height Adjuster
11	090712	Wheel Lever-Height Adjuster
12	104687	Control-Engine/Blade Crossbar *
13	105221	Handle Bracket-Right Hand
14	105239	Handle Bracket-Left Hand
15	105767	Trailing Shield Mounting Bracket *
16	105791	Baffle-Rear Only *
17	106005	Blade Washer-3"
18	110064	Bolt Cap
19	110379	Cable Tie
20	111252	Trailing Shield-Plastic *
21	111260	Plastic Tip-Height Adjuster
22	133140	Blade Adaptor
23	144063	Decal-CPSC Danger
24	144204	Decal-Blade Warning
25	144899	Decal-Starting Instructions
26	145425	Decal-Danger Install Chute Deflecto
27	150011	Bolt-Carriage 1/4 - 20 x 5/8 Gr-5
28	150029	Bolt-Curved Head 1/4 - 20-x 1 1/2
29	150045	Bolt-Hex Head 5/16 - 18 x 1 1/4
30	150060	Shoulder Bolt-Wheel
31	150201	Washer-Curved 5/16
32	150276	Woodruff Key No.6
33	150946	Locknut- 10-24 Hex Washer Head
34	151795	Wing Nut 5/16 - 18
35	151936	Bolt-Curved Head Crg. 5/16 - 18 x 2 1/4
36	152066	Staple-Rope Stop
37	152140	Eye Bolt-Cable Mounting
38	152157	Bolt-Hex Head 10-32 x 1/2
39	152207	Locknut 1/4 - 20 Acorn
40	152215	Rope Guide
41	152223	Nut 5/16 -24 Hex Jam
42	152231	Cable Clamp
43	152249	Bolt-Hex Washer Head 10-32 x 3/8
44	152405	Bolt-Carriage 3/8 - 16 x 3/4
45	152413	Washer Plastic - Height Adjuster
46	152421	Washer Spring - Height Adjuster
47	152587	Shoulder Bolt - Height Adjuster
48	310151	Locknut 5/16 - 18 Nylock
49	450288	Bolt-Blade 3/8 - 24 x 1 Gr-5
50	461475	Lockwasher- 3/8 Extra Duty
51	525337	Bolt-Hex Head 10-24 x 1/2
52	714170	Decal-Rating Plate
53	715011	Hitch Pin No. 3
54	715037	Locknut 1/4 - 20 Keps
55	715078	Locknut 1/4 - 20 Flanged Whiz
56	715086	Locknut 3/8 - 16 Top
57	715409	Washer Spring - Wheel
58	715417	Washer 3/8 SAE
59	715508	Locknut 1/4 - 20 Top

NOTE: Parts are right or left hand as viewed from operator position.
Approximate cutting Heights 5/8" to 2-5/8"
Specifications subject to change without prior notice.