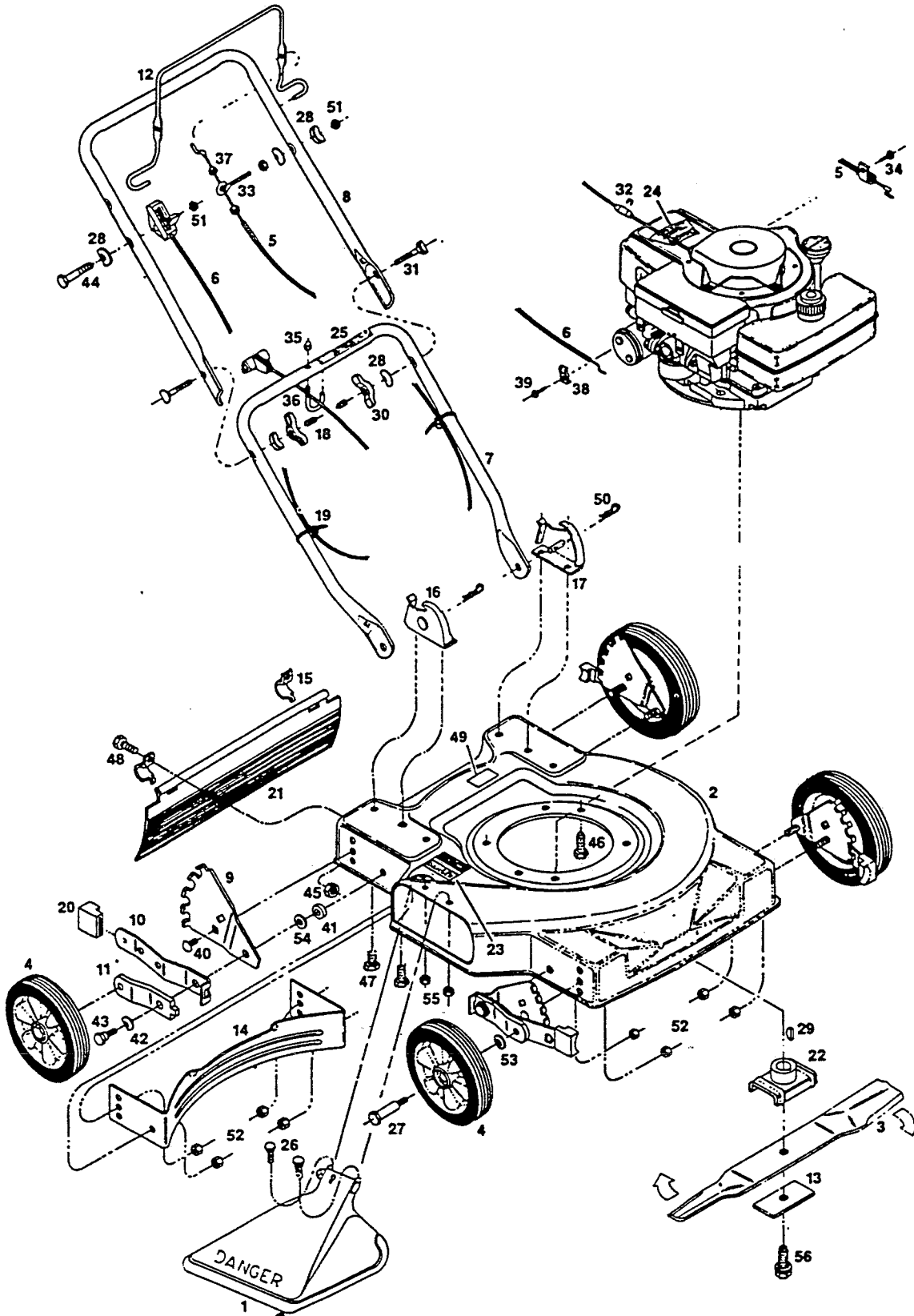


**Model 51C**  
**20" Rotary Mower**  
Grass Catcher GC-12 (Not Shown)



Model 51C

INDEX NO.	PART NO.	DESCRIPTION
1	028888	Chute Deflector Assembly*
2	028902	Deck-20"
3	030298	Blade 20"-Offset
4	040907	Wheel-7"
5	050344	Control Cable - Engine/Blade*
6	050633	Control - Throttle
7	071050	Handle-Lower
8	071076	Handle-Upper
9	090589	Back Plate-Height Adjuster
10	090613	Setting Lever-Height Adjuster
11	090712	Wheel Lever-Height Adjuster
12	104687	Control-Engine/Blade Crossbar*
13	106005	Blade Washer-3"
14	106625	Baffle-Rear Only*
15	106914	Clip - Trailing Shield
16	107086	Handle Bracket-Right Hand
17	107094	Handle Bracket-Left Hand
18	110064	Bolt Cap
19	110379	Cable Tie
20	111260	Plastic Tip-Height Adjuster
21	111617	Trailing Shield-Plastic*
22	126466	Blade Adapter-3"
23	144063	Decal-CPSC Danger
24	144204	Decal-Blade Warning
25	144899	Decal-Starting Instructions
26	150011	Bolt-Carriage 1/4-20 x 5/8 Gr-5
27	150060	Shoulder Bolt-Wheel
28	150201	Washer-Curved 5/16
29	150276	Woodruff Key No.6
30	151795	Wing Nut 5/16-18
31	151936	Bolt-Curved Head Crg. 5/16-18 x 2-1/4
32	152066	Staple-Rope Guide
33	152140	Eye Bolt-Cable Mounting
34	152157	Bolt-Hex Head 10-32 x 1/4
35	152207	Locknut 1/4-20 Acorn
36	152215	Rope Guide
37	152223	Nut 5/16-24 Hex Jam
38	152231	Cable Clamp
39	152249	Bolt-Hex Washer Head 10-32 x 3/8
40	152405	Bolt-Carriage 3/8-16 x 3/4
41	152413	Washer Plastic-Height Adjuster
42	152421	Washer Spring-Height Adjuster
43	153643	Shoulder Bolt-Height Adjuster
44	450379	Bolt-Hex Head 1/4-20 x 1-3/4
45	452318	Nut #10-24 HX Nylon Insrt.
46	457168	Bolt-Thread Forming-3/8-16 x 7/8
47	457499	Bolt-Thread Forming-1/4-20 x 1/2
48	525337	Bolt - Hex Head 10-24 x 1/2
49	714170	Decal-Rating Plate
50	715011	Hitch Pin No.3
51	715037	Locknut 1/4-20 Keps
52	715086	Locknut 3/8-16 Top
53	715409	Washer Spring-Wheel
54	715417	Washer 3/8 SAE
55	715508	Locknut 1/4-20 Top
56	152496	Bolt - Blade Hex HD Sems 3/8-24 x 1

NOTE: Parts are right or left hand as viewed from operator position.