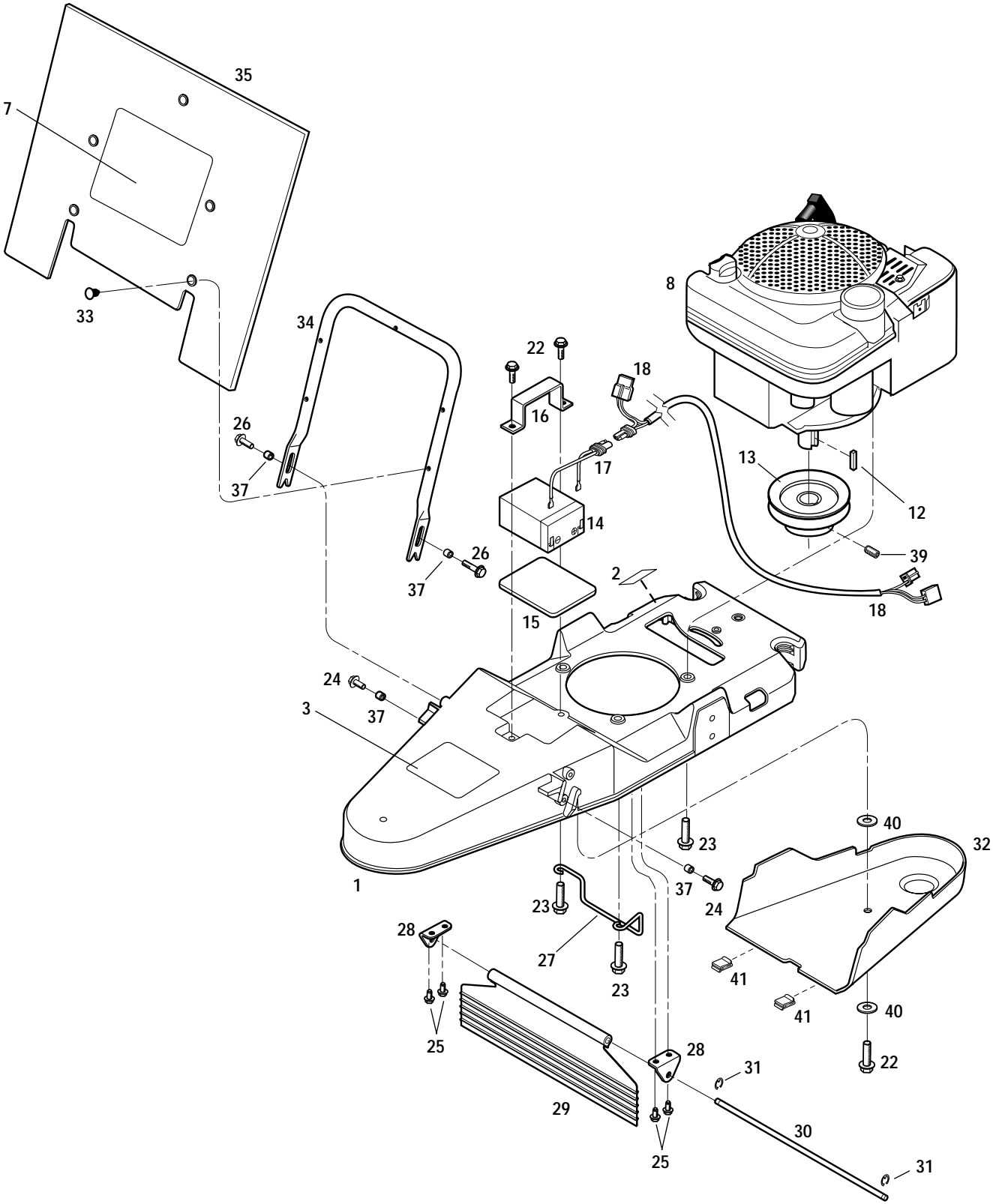


DRAWING NO. 1



## PARTS LIST – DRAWING NO. 1

| Ref. # | Part #     | Description                                | Qty. | Ref. # | Part #     | Description                              | Qty. |
|--------|------------|--|------|--------|------------|--|------|
| 1      | 1904421    | Deck (Incl. Refs. 2 and 3) .....           | 1    | 25     | 1909301    | Hex Hd. Flange Screw, 1/4-20 x 5/8 ..... | 4    |
| 2      | 1904511    | Decal-Hot Surface.....                     | 1    | 26     | 1763187    | Hex Hd. Flange Screw, 1/4-20 x 1.....    | 2    |
| 3      | 1918115    | Decal-Warning/Thrown Objects .....         | 1    | 27     | 1910865    | Belt Guide .....                         | 1    |
| 7      | 1918082    | Decal-Logo (A) .....                       | 1    | 28     | 1915219001 | Flap Bracket .....                       | 2    |
|        | 1918118    | Decal-Logo (B) .....                       | 1    | 29     | 1917154    | Deflector Flap.....                      | 1    |
| 8      | *          | Engine - Recoil Start (A) .....            | 1    | 30     | 1915212    | Deflector Flap Rod .....                 | 1    |
|        |            | Engine - Electric Start (B) .....          | 1    | 31     | 1185304    | E-Ring, 5/16" .....                      | 2    |
| 12     | 9301       | Key, 3/16" x 1" Sq. ....                   | 1    | 32     | 1915205    | Belt Cover .....                         | 1    |
| 13     | 1915240    | Pulley, 4" OD.....                         | 1    | 33     | 1918415    | Push-In Fastener .....                   | 5    |
| 14     | 1909647    | Battery (B) .....                          | 1    | 34     | 1915967    | Debris Guard Support.....                | 1    |
| 15     | 1915268    | Pad - Battery (B) .....                    | 1    | 35     | 1917765    | Debris Guard .....                       | 1    |
| 16     | 1915204001 | Bracket - Battery (B) .....                | 1    | 37     | 1915320    | Spacer .....                             | 4    |
| 17     | 1909697    | Battery Wire Connector (B).....            | 1    | 39     | 9677       | Set Screw .....                          | 1    |
| 18     | 1910835    | Keyswitch Wire Harness (B) .....           | 1    | 40     | 94018      | Washer .....                             | 2    |
| 22     | 90063      | Hex Hd. Flange Screw, 5/16-18 x 1** .....  | 3    | 41     | 9218       | Clip .....                               | 2    |
| 23     | 1768194    | Hex Hd. Flange Screw, 3/8-16 x 1-1/2 ..... | 3    |        |            |  |      |
| 24     | 1754128    | Hex Hd. Flange Screw, 1/4-20 x 3/4 .....   | 2    |        |            |  |      |

(A) Model 52066

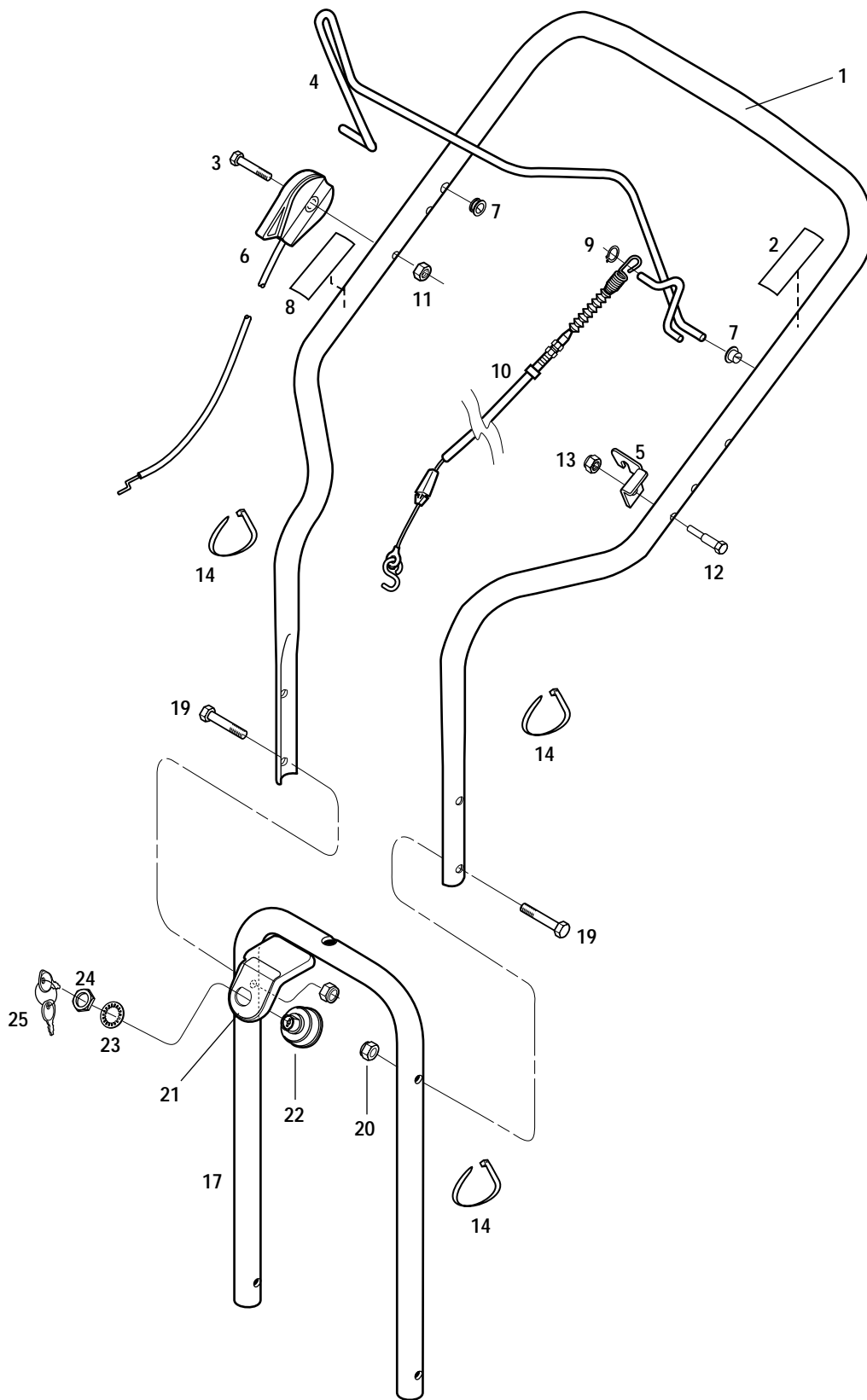
(B) Model 52070

\* Order parts from your local authorized engine dealer. Refer to engine for model/type number.

\*\*Model 52066 uses one screw; Model 52070 uses two screws.

N/I Not included with unit, order separately

DRAWING NO. 2



Models 52066/52070

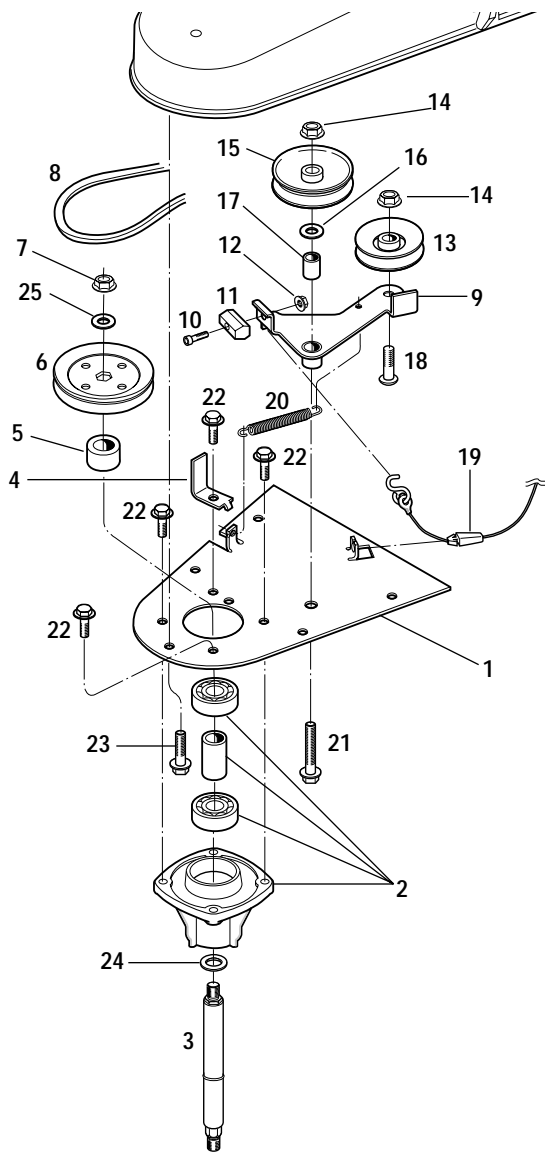
## PARTS LIST – DRAWING NO. 2

| Ref. # | Part #     | Description                               | Qty. | Ref. # | Part #     | Description                               | Qty. |
|--------|------------|---|------|--------|------------|---|------|
| 1      | 1915963    | Upper Handlebar (Incl. Refs. 2 & 8) ..... | 1    | 13     | 1185814    | Hex Flange Lock Nut, 1/4-20 .....         | 1    |
| 2      | 1915889    | Decal-Bail Operation .....                | 1    | 14     | 1763682    | Cable Tie .....                           | 3    |
| 3      | 1100807    | Hex Hd. Screw, 1/4-20 x 2 .....           | 1    | 17     | 1910809001 | Lower Handlebar (A) .....                 | 1    |
| 4      | 1917175    | Trimmer Head Control Bail .....           | 1    |        | 1904508    | Lower Handlebar (B) .....                 | 1    |
| 5      | 1749977001 | Cable Bracket .....                       | 1    | 19     | 1100799    | Hex Hd. Screw, 5/16-18 x 1-1/2, Gr. 5 ... | 2    |
| 6      | 1918081    | Throttle Control & Cable .....            | 1    | 20     | 1732499    | Lock Nut, 5/16-18 .....                   | 2    |
| 7      | 1908677    | Nyliner Bushing .....                     | 2    | 21     | 1904406    | Decal - Keyswitch (B) .....               | 1    |
| 8      | 1918304    | Decal-Throttle Settings .....             | 1    | 22     | 1900455    | Keyswitch (B) .....                       | 1    |
| 9      | 1908679    | Push Cap, .312 I.D. .....                 | 1    | 23     | 1187950    | Lockwasher, 5/8 (B) .....                 | 1    |
| 10     | 1910852    | Trimmer Head Control Cable .....          | 1    | 24     | 92018      | Hex Nut, 5/8-32 (B) .....                 | 1    |
| 11     | 1110106    | Hex Lock Nut, 1/4-20 .....                | 1    | 25     | 96520      | Key (B)                                   |      |
| 12     | 1983658    | Hex Hd. Screw, 1/4-20 x 1-1/8 .....       | 1    |        |            |   |      |

(A) Model 52066

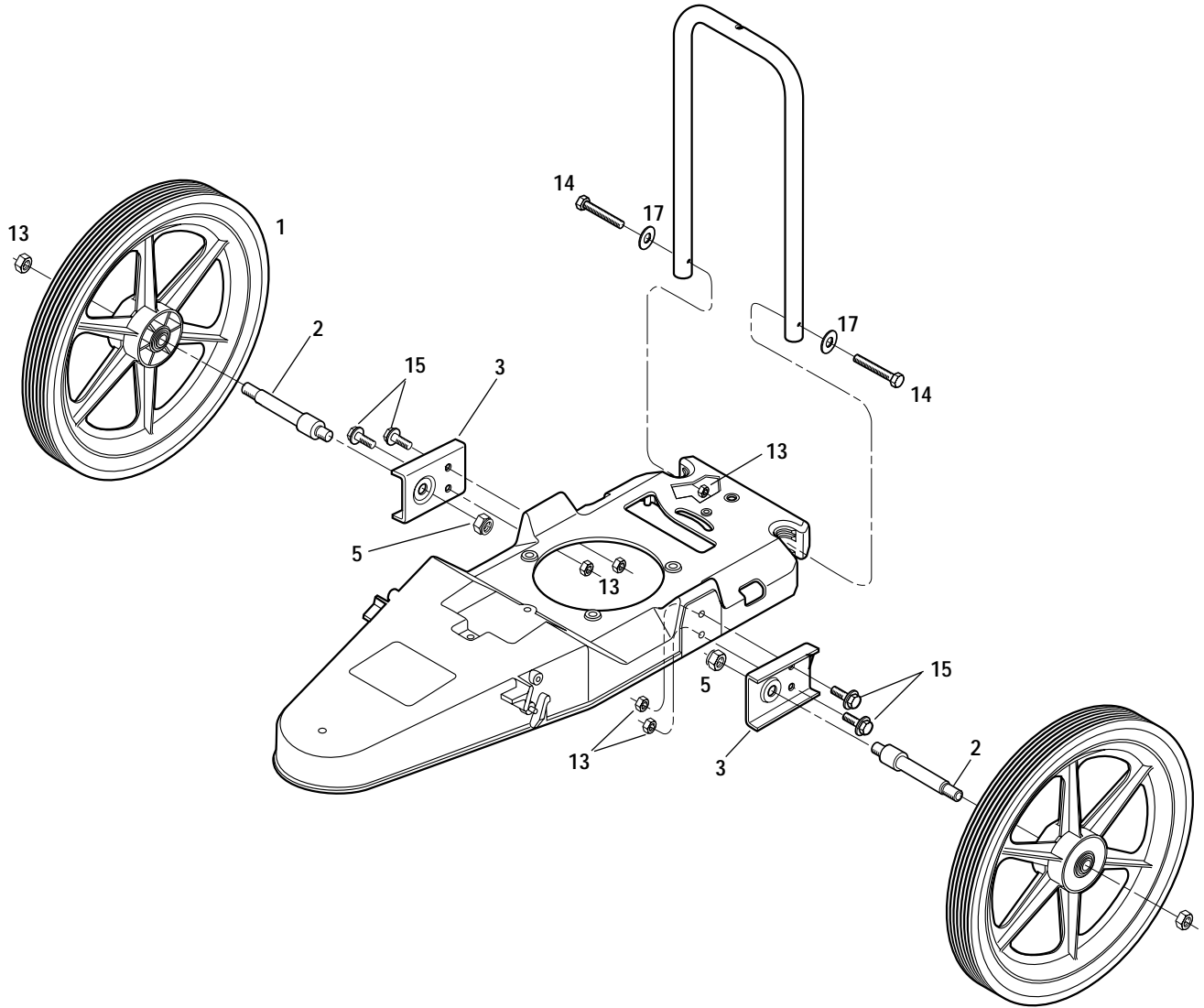
(B) Model 52070

DRAWING NO. 3



| Ref. # | Part #     | Description                               | Qty. | Ref. # | Part #  | Description   | Qty. |
|--------|------------|---|------|--------|---------|---|------|
| 1      | 1910850001 | Spindle Mounting Plate .....              | 1    | 14     | 1186393 | Hex Flange Nut, 3/8-16.....                           | 2    |
| 2      | 1769048    | Spindle Assembly.....                     | 1    | 15     | 1910855 | Flat Idler Pulley.....                                | 1    |
| 3      | 1915477    | Spindle Shaft Assembly (Incl. Ref. 25)... | 1    | 16     | 1915261 | Washer, .88 x .382 x .275 .....                       | 1    |
| 4      | 1910860001 | Belt Guide.....                           | 1    | 17     | 1910854 | Idler Arm Spacer .....                                | 1    |
| 5      | 1910856    | Spindle Spacer .....                      | 1    | 18     | 1910857 | Button Head Screw, 3/8-16 x 1-1/2 .....               | 1    |
| 6      | 1910842    | Spindle Pulley.....                       | 1    | 19     | 1910852 | Control Cable (also Ref. 13, Pg. 4).....              | 1    |
| 7      | 1904308    | Hex Flange Nut, 1/2-13.....               | 1    | 20     | 1910849 | Idler Tension Spring.....                             | 1    |
| 8      | 1915555    | V-Belt .....                              | 1    | 21     | 1910858 | Hex Flange Screw, 3/8 x 16 x 2-1/4.....               | 1    |
| 9      | 1904479    | Idler Arm/Brake Shoe Assembly.....        | 1    | 22     | 1909304 | Hex Flange Screw, 5/16-18 x 3/4.....                  | 4    |
| 10     | 1910859    | Socket Hd Capscrew, 10-24 x 3/4 .....     | 1    | 23     | 90063   | Hex Flange Screw, 5/16-18 x 1.....                    | 5    |
| 11     | 1910847    | Brake Shoe .....                          | 1    | 24     | 9953    | Hardened Shim, 3/4 ID x 1.022 OD<br>x .060 thick..... | 1    |
| 12     | 1983039    | Hex Lock Nut, 10-24 .....                 | 1    | 25     | 9928    | Belleville Washer, 5/8.....                           | 1    |
| 13     | 1727978    | V-Groove Idler Pulley .....               | 1    |        |         |   |      |

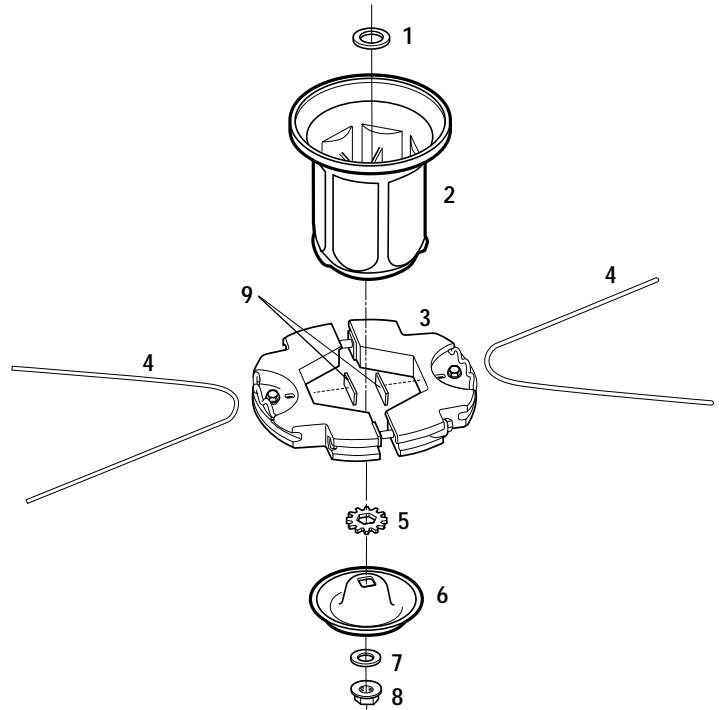
DRAWING NO. 4



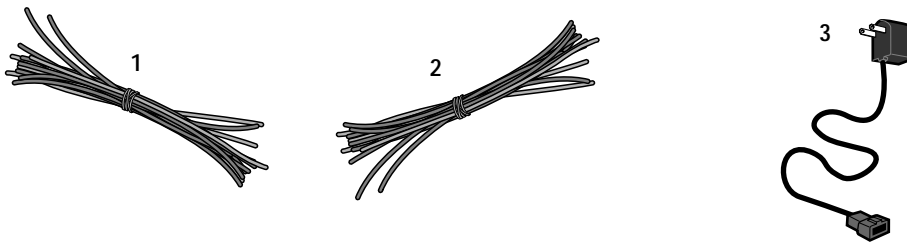
| Ref. # | Part #  | Description                  | Qty. | Ref. # | Part #  | Description                         | Qty. |
|--------|---------|------------------------------|------|--------|---------|-------------------------------------|------|
| 1      | 1917778 | Wheel - 6 spoke .....        | 2    | 14     | 1111606 | Hex Head Bolt, 5/16-18 x 2 .....    | 2    |
| 2      | 1915823 | Wheel Stud .....             | 2    | 15     | 1186331 | Hex Flange Screw, 5/16-18 x 1 ..... | 4    |
| 3      | 1915824 | Wheel Mounting Bracket ..... | 2    | 17     | 9901    | Washer, 5/16 ID .....               | 2    |
| 5      | 1733398 | Top Lock Nut, 3/8-16 .....   | 2    |        |         |                                     |      |
| 13     | 1744708 | Hex Lock Nut, 5/16-18 .....  | 8    |        |         |                                     |      |

DRAWING NO. 5

| Ref. # | Part #     | Description  | Qty. |
|--------|------------|--|------|
| 1      | 1910863    | Shoulder Washer.....   | 1    |
| 2      | 1910861    | Spindle Head .....   | 1    |
| 3      | 1918879    | Trimmer Head .....   | 1    |
| 4      | --         | Trimmer String (see Refs. 1 and 2 below) .....                             | --   |
| 5      | 1910862    | Hex Spline Washer .....  | 1    |
| 6      | 1915220001 | Wear Cup .....   | 1    |
| 7      | 1915239    | Washer.....  | 1    |
| 8      | 1904308    | Hex Flange Nut, 1/2-13.....  | 1    |
| 9      | 1918332    | Rubber Shim Kit (2 shims). Affixed to two inner walls of trimmer head..... | 1    |



ACCESSORIES AND KITS



| Ref. # | Part #  | Description   | Qty. |
|--------|---------|---|------|
| 1      | 1904476 | Trimmer String Kit, .155" (includes 24 pieces)..... | N/I  |
| 2      | 1904477 | Trimmer String Kit, .130" (includes 24 pieces)..... | N/I  |
| 3      | 1768449 | Battery Charger (for electric start model)          | 1    |

N/I Not included with unit, order separately