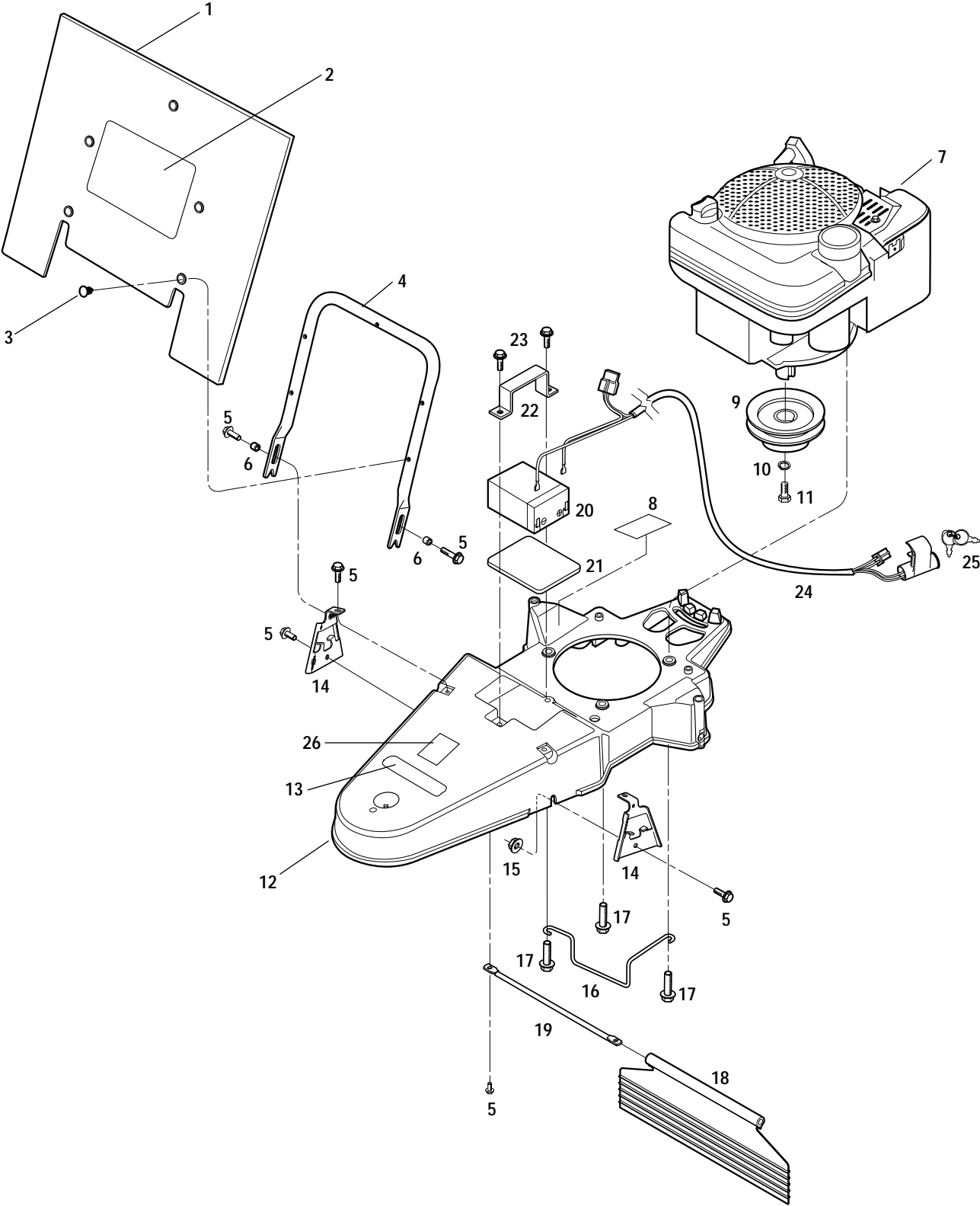


DRAWING NO. 1



PARTS LIST – DRAWING NO. 1

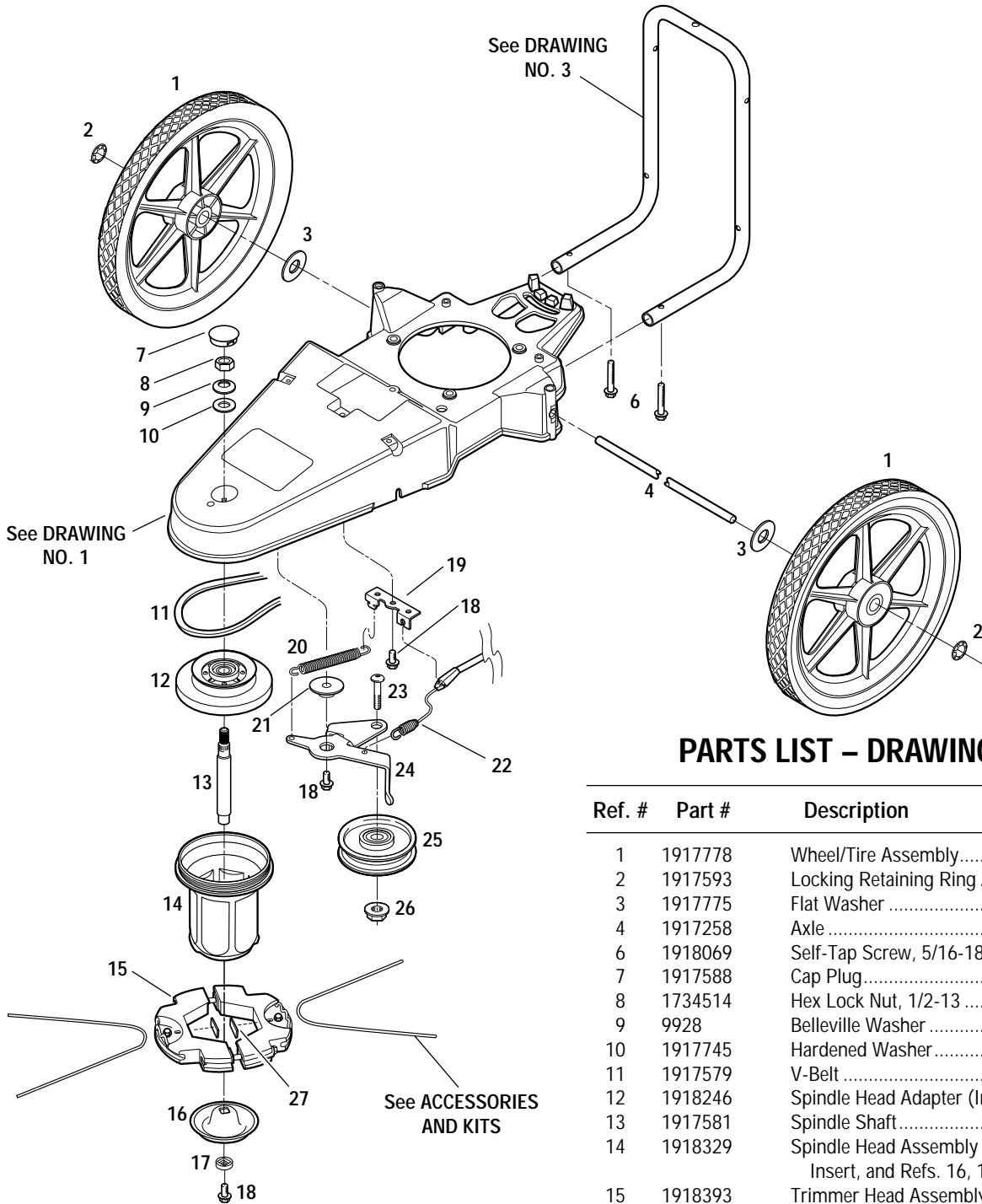
| Ref. # | Part # | Description | Qty. | Ref. # | Part # | Description | Qty. |
|--------|------------|--|------|--------|------------|---|------|
| 1 | 1917765 | Debris Guard | 1 | 15 | 1186389 | Flange Lock Nut, 1/4-20 | 2 |
| 2 | 1918741 | Decal-Logo | 1 | 16 | 1917574 | Belt Guide | 1 |
| 3 | 1918415 | Push-in Fastener | 5 | 17 | 1768194 | Hex Hd. Screw, 3/8-16 x 1-1/2 | 3 |
| 4 | 1917407001 | Debris Guard Support | 1 | 18 | 1917154 | Deflector Flap | 1 |
| 5 | 1754128 | Hex Flange Screw, 1/4-20 x 3/4 | 8 | 19 | 1917155 | Rod | 1 |
| 6 | 9534 | Spacer | 2 | 20 | 1909647 | Battery (A) | 1 |
| 7 | * | Engine | 1 | 21 | 1915268 | Battery Pad (A) | 1 |
| 8 | 1903584 | Decal-Hot Surface Warning | 1 | 22 | 1915204001 | Battery Clamp (A) | 1 |
| 9 | 1917728 | Engine Pulley | 1 | 23 | 90063 | Hex Flange Screw (A), 5/16-18 x 1 | 2 |
| 10 | 1100243 | Spring Lock Washer | 1 | 24 | 1918055 | Wire Harness (A) | 1 |
| 11 | 1100009 | Hex Hd. Screw, 3/8-24 x 1, Grade 5 | 1 | 25 | 96520 | Ignition Key (A) | 2 |
| 12 | 1918814 | Deck (Incl. Refs. 13 & 26) | 1 | 26 | 1916424 | Decal - Warning | 1 |
| 13 | 1903588 | Decal-Warning | 1 | -- | 1904534 | Muffler Guard | 1 |
| 14 | 1917144001 | Hood Bracket | 2 | -- | 1983662 | Screw (for Muffler Guard) | 2 |

(A) Model 52069

(B) Model 52068

* Order parts from your local authorized engine dealer. Refer to engine for model/type number.

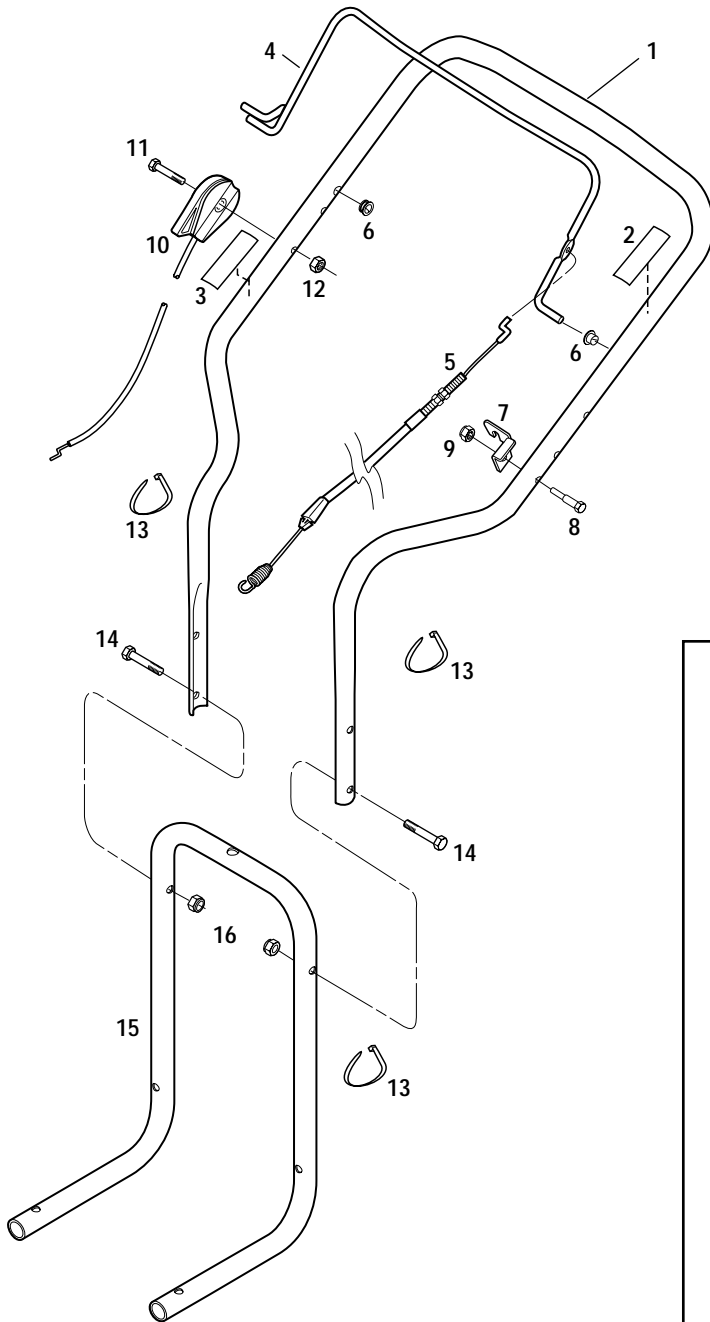
DRAWING NO. 2



PARTS LIST – DRAWING NO. 2

| Ref. # | Part # | Description | Qty. |
|--------|------------|--|------|
| 1 | 1917778 | Wheel/Tire Assembly..... | 2 |
| 2 | 1917593 | Locking Retaining Ring..... | 2 |
| 3 | 1917775 | Flat Washer..... | 2 |
| 4 | 1917258 | Axle..... | 1 |
| 6 | 1918069 | Self-Tap Screw, 5/16-18 x 2..... | 2 |
| 7 | 1917588 | Cap Plug..... | 1 |
| 8 | 1734514 | Hex Lock Nut, 1/2-13..... | 1 |
| 9 | 9928 | Belleville Washer..... | 1 |
| 10 | 1917745 | Hardened Washer..... | 1 |
| 11 | 1917579 | V-Belt..... | 1 |
| 12 | 1918246 | Spindle Head Adapter (Incl. Bearing)..... | 1 |
| 13 | 1917581 | Spindle Shaft..... | 1 |
| 14 | 1918329 | Spindle Head Assembly (Incl. Bearing, Insert, and Refs. 16, 17, 18)..... | 1 |
| 15 | 1918393 | Trimmer Head Assembly (Incl. Ref. 27)..... | 1 |
| 16 | 1915220001 | Wear Cup..... | 1 |
| 17 | 1917599 | Square Washer..... | 1 |
| 18 | 1724491 | Self-Tap Screw, 5/16-18 x 3/4..... | 3 |
| 19 | 1917781 | Cable Bracket..... | 1 |
| 20 | 1910849 | Idler Spring..... | 1 |
| 21 | 1917746 | Flat Washer..... | 1 |
| 22 | 1917589 | Control Cable - Trimmer Head..... | 1 |
| 23 | 1910857 | Button Hd. Screw, 3/8-16 x 1-1/2..... | 1 |
| 24 | 1917782 | Idler Arm..... | 1 |
| 25 | 1910855 | Idler Pulley..... | 1 |
| 26 | 1186393 | Flange Lock Nut, 3/8-16..... | 1 |
| 27 | 1918332 | Rubber Shim Kit (2 shims per kit)..... | 1 |

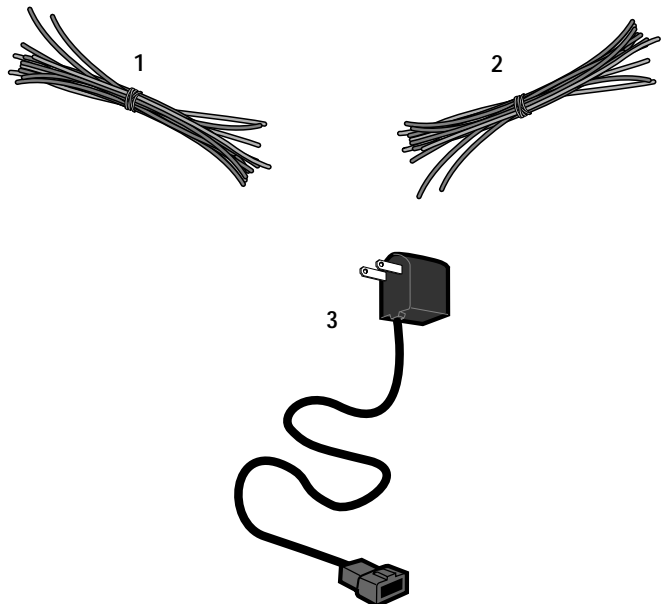
DRAWING NO. 3



PARTS LIST – DRAWING NO. 3

| Ref. # | Part # | Description | Qty. |
|--------|------------|---|------|
| 1 | 1918283 | Upper Handlebar (Incl. Refs. 2 & 3) | 1 |
| 2 | 1915889 | Decal–Bail Engage/Disengage | 1 |
| 3 | 1918304 | Decal–Throttle | 1 |
| 4 | 1918070001 | Control Bail–Trimmer Head | 1 |
| 5 | 1917589 | Cable Assembly–Trimmer Head | 1 |
| 6 | 1908677 | Bushing | 2 |
| 7 | 1749977001 | Cable Bracket | 1 |
| 8 | 1983658 | Hex Hd. Screw, 1/4-20 x 1-1/8 | 1 |
| 9 | 1185814 | Hex Flange Lock Nut, 1/4-20 | 1 |
| 10 | 1918081 | Throttle Lever & Cable Assembly | 1 |
| 11 | 1100807 | Hex Hd. Screw, 1/4-20 x 2 | 1 |
| 12 | 1110106 | Hex Lock Nut, 1/4-20 | 1 |
| 13 | 1763682 | Cable Tie..... | 3 |
| 14 | 1100799 | Hex Hd. Screw, 5/16-18 x 1-1/2 | 2 |
| 15 | 1917145001 | Handlebar Support | 1 |
| 16 | 1732499 | Hex Lock Nut, 5/16-18 | 2 |

ACCESSORIES AND KITS



| Ref. # | Part # | Description | Qty. |
|--------|---------|---|------|
| 1 | 1904476 | Trimmer String Kit, .155" diameter line (24 pieces) | N/I |
| 2 | 1904477 | Trimmer String Kit, .130" diameter line (24 pieces) | N/I |
| 3 | 1902274 | Battery Charger (for electric start model) . | 1 |

N/I Not included with unit, order separately.