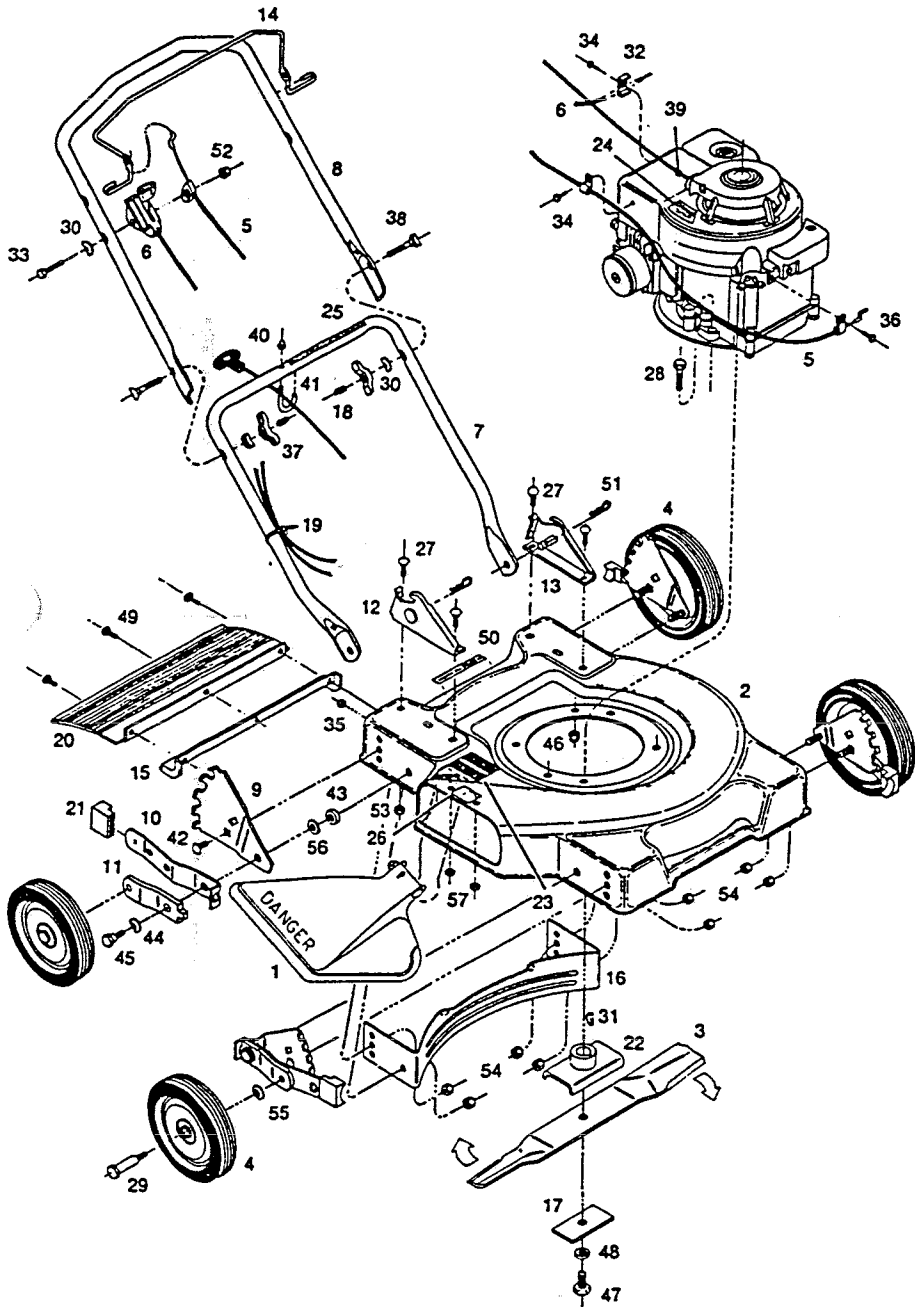


MODEL: 53B
22" ROTARY MOWER
 Grass Catcher Model GC-12



INDEX NO.	PART NO.	DESCRIPTION
1	028266	Chute Deflector Assembly*
2	028415	Deck - 22"
3	030429	Blade - 22" - Offset
4	041111	Wheel - 8"
5	050500	Control Cable - Engine/Blade*
6	050542	Control - Throttle
7	071050	Handle - Lower
8	071142	Handle - Upper
9	090589	Back Plate - Height Adjuster
10	090613	Setting Lever - Height Adjuster
11	090712	Wheel Lever - Height Adjuster
12	104661	Handle Bracket - Right Hand
13	104679	Handle Bracket - Left Hand
14	104745	Control - Engine/Blade Crossbar*
15	105767	Trailing Shield Mounting Bracket*
16	105791	Baffle - Rear Only*
17	106005	Blade Washer - 3"
18	110064	Bolt Cap
19	110379	Cable Tie
20	111252	Trailing Shield - Plastic*
21	111260	Plastic Tip - Height Adjuster
22	133140	Blade Adaptor
23	144063	Decal - C.P.S.C. Danger
24	144204	Decal - Blade Warning
25	144899	Decal - Starting Instructions
26	145425	Decal - Danger Install Chute Deflector
27	150011	Bolt - Carriage 1/4-20x3/4 Gr 5
28	150045	Bolt - Hex HD 5/16x18x1 1/4
29	150060	Shoulder Bolt - Wheel
30	150201	Washer - Curved 5/16
31	150276	Woodruff Key No. 6
32	150318	Cable Clamp
33	150433	Bolt - Hex HD 1/4-20x2
34	150623	Screw - Hex HD Sht Metal 10x3/4
35	150946	Locknut - 10-24 Hex Washer HD
36	151613	Bolt - Hex HD Sems 10-32x3/4
37	151795	Wing Nut 5/16-18
38	151936	Bolt - Curved HD Crg 5/16-18x2 1/4
39	152074	Rope Stop
40	152207	Locknut - 1/4-20 Acorn
41	152215	Rope Guide
42	152405	Bolt - Carriage 3/4-16x3/4
43	152413	Washer - Plastic - Height Adjuster
44	152421	Washer - Spring - Height Adjuster
45	152587	Shoulder Bolt - Height Adjuster
46	310151	Locknut - 5/16-18 Nylock
47	450288	Bolt - Blade 3/4-24x1 Gr 5
48	461475	Lockwasher - 3/4 Extra Duty
49	525337	Bolt - Hex Head 10-24x1/2
50	714170	Decal - Rating Plate
51	715011	Hitch Pin No. 3
52	715037	Locknut - 1/4-20 Keps
53	715078	Locknut - 1/4-20 Flanged Whiz
54	715086	Locknut - 3/4-16 Top
55	715409	Washer - Spring - Wheel
56	715417	Washer - 3/4 SAE
57	715508	Locknut - 1/4-20 Top

NOTE: Parts are right or left hand as viewed from operator position.
 Approximate cutting heights 1 1/4" to 3 1/4".
 Specifications subject to change without prior notice.